

TESY

It's impressive

- EN** **ELECTRIC FIREPLACE** 2-7
Installation, Operation and Storage Manual
- BG** **ЕЛЕКТРИЧЕСКА КАМИНА** 8-14
Инструкция за инсталация, експлоатация и съхранение
- RO** **ȘEMINEU ELECTRIC** 15-20
Instrucțiuni de instalare, operare și depozitare
- HR** **ELEKTRIČNI KAMIN** 21-26
Upute za instalaciju, rad i pohranu
- GR** **ΗΛΕΚΤΡΙΚΟ ΤΖΑΚΙ** 27-33
Οδηγίες εγκατάστασης, λειτουργίας και αποθήκευσης
- ES** **CHIMENEA ELÉCTRICA** 34-39
Manual de instalación, operación y mantenimiento
- PT** **LAREIRA ELÉTRICA** 40-46
Manual do utilizador para instalação, exploração e armazenamento
- RU** **ЭЛЕКТРИЧЕСКИЙ КАМИН** 47-52
Инструкция для инсталляции, эксплуатации и хранения
- LT** **ELEKTRINIS ŽIDINYS** 53-58
Įrengimo, veikimo ir laikymo instrukcija
- LV** **ELEKTRISKAIS KAMĪNS** 59-64
Instalācijas, ekspluatācijas un uzglabāšanas instrukcija
- PL** **KOMINEK ELEKTRYCZNY** 65-71
Instrukcja obsługi, użytkowania i przechowywania
- RS** **ЕЛЕТРИЧНИ КАМИН** 72-77
Упутство за инсталацију, рад и складиштење
- UA** **ЕЛЕКТРИЧНИЙ КАМИН** 78-83
Інструкція з установки, експлуатації та зберігання
- EE** **ELEKTRILINE KAMIN** 84-89
Paigaldus-, kasutus- ja hoidmisjuhend
- MK** **ЕЛЕКТРИЧНИ КАМИН** 90-95
Упатство за инсталација, функционирање и складирање



WEF200SRELW TR

220-240V~ 50Hz 1000/2000W



Please read this manual before operating the appliance and keep it at a safe place for future reference. In case the appliance is obtained by a new owner, it should be transferred together with its manual.

Thank you for choosing electric fireplace - WEF200SRELW TR. This is a product providing heating in winter in power ranges of 1000W or 2000W, depending on the consumers' needs for comfortable room temperature. If operated and taken care of properly in accordance with these instructions, the appliance will provide you with many years of useful operation.

IMPORTANT SAFETY MEASURES AND PRECAUTIONS:

- This appliance shall be used only for the purpose it has been designed and intended for, i.e. heating of domestic premises. The appliance is not intended for commercial purposes. Every other use is to be considered improper, and therefore dangerous. The manufacturer doesn't bear responsibility for damages arising from improper and irrational use. Non-adherence to these instructions would render the warranty invalid!



Children under 3 years of age should be kept away from the appliance unless they are under constant supervision.

Children from 3 to 8 years of age are allowed to operate the on/off button ONLY, provided that the appliance is installed and ready for operation and such children have been supervised and instructed in safe operation of the appliance and they understand all related risks.

Children from 3 to 8 years of age MUST NOT: connect the plug to power sockets, make adjustments, clean it or carry out user maintenance operations.

This appliance can be used by children older than 8 years of age and by people with reduced physical, sensor and mental capabilities, as well as by people with insufficient experience and knowledge provided they are supervised or instructed in safe operation of the appliance and understand the related risks. Children should not be allowed to play with the appliance. Cleaning and user maintenance operations must not be carried out by children without supervision.



Some of the appliance parts may get very hot during operation and thus cause burns to users. In case there are children and vulnerable people in the room, special attention should be paid.

- Before switching on the appliance, check if the voltage indicated on its technical plate corresponds to the voltage of the electricity supplied to your place.
- Do not leave your place while the appliance is operating: ensure that the power switch knob is switched to OFF position. Always disconnect the power plug from the socket.
- Keep inflammable objects, such as furniture, pillows, bedding, paper, clothes, curtains, etc. at a distance of at least 100 cm away of the electric fireplace.
- Do not operate the appliance in areas of use or storage of combustible substances. Do not operate the appliance in areas of combustible media (for example in close proximity to inflammable gases or aerosols) – there is great risk of explosion and fire!
- Do not insert and do not allow foreign objects to enter the ventilation openings (inlet and outlet) because this will cause electric shock, fire or will damage the appliance.
- This appliance is not suitable for animal breeding and it is intended for domestic use only!

- The most common cause of overheating is fluff and dust deposits in the appliance. Clean the ventilation openings regularly with a vacuum cleaner. Before that disconnect the power plug from the mains.
- Never touch the appliance with damp or wet hands – this may be dangerous to for your life!
- The power socket must be easily accessible all the time in case the power plug has to be disconnected as fast as possible! Never pull the power cord or the appliance itself in order to disconnect it from the mains.
- **ATTENTION!** Outgoing air gets hot during operation (up to more than 100°C).
- If the power cord of this appliance gets damaged, stop its operation and call its supplier/retailer for additional instructions.
- If the appliance is damaged or does not work properly, stop it and do not repair it yourself. For any kind of repairs call for assistance an after-sale service centre. This is the place where you will have your broken part replaced with an original one. Non-adherence to this instruction will compromise the appliance safety.
- If you decide to stop using such kind of appliance, it is advisable to render it unusable by cutting its power cord after disconnecting it from the mains. It is advisable all possible risks related to the appliance to be secured, especially in relation to children that may play with out-of-use appliances.
- Never keep the appliance unnecessarily switched on. Disconnect it from the power socket when you do not intend to use it for a long period of time.
- The appliance should not be placed right under a socket.
- **Warning:** Do not use this appliance with a programming device, counter or any other device which can automatically switch it on because if the appliance is covered or improperly positioned this may cause fire.
- Position the power cord in such a way that it does not obstruct the free movement of people and cannot be stepped on! Use only approved extension cords which are suitable for this appliance, i.e. have got a conformity sign!
- Do not bend the power cord and do not stretch it over sharp edges, do not position it over hot plates or open flames!
- Never use the electric fireplace in close proximity to a bathroom, a shower cabin or a swimming pool!
- Do not lift the fireplace by the front glass.

PACKING

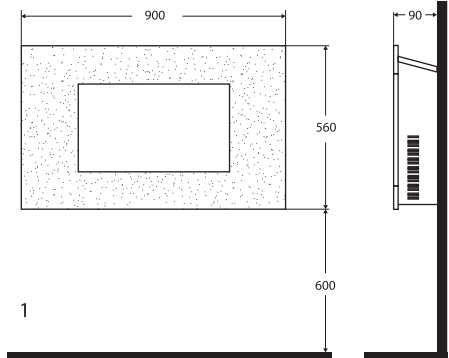
- After unpacking the appliance, check if all its elements are included in the packing and that it has not been damaged during transportation! In case damage or incomplete delivery is found, contact your authorized retailer!
- Do not throw away the original packing! It could be used for storage and transportation purposes in order to avoid damages during transportation!
- Disposal of packing materials should be done in the appropriate way! Children should be prevented from playing with polyethylene bags!

INSTALLATION INSTRUCTIONS

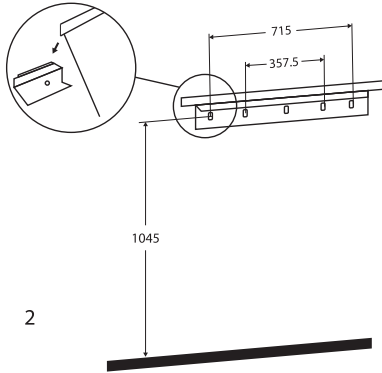


The electric fireplace is intended only for wall-mounted operation!

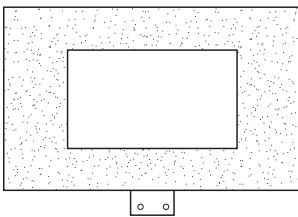
- The fixed elements in the packing are of small size and they should be kept away from small children. We recommend all elements to be put in a small box and to be stored away from children.
- Small children should be prevented from playing with polyethylene bags – there is risk from suffocation. We recommend disposing of them right after emptying them.
- Do not connect the electric fireplace until it has been well-mounted to the wall and you have read all important instructions above.
- The minimum distances in front of, above and under the fireplace shall be observed as indicated above and shown below.
- During mounting you should be careful about not damaging the cables in the walls. Please pay attention when drilling holes in the walls. Danger from electric shock!
- The appliance is designed to be permanently wall-mounted at height of minimum 300 mm from the floor. The bearing clamp shall be in horizontal position. The power cord is in the bottom right corner of the fireplace.



- A height of 600 mm from the floor is recommended for optimal visualization of the flame effect (see Fig. 1 for recommended dimension for mounting).
- For optimal visualization, mark the positions of the top 5 screws for wall-mounting in accordance with the recommended dimension for mounting (see Fig. 2. Openings with 6 mm drill bits).



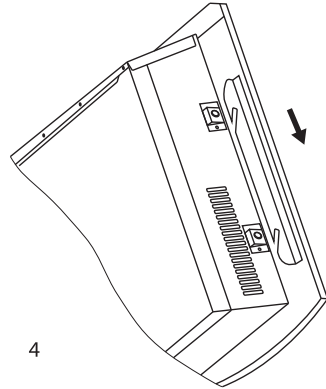
- Mount the bearing clamp to the wall by the screws.
- Carefully lift the fireplace upwards so that the upper rear edge of the fireplace to lie over the bearing plate fixed on the wall (see Fig. 2.) and position it centrally.
- Carefully press the fireplace to the wall.
- Mark the position of the bottom openings (see Fig. 3), remove the fireplace, ensuring that the lower mounting plate is turned and will not be an obstacle.



3

- Drill the openings for the bottom holes and fix on the wall.
- Place the fireplace on the bearing clamp, fixed on the wall, and turn the clamp to fix the lower part. Use the securing screw to permanently mount the fireplace to the wall and to protect it from unhooking.

- Unpack the log from the polyethylene bag and place them along the light-emitting element in the configuration and position you wish.
- Place the front glass ensuring that each pair of grooves from both sides are properly aligned towards to supporting axes (see Fig.4). Usually two people can accomplish this operation.



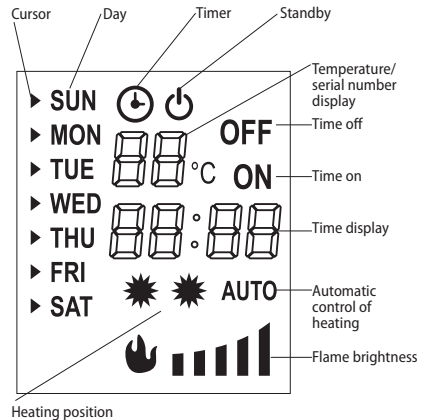
4

Note: During appliance operation in areas with very low level of background noise, it is possible specific sound to be heard which is related to the flame effect. This is normal and should not be considered worrying.

USING THE FIREPLACE

The fireplace can be operated by the switching knobs located in the upper right part of the appliance or by the remote control.

LED DISPLAY



Temperature and serial number display

Normally it displays the room temperature; while setting the temperature, the temperature being set is displayed;

When setting the timer, serial number is displayed.

Time display

Normally it displays the current time; while setting the timer, the time being set is displayed.

Timed starting and timed shutdown

It is displayed while setting the timer, and it is used in combination with serial number setting.

E.g.,

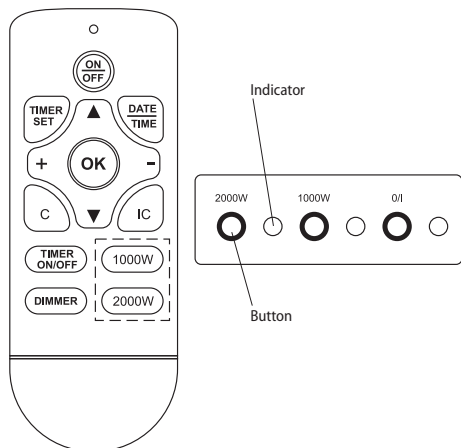
05 ON means the startup time for setting 5 is 23:40;
23:40

05 OFF means the shutdown time for setting 5 is 6:10.
06:10

Flame brightness

It displays the current brightness of the flame, which ranges from one to five positions. This icon is not displayed for color flame.

REMOTE CONTROLLER AND CONTROL SWITCH



BOOT STEPS

1. Connect the power
2. Turn on the power switch
3. Press the control switch or „ON/OFF“ key of the remote controller to start up

HEATING DEVICE

1. Press the 1000W button to can control the low-level heating of the fireplace and stop heating
2. Press the 2000W button to can control the high-level heating of the fireplace and stop heating.

AUTOMATIC HEATING

Press IC button on the remote controller to start or exit the automatic heating.

When turned on, the fireplace can automatically change the heating mode depending on the set temperature and the room temperature.

During a timed starting process, it is possible to start heating ahead of schedule.

MONOCHROME FLAME FIREPLACE WITH ADJUSTABLE FLAME BRIGHTNESS

Method one: Hold down the control switch O/I () button, the flame brightness changes, release the button when the desired brightness is reached.

Method two: press „DIMMER“ button on the remote controller, the flame brightness may change step by step with each press of the button.

SETTING THE DATE AND TIME

1. Settings are done on the remote controller;
2. Press „DATE TIME“ button, then press the ▲ or ▼, key to select the date;
3. Press „DATE TIME“ button again, then press the „+“ or „-“ to set the hour
4. Press „DATE TIME“ button again, then press the „+“ or „-“ to set the minute
5. Press „OK“ button to complete

TEMPERATURE SETTING

The default set temperature is 20°C, press „+“ or „-“ on the remote controller to set the temperature, which ranges from 15 to 30°C, and this is the normally set temperature (the timer is off)

TIMER SETTING

1. Description of setting

There are up to 10 items for timer setting

Each item of setting has its date, power-on time and shutdown time

The max. duration of each item of setting is 23 hours 50 minutes

The set date for each item can be any day or days of a week

The date in each item of setting represents the date of power-on time

If the shutdown time being set falls on the second day, it is unnecessary to set the date – you just set the shutdown time.

2. Steps to view the timer setting

Press the „TIMER SET“ button

Press the „+“ or „-“ to check the power-on time set by the timer item by item

For checking the shutdown time, press the „▲“ button.

Press the „+“ or „-“ to continue viewing

For deleting the current item of setting, press „C“ to delete.

3. Time setup steps for timer setting

(I) Select the settings

Press the „TIME SET“ button, and the serial number of setting starts blinking

Press the „+“ or „-“ to change the serial number until you get the serial number of setting that you need to set or modify.

(II) Select date

Press „TIME SET“ button once again, and the cursor on the left side of date starts blinking

Press the ▲ or ▼ keys to move the cursor to the corresponding date, press the „+“ to add the corresponding date, or press „-“ to delete the date until you have completed the selection of all dates.

(III) Set the start time

Continue to press the „TIME SET“ button, the hour starts blinking

Press the „+“ or „-“ to adjust the hour

Continue to press the „TIME SET“ button, the minute starts blinking

Press the „+“ or „-“ to adjust minute.

(IV) Set the shutdown time

Then press the „TIME SET“ button, the display is off, and the hour starts blinking

Press the „+“ or „-“ to adjust the hour

Continue to press the „TIME SET“ button, the minute starts blinking

Press the „+“ or „-“ to adjust minute.

(V) Set temperature

Then press the „TIME SET“ button, and the temperature set starts blinking. At this moment, the temperature displayed is normally set temperature, which can be adjusted by pressing „+“ or „-“

(VI) Press „TIME SET“ button to continue setting, and press „OK“ complete the setting


TIME SWITCH

„TIME ON/OFF“ is to control the timed opening and closing

Restart the machine after power is cut off, the original setting is kept, but the current date and time must be reset.

PROTECTION FROM OVERHEATING

This appliance is equipped with safety thermal disconnection device, which is actuated at high temperature (resulting for example from blocking of the outlets for outgoing air). For safety purposes the thermal disconnection device will not be automatically restarted. In order for it to be restarted, you need to take the power cord out of the socket, wait for about 10 minutes and then put the plug in the socket again. Normally the appliance will start operating, but if this doesn't happen, you need to check the inlet and outlet openings. If everything is normal with them (and the appliance has been regularly cleaned from dust), please contact the service center in your location.

 *To avoid the risk of involuntary restart of the thermal disconnection device, you should not connect any external starting devices such as timers, series connection switches which provide regular switching on and off of the appliance for the sake of convenience.*

CLEANING

- It is compulsory first to switch off the appliance and disconnect its power cord from the socket on the wall. Before starting to clean the electric fireplace you should wait until it cools down.
- Clean the body of the appliance with a damp cloth, vacuum cleaner or soft brush.
- Never immerse the appliance into water – there is risk for your life from electric shock!
- Never use petrol, thinner or coarse abrasive products for cleaning because they will damage the surface coating of the appliance.

STORAGE

- Before putting away the electric fireplace let it cool down after disconnecting it from the power socket.
- Use the original packing for storing the electric fireplace if it will not be used for a certain period of time. The product is protected from excessive dust and dirt when it is kept in its original packing.
- Never put a hot appliance into its packing!
- The product is necessary to be stored at a dry place away from direct sunlight.
- It is explicitly forbidden to store the appliance in wet or damp premises.

PRODUCT PACKING SET INCLUDES:

Fireplace	1 pc.
Clamp for wall-mounting	1 pc.
Mounting screws and securing element	1 pc.
Remote control	1 pc.
Manual	1 pc.
Guarantee certificate	1 pc.

TECHNICAL CHARACTERISTICS OF THE APPLIANCE:

Lightening – LED system (no replacement parts)

Model	Rated power	Rated voltage	Rated frequency
WEF200SRELW TR	2000W	220-240V~	50Hz



Warning: In order to avoid overheating, do not cover the fireplace!




Environment protection instructions

Old electric appliances contain valuable materials and therefore should not be disposed of as domestic waste! We ask you for your active cooperation to protect the resources and the environment by submitting your appliance to organized buy-back stations (if there are such).

TABLE 2: INFORMATION REQUIREMENTS FOR ELECTRIC LOCAL SPACE HEATERS**Model identifier(s):** 1.WEF2005RELW TR 2000W/220-240V~ 50Hz


Item	Symbol	Value 1.	Unit	Item	Unit
Heat output				Type of heat input for electric storage local space heaters only (select one)	
Nominal heat output	P_{nom}	2.00	kW	Manual heat charge control, with integrated thermostat	[yes/no]
Minimum heat output (indicative)	P_{min}	1.00	kW	Manual heat charge control, with room and/or outdoor temperature feedback	[yes/no]
Maximum continuous heat output (indicative)	$P_{max,C}$	2.00	kW	Electric heat charge control, with room and/or outdoor temperature feedback heat charge control, with integrated thermostat	[yes/no]
Auxiliary electricity consumption				Fan assisted head output	[yes/no]
At nominal heat output	$e_{l,max}$	0.014	kW	Type of heat output/room temperature control (select one)	-
At minimum heat output	$e_{l,min}$	0.014	kW	Single stage heat output and no room temperature control	[no]
In standby mode	$e_{l,SB}$	Stand by 0.00048	kW	Two or more manual stages, no room temperature control	[no]
				With mechanic thermostat room temperature control	[no]
				With electronic room temperature control	[no]
				With electronic room temperature control plus day timer	[no]
				With electronic room temperature control plus week timer	[yes]
Other control options (multiple selections possible)					
				Room temperature control, with presence detection	[no]
				Room temperature control, with open window detection	[no]
				With distance control option	[no]
				With adaptive start control	[yes]
				With working time limitation	[no]
				With black bulb sensor	[no]

 Прочетете настоящите инструкции преди да използвате този уред и съхранявайте тези указания за бъдещо ползване. При смяна на собственика, инструкцията за експлоатация трябва да се предава заедно с уреда.

Благодарим Ви, че избрахте електрическата камина WEF200SRELW TR. Това е изделие, което предлага отопление през зимата от 1000W или 2000W в зависимост от нуждите за постигане на комфортна топлина в отопляемото помещение. При правилна експлоатация и грижа, както е описано в тези инструкции, уредът ще Ви осигури много години полезно функциониране.

ВАЖНИ ПРЕДПАЗНИ МЕРКИ И ИНСТРУКЦИИ ЗА БЕЗОПАСНОСТ:


- Този уред трябва да се използва само по предназначението, за което е бил предвиден, т.е. да отоплява битови помещения. Уреда не е предназначен за търговски цели. Всяка различна употреба да се счита за неправилна и следователно опасна. Производителят не може да носи отговорност за повреди, произтичащи от неправилна и неразумна употреба. Неспазване на информацията за безопасност ще направи невалидна поетата гаранция за уреда!

 Деца на по-малко от 3 години, трябва да се държат на разстояние, освен ако не са под непрекъснато наблюдение.

Деца на възраст от 3 години до 8 години могат само да използват бутона вкл./изкл. на уреда, при условие, че уреда е инсталиран и е готов за нормална работа и са били наблюдавани и инструктирани относно използването му по безопасен начин и разбират, че може да е опасно.

Деца на възраст от 3 години до 8 години не трябва да включват уреда в контакта, да го настройват, да го почистват или да извършват потребителска поддръжка.

Този уред може да се използва от деца на възраст над 8 години и лица с ограничени физически, сетивни или умствени способности, или с недостатъчен опит и познания, ако те са наблюдавани или инструктирани относно безопасното използване на уреда и разбират опасностите. Децата не трябва да си играят с уреда. Почистване и потребителска поддръжка не трябва да се прави от деца без наблюдение.

 Някои части на този продукт може да станат много горещи и да предизвикат изгаряния. Там където, присъстват деца и уязвими хора, трябва да бъде предоставено специално внимание.

- Преди да включите уреда – проверете дали посоченото напрежение върху типовата табелка съответства на напрежението доставяно до дома Ви.
- Не напускайте дома си, докато уреда е включен: уверете се, че ключа е в положение 0 изключено. Винаги изваждайте щепсела на уреда от контакта.
- Дръжте запалими предмети, като мебели, възглавници, спално бельо, хартия, дрехи, пердетата и т.н. на разстояние от поне 100 см далеч от електрическата камина.
- Не използвайте уреда в зони където се използват или съхраняват огнеопасни вещества. Не използвайте уреда в зони със запалими атмосфери (например: в близост до запалими газове или аерозоли) - съществува много голяма опасност от експлозия и пожар!
- Не вкарвайте и не допускате чужди тела да попаднат в отворите за вентилация(входящи или изходящи), тъй като това ще причини токов удар, пожар или повреда в конвектора.

- Уреда не е подходящ за отглеждане на животни, и същия е предвиден само за домашно ползване!
- Най-често срещаната причина за прегряване е натрупването на мърс и прах в уреда. Редовно почиствайте с прахосмукачка вентилационните отвори, като преди това задължително изключите уреда от електрическата мрежа.
- Никога не пипайте уреда с мокри или влажни ръце- съществува опасност за живота!
- Контактът трябва да бъде достъпен по всяко време, за да може щепсела да бъде освобождаван при нужда възможно най-бързо ! Никога не теглете захранващия шнур или самия уред при изключване от мрежата.
- Обърнете внимание! Изходящия въздух се загарява по време на работа (до повече от 100°C).
- Ако кабелът на този уред е повреден, преустановете употребата му и се свържете с доставчика/ продавача за допълнително инструкции.
- Ако уреда не е в ред или функционира неправилно, спрете го и не го ремонтирайте. За всякакви ремонти се обърнете за съдействие към Сервизния Център за след продажбено обслужване. Само там ще подменят дефектиралата част с оригинална резервна такава. Не спазването на това условие ще компрометира безопасността на уреда.
- Ако решите да престанете да използвате уред от този тип, препоръчва се да го направите неизползваем, като срежете шнур, след като сте го изключили от мрежата. Препоръчва се още всички опасности, свързани с уреда да бъдат обезопасени, особено за деца, които биха могли да използват амортизираното устройство(уред) за игра.
- Никога не оставяйте ненужно уреда включен. Изключвайте го от захранващата мрежа, когато няма да го ползвате дълго време.
- Уреда не трябва да се поставя непосредствено под щепселна кутия!
- **Внимание:** Не използвайте този уред с програматор, брояч или друг уред който автоматично го включва тъй като, ако уреда е покрит или неправилно поставен съществува опасност от пожар.
- Поставете захранващия шнур, така че да не пречи на движението на хората и да не бъде настъпван ! Използвайте само одобрени удължители, които са подходящи за уреда, т.е. имат знак за съответствие!
- Не пречупвайте шнур и не го дърпайте през остри ръбове и не го поставяйте върху горещи плочи или открит огън!
- Никога не ползвайте този уред в непосредствена близост до баня, до душ или до плувен басейн!
- Не повдигайте камината чрез предното стъкло

ОПАКОВКА

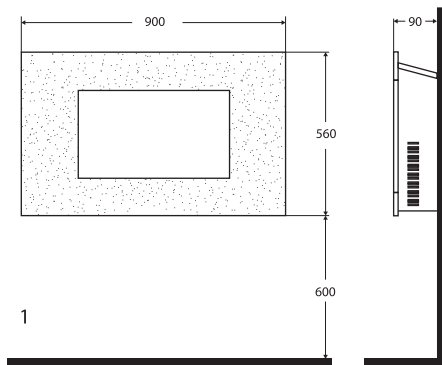
- След разопаковане на уреда, проверете дали при транспортирането не е увреден и дали е напълно окомплектован! В случай че бъде констатирана повреда или непълна доставка, свържете се с Вашия упълномощен продавач!
- Не изхвърляйте оригиналната кутия! Тя би могла да се използва за съхранение и транспортиране, за да се избегнат бъдещи повреди от превозването!
- Изхвърлянето на опаковъчния материал трябва да става по подходящ начин! Децата трябва да се пазят да не си играят с полиетиленовите торби!

ИНСТАЛИРАНЕ НА УРЕДА

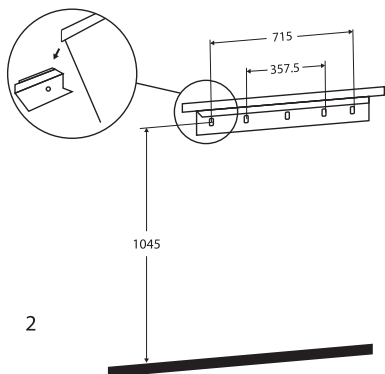


Камината е предназначена единствено за използване чрез степен монтаж!

- Фиксиращите елементи в опаковката са малки по-размер и е необходимо да се пазят далече от малки деца. Препоръчваме всички елементи да се сложат в малка кутия и да се обезопасят далече от деца.
- Малките деца не трябва да си играят с полиетиленовите торби – съществува опасност от задушаване. Препоръчваме да се изхвърлят веднага след вземане на съдържанието им.
- Не свързвайте електрически камината , докато същата не е добре закрепена към стената и не сте прочели всички важни инструкции за безопасност описани в частта по-горе .
- Минималните разстояния пред над и под камината трябва да бъдат спазвани (описани са по-долу).
- При монтажа на уреда, трябва да се внимава да не се повредят вкопаните в стените проводници. Моля, бъдете внимателни при пробиване на отворите за монтаж. Опасност от токов удар!
- Този уред е проектиран да бъде трайно закрепен за стена на височина от минимум 300mm спрямо пода. Носещата скоба на стената трябва да се монтира хоризонтално. Захранващия шнур се разположен в долния десен ъгъл на камината.

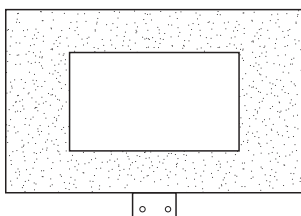


- Височина от 600mm спрямо пода е препоръчителна за оптимално визуализиране на горивния ефект (вж. Фиг.1 за препоръчителни размери за фиксиране).
- За оптимално визуализиране, маркирайте позициите на горните пет винта за закрепване към стената в съответствие с препоръчителните фиксиращи размери (виж Фиг.2. Отвори с шест мм бургия).



2

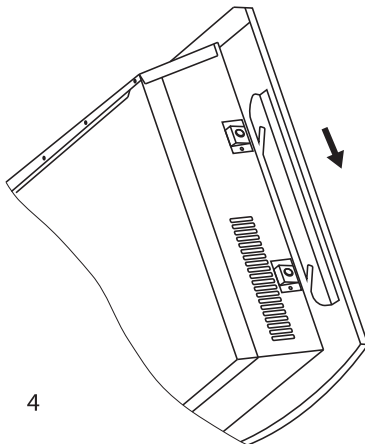
- Фиксирайте носещата скоба към стената чрез винтовете
- Внимателно повдигнете на камината нагоре, така че горния заден ръб(перваз)на камината да попадне над носещата фиксирана планка на стената (вж. Фиг.2) и я поставете централно.
- Внимателно притеснете камината към стената.
- Маркирайте позицията на долните дупки(виж Фиг.3), отстранете камината, като сте сигурни че долната фиксираща планка е завъртяна и не пречи.



3

- Пробийте отворите за долните дупки и фиксирайте на стената.
- Поставете камината към на носещата скоба фиксирана на стената и завъртете скобата за фиксиране на долната част. Използвайте осигурителния винт за да закрепите окончателно камината към стената и да я подсиgurите срещу възможност за откачане.

- Разопакувайте дънерите от полиетиленовата торбичка и ги поставете по протежение на излъчващия светлина елемент в желаната конфигурация и позиция.
- Поставете предното стъкло, като гледате да са влезли два по два жлебовете от всяка страна спрямо опорните оси (виж Фиг.4). Обикновено са необходими двама души за тази операция



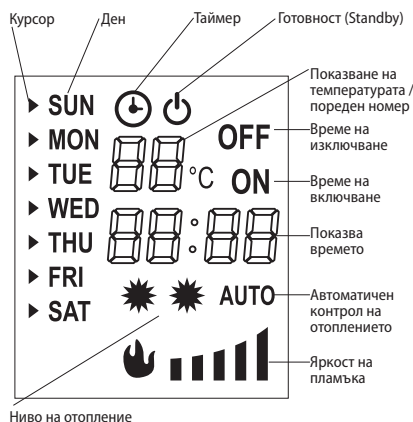
4

Забелжка: При използване на уреда в среда където фоновия шум е много малък е възможно да се чува звук, който е свързан с действието на ефектния-пламък. Това е нормално и не трябва да бъде причина за безпокойство.

ИЗПОЛЗВАНЕ НА КАМИНАТА

Камината може да се управлява чрез превключвателите позиционирани в горната дясна част на камината или чрез дистанционно управление.

LED ДИСПЛЕЙ



Ниво на отопление

Показване на температура и пореден номер

Обикновено дисплеят показва температурата в стаята; докато се настройва температурата, на дисплея се показва настройваната температура;

Когато се настройва таймера, дисплеят показва пореден номер.

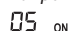
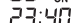
Показване на часа

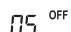
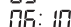
Обикновено дисплеят показва настоящия час и минути; когато се настройва таймера, дисплеят показва настройваните час и минути.

Програмиран старт и изключване

Показва се докато се настройва таймера и се използва в комбинация с поредния номер на настройката.

Например,

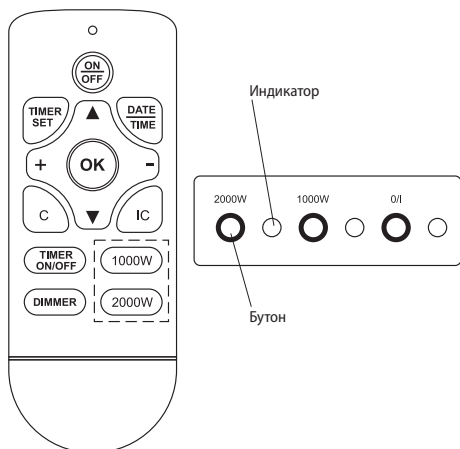
 ON означава, че времето за стартиране на  настройка 5 е 23:40;

 OFF означава, че времето за изключване на  настройка 5 е 6:10.

Яркост на пламъка

Показва настоящата яркост на пламъка, която може да бъде настройвана от ниво 1 до ниво 5. Тази икона не се показва при модели с цветен пламък.

ДИСТАНЦИОННО УПРАВЛЕНИЕ И КОНТРОЛЕН ПАНЕЛ



СТЪПКИ ЗА ВКЛЮЧВАНЕ

1. Свържете към захранване
2. Поставете ключа на захранването в позиция „включен“
3. Натиснете ключа на захранването или бутона „ON/OFF“ на дистанционното управление, за да включите уреда

ОТОПЛИТЕЛЕН УРЕД

1. Натиснете бутона 1000W, за да можете да регулирате отоплението на ниска мощност на камината и за да спрете отоплението;
2. Натиснете бутона 2000W, за да можете да регулирате отоплението на висока мощност на камината и за да спрете отоплението.

АВТОМАТИЧНО ОТОПЛЕНИЕ

Натиснете бутона IC на дистанционното управление, за да активирате или изключите автоматичното отопление.

Когато тази функция е активирана, камината може автоматично да променя режима на отопление в зависимост от зададената температура и температурата в стаята.

В режим на програмиран старт е възможно отоплението да започне преди да е настъпило програмираното време.

КАМИНА С ЕДНОЦВЕТЕН ПЛАМЪК И РЕГУЛИРУЕМА ЯРКОСТ НА ПЛАМЪКА

Първи начин: Задръжте натиснат бутона O/I (⏻) яркостта на пламъка се променя; отпуснете бутона, когато достигнете желаната яркост.

Втори начин: Натиснете бутона „DIMMER“ на дистанционното управление – яркостта на пламъка се променя постепенно с всяко натискане на бутона.

НАСТРОЙВАНЕ НА ДАТА И ЧАС

1. Настройките се правят чрез дистанционното управление;
2. Натиснете бутона „DATE TIME“, след това с натискане на бутоните ▲ или ▼, изберете датата;
3. Натиснете отново бутона „DATE TIME“, след това с натискане на бутоните „+“ или „-“, задайте часа;
4. Натиснете отново бутона „DATE TIME“, след това с натискане на бутоните „+“ или „-“, задайте минутите;
5. Натиснете бутона „OK“, за да завършите настройките

НАСТРОЙВАНЕ НА ТЕМПЕРАТУРА

Зададената по подразбиране температура е 20°C. Можете да настроите температурата в диапазона от 15 до 30°C с бутоните „+“ или „-“ на дистанционното управление (таймерът е изключен).

НАСТРОЙВАНЕ НА ТАЙМЕР

1. Описание на настройката

Можете да зададете максимум 10 отделни настройки на таймера.

Всяка отделна настройка има своя дата, време на стартиране и време на изключване.

Максималната продължителност на всяка настройка е 23 часа и 50 минути.

Зададената дата за всяка настройка може да бъде който и да е ден или дни от седмицата.

Датата на всяка настройка представлява датата на времето на стартиране.

Ако зададеното време на изключване се пада на следващия ден, не е необходимо да задавате датата – само трябва да зададете времето на изключване.

2. Преглед на настройките на таймера

Натиснете бутона „TIMER SET“.

Натиснете бутона „+“ или „-“, за да проверите времето на стартиране на таймера за всяка отделна настройка.

За да проверите времето на изключване, натиснете бутона „▲“.

Натиснете бутона „+“ или „-“, за да продължите прегледа.

За да изтриете настоящата настройка, натиснете бутона „C“.

3. Стъпки за задаване на настройки на таймера

(I) Изберете настройките

Натиснете бутона „TIMER SET“ – поредният номер на настройката започва да мига.

С натискане на бутоните „+“ или „-“ се придвижвате до поредния номер на настройката, която е необходимо да зададете или промените.

(II) Изберете дата

Натиснете отново бутона „TIMER SET“ – курсорът отляво на датата започва да мига.

С натискане на бутоните ▲ или ▼ преместете курсора на съответната дата; натиснете бутона „+“, за да добавите датата или натиснете бутона „-“, за да изтриете датата, докато приключите с избора на дати.

(III) Задаване на времето за стартиране

Натиснете продължително бутона „TIMER SET“ – частъ започва да мига.

С натискане на бутоните „+“ или „-“, задайте часа.

Натиснете продължително бутона „TIMER SET“ – минутите започват да мигат.

С натискане на бутоните „+“ или „-“, задайте минутите.

(IV) Задаване на времето за изключване

Натиснете бутона „TIMER SET“ – дисплеят е изключен и частъ започва да мига.

С натискане на бутоните „+“ или „-“, задайте часа.

Натиснете продължително бутона „TIMER SET“ – минутите започват да мигат.

С натискане на бутоните „+“ или „-“, задайте минутите.

(V) Задаване на температура

Натиснете бутона „TIMER SET“ – зададената температура започва да мига. На дисплея се показва зададената температура, която може да настроите с натискане на бутоните „+“ или „-“.

(VI) Натиснете бутона „TIME SET“, за да продължите с настройките или натиснете бутона „OK“, за да завършите настройката.

ОТЛОЖЕНО ВКЛЮЧВАНЕ/ИЗКЛЮЧВАНЕ НА УРЕДА

С бутона „TIMER ON/OFF“ можете да управлявате програмираното включване и изключване.

Рестартирайте уреда след спиране на ел. захранването; настройките са запазени, но е необходимо да бъдат въведени отново настоящите дата и време.

ЗАЩИТА ОТ ПРЕГРЯВАНЕ

Този уред е окомплектован с защитен термоизключвател, които се задейства при висока температура (например блокиране на изходящите отвори за въздух). С цел безопасност, термоизключвателя няма автоматично да се рестартира. За да бъде рестартиран, е необходимо да се извади шнура от контакта – да се изчака около 10 минути и да се вкара отново плуга в контакта. Уреда нормално би заработил – ако това не се случи е необходимо да се проверят входящите и изходящи отвори. Ако при тях всичко е нормално (и уреда редовно е почистван от прах) се обърнете към сервисната база във вашето населено място.



За да се избегне опасността от **непреднамерено рестартиране на термоизключвателя**, на този уред не трябва да се поставя външно устройство за превключване, като таймер, или свързан последователно във веригата ключ, които редовно се включва или изключва за удобство.

ПОЧИСТВАНЕ

- Задължително първо изключете уреда от ключа и извадете щепсела от контакта в стената. Преди да започнете да почиствате камината, оставете я да изстине.
- Почиствайте корпуса с влажна кърпа, прахосмукачка или четка.
- Никога не потапяйте уреда във вода - съществува опасност за живота от токов удар!
- Никога не използвайте бензин, разрежител или груби абразивни продукти за почистване, тъй като те ще повредят покритието на уреда.

СЪХРАНЕНИЕ

- Преди да приберете камината, оставете я да изстине като го изключите от контакта
- Използвайте оригиналната опаковка за съхранение на камината ако същата няма да се използва за известно време. Продукта се предпазва от прекомерно запращаване и замърсяване като се прибира в оригиналната си опаковка.
- Никога не прибирайте топъл уред в опаковка му!
- Продукта е необходимо да се съхранява в сухо и защитено от пряка слънчева светлина местоположение.
- Изрично се забранява неговото съхраняване във влажни или мокри помещения.

ОКОМПЛЕКТОВКА В ЕДНА ОПАКОВКА:

Камина	1 брой
Скоба за фиксиране към стена	1 брой
Фиксиращи винтове и осигурителен елемент	1 брой
Дистанционно управление	1 брой
Инструкция	1 брой
Гаранционна карта	1 брой

ТЕХНИЧЕСКИ ПАРАМЕТРИ НА УРЕДА:

Осветление - LED система (няма заменяеми части)

Модел	Обявена мощност	Обявено захранващо напрежение	Обявена честота
WEF200SRELW TR	2000W	220-240V~	50Hz



Внимание: За да избегнете прегряване, не покривайте камината.



Указания за опазване на околната среда

Старите електроуреди съдържат ценни материали и поради това не трябва да се изхвърлят заедно с битовата смет! Молим Ви да съдействате с активния си принос за опазване на ресурсите и околната среда и да предоставите уреда в организационните изкупвателни пунктове (ако има такива).

ТАБЛИЦА 2: ИЗИСКВАНИЯ КЪМ ИНФОРМАЦИЯТА ЗА ЕЛЕКТРИЧЕСКИ ЛОКАЛНИ ОТОПЛИТЕЛНИ ТОПЛОИЗТОЧНИЦИ

Идентификатори на модела: 1.WEF200SRELW TR 2000W/220-240V~ 50Hz

Позиция	Символ	Стойност 1.	Мерна единица	Позиция	Мерна единица
Топлинна мощност				Вид топлинно зареждане, само за електрически акумулиращи локални отоплителни топлоизточници (изберете един)	
Номинална топлинна мощност	P_{nom}	2.00	kW	ръчен регулатор на топлинното зареждане с вграден термостат	[да/не]
Минимална топлинна мощност	P_{min}	1.00	kW	ръчен регулатор на топлинното зареждане с обратна връзка за температурата в помещението и/или навън	[да/не]
Максимална непрекъснатата топлинна мощност	$P_{max,C}$	2.00	kW	електронен регулатор на топлинното зареждане с обратна връзка за температурата в помещението и/или навън	[да/не]
Спомагателно потребление на електроенергия				отдавана чрез обдуване топлинна енергия	[да/не]
При номинална топлинна мощност	eI_{max}	0.014	kW	Вид топлинна мощност/регулиране на температурата в помещението (изберете един)	
При минимална топлинна мощност	eI_{min}	0.014	kW	една степен на топлинна мощност и без регулиране на температурата в помещението	[не]
В режим готовност	eI_{SB}	Stand by 0.00048	kW	Две или повече ръчни степени, без регулиране на температурата на помещението	[не]
				с механичен термостат за регулиране на температурата в помещението	[не]
				с електронен регулатор на температурата в помещението	[не]
				електронен регулатор на температурата в помещението и денонощен таймер	[не]
				електронен регулатор на температурата в помещението и седмичен таймер	[Да]
				Други варианти за регулиране (възможен е повече от един избор)	
				регулиране на температурата в помещението с откриване на човешко присъствие	[не]
				регулиране на температурата в помещението с откриване на отворен прозорец	[не]
				с възможност за дистанционно управление	[не]
				с адаптивно управление на пускането в действие	[Да]
				с ограничение на времето за работа	[не]
				с датчик във вид на черна полусфера	[не]

ТЕСИ ООД

бул.Мадара 48,
Шумен, 9700,
България



Citiți instrucțiunile de utilizare înainte de utilizării produsului. Păstrați instrucțiunile de utilizare pe toată durata de viață a produsului, pentru eventuale consultări ulterioare. La schimbarea proprietarului, instrucțiunile trebuie să fie transmise, împreună cu aparatul!

Vă mulțumim pentru alegerea șemineului electric WEF2005RELW TR. Acest produs oferă încălzire în timpul iernii de 1000W sau 2000W în funcție de nevoile de încălzire în încăperea încălzită. Cu utilizare și îngrijire adecvată, așa cum este descris în aceste instrucțiuni,

unitatea vă va oferi mulți ani de funcționare utilă.

PRECAUȚII IMPORTANTE ȘI INSTRUCȚIUNI DE SIGURANȚĂ:

- Acest aparat trebuie folosit numai în scopul pentru care au fost achiziționat, și anume a încălzi camere de utilitate. Aparatul nu este destinat pentru scopuri comerciale. Orice altă utilizare poate fi considerată improprie și, prin urmare, periculoasă. Producătorul nu poate fi tras la răspundere pentru pagubele rezultate din utilizarea incorectă și nerezonabilă. Nerespectarea informațiilor de siguranță va anula garanția aparatului!



Copiii mai mici de 3 ani, trebui să fie ținute departe, cu excepția cazului în care acestea sunt sub supraveghere constantă.

Copiii în vârstă între 3 și 8 ani pot folosi doar butonul porn./opr. a aparatului cu condiția ca aparatul este instalat și este gata pentru funcționarea normală și au fost monitorizate și instruite cu privire la utilizarea acestuia în condiții de siguranță și înțeleg că ar putea fi periculos.

Copiii în vârstă între 3 și 8 ani nu trebui să sa pună cablul aparatului în priză, să-l seteze sau să efectueze întreținerea.

Acest aparat nu este destinat utilizării de către persoane (inclusiv copii mici), cu capacități fizice, senzoriale sau mentale reduse, precum și lipsa de experiență și cunoștințe cu excepția cazului în care au văzut sau au fost dat instrucțiuni cu privire la utilizarea aparatului de către o persoană responsabilă pentru siguranța lor! Nu lăsați copiii mici să se joace cu aparatul! Curățarea și întreținerea nu trebui să fie făcută de către copii nesupravegheați.



Unele părți acestui aparat pot deveni foarte fierbinți și pot cauza arsuri. Acolo unde sunt copii și persoanele vulnerabile trebuie să se acorde o atenție deosebită.

- Înainte de a porni aparatul - verificați dacă tensiunea de pe plăcuța de tip corespunde tensiunii furnizate la casă dumneavoastră.
- Nu plecați de acasă în timp ce aparatul este pornit: asigurați-vă că comutatorul este în poziția 0 oprit. Scoateți întotdeauna aparatul de la priza de alimentare.
- Păstrați o distanță între convectorul și obiectele inflamabile, cum ar fi mobila, perne, lenjerie de pat, hârtie, îmbrăcăminte, perdele, de cel puțin 100 de cm de la șemineul electric.
- Nu utilizați aparatul în zonele în care sunt utilizate sau depozitate substanțe inflamabile. Nu utilizați aparatul în zone cu atmosfere inflamabile (de exemplu: în apropierea gazelor inflamabile sau aerosolilor) - există un pericol extrem de explozie și incendiu!
- Nu introduceți sau nu permite obiecte străine să cadă în orificiile de ventilație (de intrare sau de ieșire), deoarece acest lucru va provoca un șoc electric, incendiu sau deteriorare a convectorului.
- Aparatul nu este potrivit pentru utilizare în creșterea animalelor, acesta este destinat numai pentru uz casnic!

- Cea mai frecventă cauză de supraîncălzire este acumularea de scame și praf în unitate. Curățați regulat cu aspirator orificiile de ventilație, dar înainte de aceasta scoateți aparatul de la rețeaua de alimentare.
- Nu atingeți aparatul cu mâini ude - există pericol pentru viață!
- Priză trebuie să fie ușor accesibilă pentru a scoate ștecherul când este nevoie cât mai repede posibil!! Nu trageți niciodată de cablul de alimentare sau de aparatul pentru a-l deconecta de la priză.
- **ATENȚIE!** Aerul de evacuare este încălzit în timpul funcționării (mai mult de 100°C).
- Dacă cablul acestui aparat este deteriorat, opriți utilizarea și luați legătura cu furnizorul / vânzător pentru instrucțiuni suplimentare.
- În cazul în care unitatea nu este în ordine sau funcționează defectuos, opriți - și nu reparați. Pentru orice reparații, pentru asistența contactați Centrul de Servicii pentru servicii post-vanzare. Numai acolo vor înlocui piesa defectuoasă cu piesă originală. Nerespectarea acestei condiții ar putea compromite siguranța aparatului.
- Dacă decideți să nu mai utilizați un dispozitiv de acest tip, se recomandă să - faceți inutilizabil, să tăiați cablul, după ce l-ați deconectat de la sursa de alimentare. Se recomandă toate pericolele asociate cu aparatul să fie protejate, în special pentru copiii care ar putea folosi dispozitivul amortizat (dispozitiv) pentru a se juca cu el.
- Niciodată nu lăsați aparatul pornit inutil. Deconectați-l din rețeaua de alimentare, dacă nu-l veți folosi o perioadă lungă de timp.
- Aparatul nu trebuie să fie așezat direct sub cutia prizei!
- **Atenție:** Nu conectați aparatul la un cronometru, programator sau orice alt dispozitiv care conectează aparatul automat, pentru că există riscul de a lua foc dacă aeroterma este acoperită sau poziționată incorect.
- Conectați cablul de alimentare astfel încât să nu împiedice circulația persoanelor și să nu fie încălcat! Utilizați numai prelungitoare aprobate, care sunt adecvate pentru acest instrument, adică au semn de conformitate!
- Nu striviți cablul și nu-l trageți peste muchii ascuțite. Nu-l amplasați deasupra unor plite încinse sau deasupra flăcărilor!
- Niciodată nu folosiți acest aparat în apropiere de baie, duș sau o piscină!
- Nu ridicați șemineul prin sticlă din față

AMBALAJ

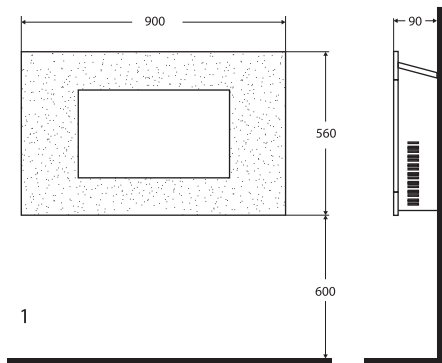
- După despachetarea aparatului, verii căți integralitatea acestuia și existența unor eventuale deteriorări apărute la transport. În cazul constatării unei deteriorări sau al unei livrări incomplete, contactați distribuitorul autorizat!
- Nu aruncați cutia originală! Aceasta poate fi utilizată la depozitare și mutare pentru evitarea eventualelor deteriorări la transportare!
- Evacuați materialul ambalajului la deșeuri într-un mod corespunzător! Nu lăsați pungile de plastic la îndemâna copiilor!

INSTALAREA APARATULUI

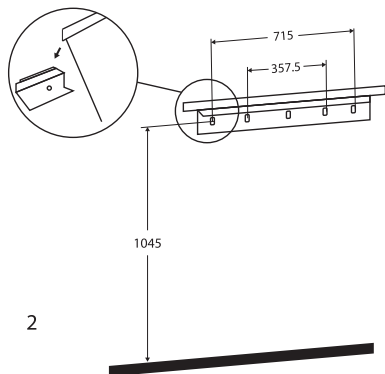


Șemineul este destinat exclusiv utilizării prin montare pe perete!

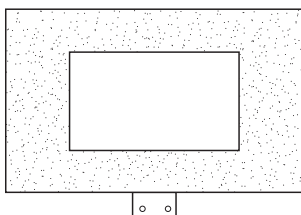
- Elementele de fixare în ambalaj sun cu dimensiune mică și trebuie feriți departe de copiii mici. Recomandăm să puneți toate elementele într-o cutie mică, care să fie așezată departe de copii.
- Copiii mici nu ar trebui să se joace cu sacii de plastic - există pericol de sufocare. Recomandăm să le aruncați imediat după scoaterea conținutului lor.
- Nu conectați șemineul în priză, până când acesta nu este bine fixat pe perete și nu ați citit toate instrucțiunile de siguranță importante descrise în secțiunea de mai sus.
- Distanțele minime în fața, deasupra și peste șemineul trebuie respectate după cum sunt descrise mai sus și afișate mai jos
- La instalarea aparatului, trebuie să aveți grijă să nu deteriorați firele încorporate în pereți. Vă rugăm să fiți atenți atunci când găuriți găuri pentru montare. Pericol de electrocutare!
- Acest aparat este conceput pentru a fi permanent fixat de perete la o înălțime minimă de 300 mm de la podea. Rulmentul de fixare de perete trebuie să fie montat orizontal. Cablul de alimentare se află în colțul din dreapta jos al șemineului,



- Înălțimea de 600 mm de la podea este recomandată pentru vizualizare optimă a efectului de flacără (vezi ardere (vezi Figura 1 pentru dimensiunile recomandate de fixare)
- Pentru o vizualizare optimă, marcați pozițiile celor 5 șuruburi inferioare de fixare pe perete în conformitate cu dimensiunile de fixare recomandate (vezi Fig. 2. Deschideți cu burghiu șase mm).

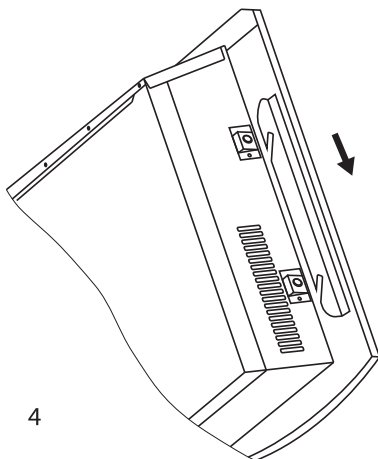


- Fixați suportul rulment pe perete cu ajutorul șuruburilor.
- Ridicați atent șemineul în sus, astfel încât marginea superioară din spate (pervarez) a șemineului să cada peste placa de rulment fixată de perete (vezi Fig.2) și puneți central.
- Atent apăsați șemineul la perete.
- Marcați poziția găurilor de jos (vezi Fig. 3), scoateți șemineul, asigurându-vă că placa de fixare inferioară este rotită și nu interferează.



- Găuriți găurile pentru găurile de jos și fixați pe perete.
- Puneți șemineul pe consola fixată de perete și rotiți clema pentru a fixa partea de jos. Folosiți șurub de securitate pentru a asigura șemineul final de perete și de a proteja împotriva posibilității de detașare.

- Despachetați trunchiuri din sacul de polietilenă și puneți-le de-a lungul elementului emițătoare de lumină în configurația dorită și de poziție.
- Locul sticlă, în căutarea de a fi introduse două de două creștăturile de pe fiecare parte a axei de ancoră (vezi Fig. 4) De obicei trebuie două persoane pentru aceasta operațiune

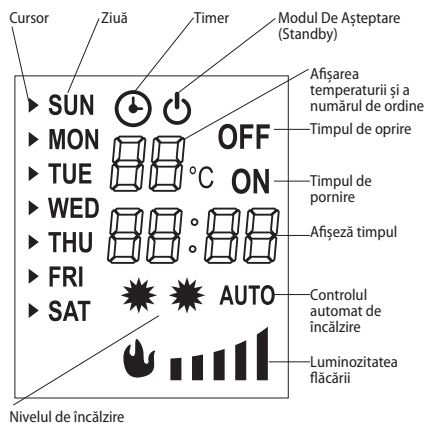


Nota: La utilizarea aparatului în medii în care zgomotul de fond este foarte mic, este posibil să se audă un sunet care este din cauza flăcării. Acest lucru este normal și nu ar trebui să fie motiv de îngrijorare.

UTILIZAREA ȘEMINEULUI

Șemineul poate fi operat prin comutatori poziționate pe partea de sus dreaptă a șemineului printr-o comandă la distanță.

LED DISPLAY



Afișarea temperaturii și a numărului de ordine

De obicei, afișajul arată temperatura din cameră; în timp ce se reglează - temperatura pe display apare temperatura setată;

Atunci când se setează timerul, displayul afișează numărul curent.

Afișarea orei

De obicei, pe ecran se afișează ora și minuta curentă; atunci când se setează timer-ul, display arată ora și minutul setat.

Start programat si oprire

Se afișează timp ce se setează timer-ul și se folosește în combinație cu numărul de curent al setării.

De exemplu,

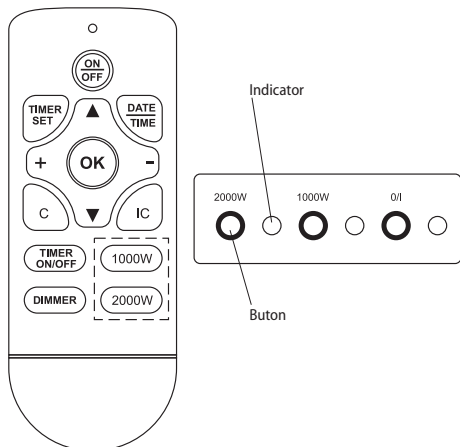
05 ON înseamnă, că timpul de pornire a setării 5 este 23:40

05 OFF înseamnă că timpul pentru blocarea setării 06:10

Luminozitatea flăcării

Arată luminozitatea curentă a flăcării, care poate fi setată de la nivelul 1 la nivelul 5 Aceasta pictogramă nu este afișată la modele cu flacără colorată.

TELECOMANDA SI PANOU DE CONTROL



PASI DE ACTIVARE

1. Conectați la alimentare
2. Puneți comutatorul de alimentare în poziția „pornit”
3. Apăsați comutatorul de alimentare sau butonul „ON/OFF” de pe telecomandă pentru a porni aparatul

APARAT DE ÎNCĂLZIRE

1. Apăsați butonul 1000W, astfel încât să puteți ajusta încălzirea de joasă putere de șemineului și pentru a opri încălzirea;
2. Apăsați butonul 2000W, pentru a regla încălzirea de mare putere de foc și de a opri încălzirea.

ÎNCĂLZIRE AUTOMATĂ

Apăsați butonul IC de pe telecomandă pentru a activa sau dezactiva încălzirea automată.

Când această funcție este activată, șemineul poate modifica automat moduri de încălzire în funcție de temperatura setată și de temperatura interioară din cameră.

În modul start programat este posibil că încălzirea să înceapă înainte de pornirea timpului programat.

ȘEMINEUL CU FLACĂRA CU O CULOARE ȘI LUMINOZITATE REGLATĂ A FLĂCĂRII

A primul metodă: în timp ce Țineți butonul () luminozitatea flăcării se schimbă; eliberați butonul atunci când ajunge nivelul dorit de luminozitate.

A doua metodă: Apăsați butonul „DIMMER” de pe telecomandă – reglarea luminozității flăcării se schimbă treptat, cu fiecare apăsare pe buton.

CONFIGURAREA DATEI ȘI A OREI

1. Setările se fac prin telecomanda;
2. Apăsați butonul „DATE TIME”; apoi apăsați butoanele ▲ sau ▼, selectați data;
3. Apăsați din nou butonul „DATE TIME”, apoi prin apăsarea butoanelor „+” sau „-”, setați ora;
4. Apăsați din nou butonul „DATE TIME”, apoi prin apăsarea butoanelor „+” sau „-”, setați minutele;
5. Apăsați butonul „OK” pentru a finaliza setările

SETAREA TEMPERATURII

Temperatura implicită este 20°C. Puteți seta intervalul de temperatura de la 15 la 30°C cu ajutorul butoanelor „+” sau „-” de pe telecomandă (temporizator oprit).

SETAREA TIMERULUI

1. Descrierea setării

Puteți seta maxim 10 setări separate a timerului.

Fiecare setare separată are data, timp de pornire și timp de oprire.

Durata maximă pentru fiecare setare este de 23 ore și 50 minute.

Data setată pentru fiecare setare poate fi orice zi a săptămânii.

Data fiecărei setări reprezintă data timpului de pornire.

Dacă ora de oprire este pentru a doua zi, nu trebuie să configurați data – trebuie doar să setați ora de oprire.

2. Vizualizarea setărilor timerului

Apăsați butonul „TIMER SET”.

Apăsați butonul „+” sau „-”, pentru a verifica timpul de pornire a timerului pentru fiecare setare.

Pentru a verifica timpul de oprire, apăsați butonul „▲”.

Apăsați butonul „+” sau „-”, pentru a continua vizualizarea.

Pentru a șterge setările curente, apăsați butonul „C”.

3. Pași pentru ajustarea setării timerului

(I) **Selectați setările**

Apăsați butonul „TIMER SET” – numărul de ordine al parametrului începe să clipească.

Cu apășarea butoanelor „+” sau „-” treceți la numărul următor al setării, care este necesar să setați sau să modificați.

(II) **Selectați data**

Apăsați din nou butonul „TIMER SET” – cursorul de la stânga la data începe să clipească.

Cu butoanele ▲ sau ▼ se mută cursorul pe data corespunzătoare; apăsați butonul „+” pentru a adăuga data sau apăsați butonul „-” pentru a șterge dată, în timp ce terminați cu alegerea datei.

(III) **Setarea timpului de pornire**

Apăsați continuu butonul „TIMER SET” – ora începe să clipească pe afișaj.

Cu ajutorul butoanelor „+” sau „-” setați ora.

Apăsați continuu butonul „TIMER SET” – minutele încep să clipească.

Cu ajutorul butoanelor „+” sau „-” setați minutele.

(IV) **Setarea timpului de oprire**

Apăsați butonul „TIMER SET” - displayul este oprit și ora începe să clipească.

Cu ajutorul butoanelor „+” sau „-” setați ora.

Apăsați continuu butonul „TIMER SET” – minutele încep să clipească.

Cu ajutorul butoanelor „+” sau „-” setați minutele.

(V) **Setarea temperaturii**

Apăsați butonul „TIMER SET” - temoeratura setată începe să clipească. Pe display este afișată temperatura, pe care o puteți seta cu ajutorul butoanelor „+” sau „-”.

(VI) **Apăsați butonul „TIME SET”**, pentru a continua setările sau apăsați butonul „OK” pentru a finaliza setarea.


PORNIRE ÎNTĂRZIATĂ/OPRIREA APARATULUI

Cu butonul „TIMER ON/OFF”, puteți controla pornirea și oprirea programată.

Reporniți aparatul după întreruperea alimentării; setările sunt salvate, dar este necesar să reintroduceți data și ora curente.

PROTECȚIE ÎMPOTRIVA SUPRAÎNCĂLZIRII

Acest aparat este dotat cu termostat de siguranță, care pornește la temperaturi ridicate (de exemplu, blocarea orificiilor de ieșire a aerului). Pentru siguranța, termostatul nu se va reseta automat. Pentru a fi repornit, este necesar să scoateți cablul de alimentare de la priză de perete - să așteptați aproximativ 10 minute și să conectați din nou în priză. În mod normal aparatul va funcționa - în cazul în care acest lucru nu se întâmplă, este necesar să se verifice deschiderile de ieșire și intrare. Dacă totul este normal (și aparatul este regulat curățat de praf), contactați baza de service din locația dumneavoastră.

 **Pentru a evita riscul de repornire accidentală a termostatului, acest aparat nu trebuie să fie conectat cu un dispozitiv extern, cum ar fi de exemplu un timer, sau cheie conectată, întrerupător de circuit, care regulat se oprește sau pornește pentru comoditate.**

CURĂȚARE

- În primul rând opriți aparatul de la comutator și deconectați cablul de alimentare de la priză. Înainte de a curăța șemineul lăsați-l să se răcească.
- Curățați carcasa cu o cârpă umedă, aspirator sau o perie.
- Nu scufundați niciodată aparatul în apă - există pericol pentru viața de șoc electric!
- Nu utilizați niciodată benzină, diluant sau produse abrazive de curățare, deoarece acestea vor deteriora finisajul aparatului.

DEPOZITARE

- Înainte să depozitați șemineul, lăsați-l să se răcească, scoateți-l de la priză.
- Utilizați ambalajul original pentru depozitarea șemineului, dacă acesta nu este folosit o anumită perioadă de timp. Produsul este protejat de praf și murdărie când este depozitat în ambalajul original.
- Nu depozitați aparatul cald în ambalajul său!
- Produsul trebuie să fie depozitat în locuri uscate și protejate de lumina directă a soarelui.
- Se interzice în mod expres depozitarea aparatului în zone umede sau ude.

PIESE ÎNTR-UN AMBALAJ:

Șemineu	1 buc
Consola de fixare la perete	1 buc
Șuruburi de fixare și element de asigurare	1 buc
Telecomandă	1 buc
Instrucțiuni	1 buc
Carte de garanție	1 buc

PARAMETRII TEHNICI AI APARATULUI:

Iluminare – sistem LED (nu are piese de schimb)

Model	Putere declarată	Tensiune de alimentare declarată	Frecvența de alimentare declarată
WEF200SRELW TR	2000W	220-240V~	50Hz



ATENȚIE: Pentru a evita supraîncălzirea, nu acoperiți șemineul.



Indicații pentru protecția mediului înconjurător

Aparatele electrice uzate sunt materiale valoroase, motiv pentru care locul lor nu este la gunoii menajer! Din această cauză, vă rugăm să ne sprijiniți și să participați la protejarea resurselor naturale și a mediului înconjurător, prin predarea acestui aparat la centrele de preluare a acestora, în cazul în care ele există.

TABELUL 2 CERINȚE PRIVIND INFORMAȚIILE REFERITOARE LA APARATELE ELECTRICE PENTRU ÎNCĂLZIRE LOCALĂ
Identificatorul de model(e): 1.WEF200SRELW TR 2000W/220-240V~ 50Hz

Parametru	Simbol	Valoare 1.	Unitate	Parametru	Unitate
Puterea termică				Modul de acumulare a căldurii, numai în cazul aparatelor electrice pentru încălzire locală cu acumulator de căldură (alegeți o variantă)	
Puterea termică nominală	P_{nom}	2.00	kW	control manual al sarcinii termice, cu termostat integrat	[da/nu]
Puterea termică minimă (cu titlu indicativ)	P_{min}	1.00	kW	control manual al sarcinii termice, ca răspuns la temperatura camerei și/sau exterioară	[da/nu]
Puterea termică maximă continuă	$P_{max,C}$	2.00	kW	control electronic al sarcinii termice, ca răspuns la temperatura camerei și/sau exterioară	[da/nu]
Consumul auxiliar de energie electrică				putere termică comandată de ventilator	[da/nu]
La putere termică nominală	$e_{l,max}$	0.014	kW	Tip de putere termică/controlul temperaturii camerei (selectați o variantă)	-
La putere termică minimă	$e_{l,min}$	0.014	kW	cu o singură treaptă de putere termică și fără controlul temperaturii camerei	[nu]
În modul standby	$e_{l,SB}$	Stand by 0.00048	kW	două sau mai multe trepte de putere manuale, fără controlul temperaturii camerei	[nu]
				cu controlul temperaturii camerei prin intermediul unui termostat mecanic	[nu]
				cu control electronic al temperaturii camerei	[nu]
				cu control electronic al temperaturii camerei și cu temporizator cu programare zilnică	[nu]
				cu control electronic al temperaturii camerei și cu temporizator cu programare săptămânală	[da]
				Alte opțiuni de control (se pot selecta mai multe variante)	
				controlul temperaturii camerei, cu detectarea prezenței	[nu]
				controlul temperaturii camerei, cu detectarea unei ferestre deschise	[nu]
				cu opțiune de control la distanță	[nu]
				cu demaraj adaptabil	[da]
				cu limitarea timpului de funcționare	[nu]
				cu senzor cu bulb negru	[nu]

TESY Ltd
48 Madara Blvd,
Shumen, 9700,
Bulgaria



Pročitajte ove upute prije korištenja ovog uređaja i držati ove upute za buduću uporabu. Pri promjeni vlasnika, upute moraju se prenositi zajedno s aparatom.

Zahvaljujemo da ste odabirali električni kamin WEF200SREWL TR. Ovo je uređaj koji nudi grijanje u zimi od 1000 W ili 2000 W koliko je potrebno kako bi se postigla udobna toplina u zagrijanoj prostoriji. Uz pravilnu uporabu i njegu kao što je opisano u ovim uputama, uređaj će pružiti mnogo godina korisnog rada.

VAŽNE MJERE OPREZA I SIGURNOSNE UPUTE:

- Ovaj uređaj mora biti korišten samo na svrhu za koju je namijenjen, odnosno za zagrijavanje domaćih prostora. Uređaj nije namijenjen za trgovačke svrhe. Svako drugo korištenje može se smatrati nepravilnim i stoga opasnim. Proizvođač ne može biti odgovoran za štete nastale nepravilnim i nerazumnim upotrebama. Nepridržavanje sigurnosne informacije će izgubiti jamstvo aparata!



Djeca koja su manja od tri godine, moraju se držati na udaljenosti, osim ako nisu pod stalnim nadzorom.

Djeca u dobi od tri godine do osam godina mogu koristiti samo dugme uklj. / Isklj jedinice, pod uvjetom da je uređaj instaliran i spreman za normalan rad i ona su bila pod praćenjem i su upućena na njegovu uporabu na siguran način i razumiju da to može biti opasno. Djeca u dobi od tri godine do 8 godina ne bi trebala uključivati uređaj u utičnicu, da ga postavljaju da ga očiste ili da izvode korisničko održavanje.

Ovaj uređaj se može koristiti od strane djece u dobi nad osam godina i od strane osoba sa smanjenim fizičkim, osjetilnim ili mentalnim sposobnostima, ili sa nedostatkom iskustva i znanja, osim ako su one pod nadzorom ili upućene u sigurno korištenje aparata i razumiju opasnosti. Djeca ne bi trebalo se igrati s aparatom. Čišćenje i korisničko održavanje ne treba biti učinjeno od strane djece bez nadzora.



Neki dijelovi ovog uređaja mogu postati vrlo vrući i uzrokovati opekline. Tamo gdje su prisutna djeca i ranjivi ljudi se treba posvetiti posebna pozornost.

- Prije uključivanja uređaja, provjerite je li napon struje na tipskoj pločici odgovara naponu, koji se koristi u Vašem domu (u ofisu).
- Ne izlazite iz kuće dok je uređaj uključen: provjerite da je uređaj u položaju OFF (isključen). Uvijek uklanjajte utikač aparata iz utičnice.
- Držite zapaljive predmete kao što su namještaj, jastuci, posteljina, papir, odjeća, zavjese, itd. na udaljenosti od najmanje 100 cm od električnog kamina.
- Ne koristite uređaj u područjima gdje se koriste ili drže zapaljivi materijali. Ne koristite uređaj u područjima sa zapaljivom atmosferom (npr. u blizini zapaljivih plinova ili aerosola) - postoji velika opasnost od eksplozije i požara!
- Nemojte umetati ili dopustiti strani predmeti da popadaju u ventilacijske otvore (dolazni ili odlazni), jer će to uzrokovati strujni udar, požar ili oštećenja u konvektoru.
- Uređaj nije prikladan za gajenje životinja, a isti je namijenjen samo za kućnu uporabu!
- Najčešći uzrok pregrijavanja je akumulacija vlakna i prašine u uređaju. Redovno usisivajte ventilacijske otvori, kao što je prethodno potrebno isključili aparat. Držite električni kamin čist.
- Nikad ne dirajte uređaj mokrim ili vlažnim rukama - postoji opasnost po život!

Utičnica mora biti dostupna u bilo kojem trenutku, da bi moglo da se utikač oslobodi što je prije moguće! Nikad ne povlačite kabel za napajanje ili sam aparat kad želite da isključite uređaj iz napajanja.

- Obratite pažnju! Izlazni zrak se zagrijava za vrijeme rada (do više od 100°C).
- Ako je kabel oštećen, prestanite koristiti ga i obratite se dobavljaču / prodavaču za dodatne upute.
- Ako uređaj nije u redu ili neispravan, zaustavite ga i nemojte ga popraviti. O svim popravcima se konzultirajte svom servisnom centru za poslije-prodajnu uslugu. Samo tamo će zamijeniti oštećeni dio s originalnim rezervnim. Nepoštivanje ovog uvjeta bi ugrozilo sigurnost aparata.
- Ako odlučite prestati koristiti uređaj ovog tipa, preporuča se da ga uradite neupotrebljivim, izrezavši kabel nakon isključivanja iz mreže. Potrebno je osigurati uređaj (posebice za djecu), koja bi mogla koristiti amortizirani uređaj (aparat) za igru.
- Nikada ne ostavljajte aparat uključen nepotrebno. Isključite ga iz utičnice kada nećete ga koristiti dulje vrijeme.
- Aparati ne bi trebao biti smješten točno ispod kutije utičnice!
- **Oprez:** Ne koristite ovaj uređaj s programerom, timerom ili drugim uređajima koji ga automatski uključuju, jer ako je aparat prekriveni ili pogrešno postavljen postoji opasnost od požara.
- Postavite mrežni kabel tako da ne ometa kretanje ljudi i da se na njega ne hoda! Koristite samo odobrenu produžne kabele koje su prikladni za uređaj, tj. da imaju znak sukladnosti!
- Nemojte savijati kabel i nemojte ga povucite preko oštrih rubova i nemojte ga staviti na vruće ploče ili na otvoreni plamen!
- Nikada ne koristite ovaj uređaj u neposrednoj blizini kupatila, tuševa ili bazena!
- Nemojte dizati kamin posredstvom prednjeg stakla.

PAKOVANJE

- Nakon raspakiranja uređaja, provjerite je li tokom prijevoza nije umanjen ili potpuno opremljeni! U slučaju da se utvrdi oštećene ili nepotpuna isporuka, obratite se ovlaštenom prodavaču!
- Nemojte odbaciti originalnu kutiju! Ona bi moglo se koristiti za skladištenje i transport kako bi se izbjeglo oštećenje od prijevoza!

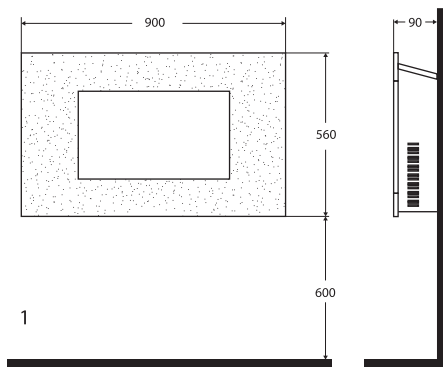
- Odbacivanje materijala za pakiranje mora biti na odgovarajući način! Djeca bi trebala da su pod nadzorom da se ne igraju s plastičnim vrećicama!

INSTALACIJA UREĐAJA



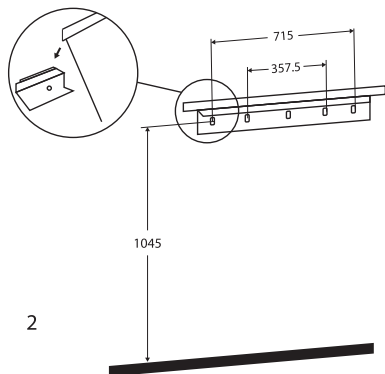
Kamin je namijenjen isključivo za uporabu posredstvom zidne montaže!

- Fiksni elementi u pakiranju su male veličine i moraju se držati podalje od djece. Preporučujemo da svi elementi biti smješteni u maloj kutiji i pričvrstite ispod podalje od djece.
- Mala djeca ne bi trebala se igrati s plastičnim vrećicama - postoji opasnost od gušenja. Preporučujemo da se iste odbace odmah nakon uzimanja njihovog sadržaja.
- Ne povezujte električni kamin, dok isti nije pravilno pričvršćen na zid, a vi niste pročitali sve važne sigurnosne upute opisane u odlomku gore.
- Minimalne udaljenosti ispred, iznad i ispod kamina se moraju slijediti kao što su gore opisane i prikazane dolje.
- Tijekom montaže uređaja se mora paziti da se ne oštete žice ukopane u zidovima. Molimo budite opreznii prilikom bušenja montažnih rupa. Opasnost od strujnog udara!
- Ovaj je uređaj namijenjen da bude trajno pričvršćen na zidu na visini od najmanje 300 mm iznad poda. Noseća zagrada na zidu mora biti montirana vodoravno. Kabel za napajanje se nalazi u donjem desnom uglu kamina.



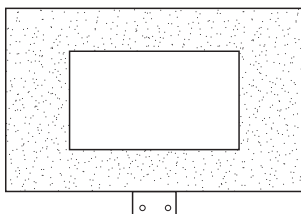
- Visina 600mm od poda se preporučuje za optimalnu vizualizaciju plemenskog efekta (vidi sliku 1 za preporučene dimenzije za fiksiranje).

- Za optimalnu vizualizaciju, označiti položaje 5 gornjih vijaka za pričvršćivanje na zid u skladu s preporučenim popravljajućim dimenzijama (vidi sliku 2). Otvori sa šest mm bušilica.



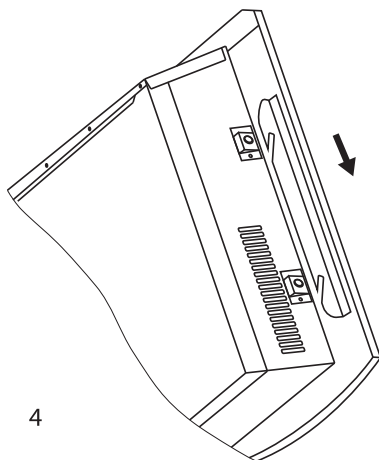
2

- Fiksirajte noseću zgradu na zid pomoću vijaka
- Pažljivo podignite kamin gore, tako da gornji stražnji rub (granica) kamina da padne iznad noseće fiksne pločice na zidu (vidi sliku 2) i stavite ga centralno.
- Pažljivo pritisnite kamin na zid.
- Označite položaj donjih rupe (vidi sliku 3), ukloniti kamin tako da ste sigurni da donja fiksna pločica je okrenuta i ne miješa se.



3

- Izbušite otvore za donje rupe i fiksirajte na zid.
- Stavite kamin na noseću zgradu fiksirana na zidu i okrenite zgradu za fiksiranje na donjem dijelu. Koristite vijak osiguranje da biste konačno učvrstili kamin na zid i da ga zaštitite protiv mogućeg odvajanja.
- Otpakirajte trupac iz plastične vrećice i stavite ih duž emitiranog svjetlosnog elementa u željenoj konfiguraciji i položaju.
- Postavite prednje staklo gledajući da su ušla dva po dva zleba na svakoj strani u skladu sa opornim osovinama, (vidi sliku 4). Za ovu operaciju obično su potrebna dva čoveka.



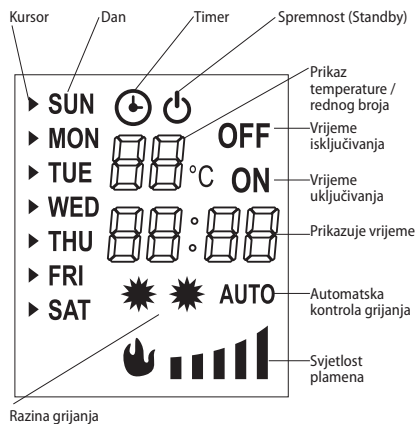
4

Napomena: Prilikom korištenja uređaja u okruženju gdje je pozadinska buka vrlo mala, moguće je čuti zvuk koji je povezan s radom plamenskog efekta. To je normalno i ne bi trebao biti razlog za zabrinutost.

KORIŠTENJE KAMINA

Kamin se može upravljati pomoću prekidača smješteni u gornjem desnom dijelu kamina ili putem daljinskog upravljača.

LED ZASLON



Razina grijanja

Prikaz temperature i rednog broja

Obično, na zaslonu se prikazuje temperatura prostorije; dok se temperatura postavlja, na zaslonu se prikazuje podešavana temperatura;

Kada se podešava timer, zaslon prikazuje redni broj.

Prikazivanje vremena

Obično, zaslon prikazuje trenutno vrijeme i minute; kada se timer podešava, zaslon prikazuje podešavana sat i minute.

Programiran start i isključivanje

Prikazuje se dok se timer podešava i se koristi u kombinaciji s rednim brojem postavke.

Na primjer,

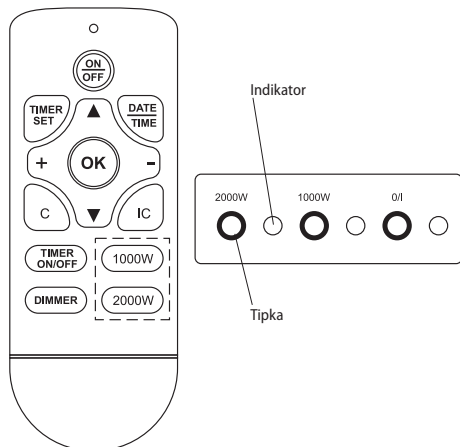
05 ON znači da vrijeme početka postavljanja 5 je 23:40 23:40;

05 OFF znači, da vrijeme isključivanja postavljanja 5 je 06:10 6:10

Svjetlost plamena

Prikazuje trenutnu svjetlost plamena, koja se može podesiti od razine 1 do razine 5. Ova ikona se ne prikazuje za modele s plamenom u boji.

DALJINSKI UPRAVLJAČ I KONTROLNI PANEL



KORACI ZA UKLJUČIVANJE

1. Povežite na napajanje.
2. Postavite prekidač napajanja na poziciju „uključen“.
3. Pritisnite prekidač napajanja ili tipku „ON / OFF“ na daljinskom upravljaču kako biste uključili uređaj.

GRIJAČI UREĐAJ

1. Pritisnite tipku 1000W, tako da možete podesiti grijanje na niskoj snazi kamina i da biste zaustavili grijanje;
2. Pritisnite tipku 2000W, tako da možete podesiti grijanje na velikoj snazi kamina i da biste zaustavili grijanje.

AUTOMATSKO GRIJANJE

Pritisnite tipku IC na daljinskom upravljaču kako biste aktivirali ili isključili automatsko grijanje.

Kada je ova funkcija uključena, kamin može automatski promijeniti način grijanja ovisno o postavljenoj temperaturi i temperaturi prostorije.

U režimu programiranom načinu rada, grijanje može započeti prije isteka programiranog vremena.

KAMIN S JEDNOBOJNOM PLAMENOM I PODESIVOM SVJETLOŠĆU PLAMENA

Prvi način: Zadržite tipku O/I (☺) svjetlost plamena se promjenjuje; pustite tipku kad postignete željenu svjetlost.

Drugi način: Pritisnite tipku „DIMMER“ daljinskog upravljača - svjetlost plamena se mijenja postupno svakim pritiskom na tipku.

POSTAVLJANJE DATUMA I VRIJEMENA

1. Postavke se vrše putem daljinskog upravljača;
2. Pritisnite tipku „DATE TIME“, zatim pritiskom na tipke ▲ ili ▼, odaberite datum;
3. Ponovno pritisnite tipku „DATE TIME“, zatim pritiskom na tipke „+“ ili „-“, postavite sat;
4. Ponovno pritisnite tipku „DATE TIME“, zatim pritiskom na tipke „+“ ili „-“, postavite minute;
5. Pritisnite tipku „OK“, za dovršavanje postavki

POSTAVLJANJE TEMPERATURE

Zadana po podrazumevanju temperatura je 20°C. Možete podesiti temperaturu u rasponu od 15 do 30° C tipkama „+“ ili „-“ daljinskog upravljača (timer je isključen).

POSTAVLJANJE TIMERA

1. Opis postavke

Možete postaviti najviše 10 zasebnih postavki timera. Svaka pojedinačna postavka ima svoj datum, vrijeme početka i vrijeme isključivanja.

Maksimalna duljina svake postavke iznosi 23 sata i 50 minuta.

Postavljeni datum za svaku postavku može biti bilo koji dan ili dani u tjednu.

Datum svake postavke je datum vremena startiranja.

Ako zadano vrijeme isključivanja pada na sljedeći dan, ne morate podesiti datum - trebate samo postaviti vrijeme isključivanja.

2. Pregled postavke timera

Pritisnite tipku „TIMER SET“.

Pritisnite tipku „+“ ili „-“, da biste provjerili vrijeme početka timera za svaku pojedinačnu postavku.

Da biste provjerili vrijeme isključivanja, pritisnite tipku „▲“.

Pritisnite tipku „+“ ili „-“, da biste nastavili pregled.

Da biste izbrisali trenutnu postavku, pritisnite gumb tipku „C“.

3. Koraci za postavljanje postavki timera

(I) Odaberite postavke

Pritisnite tipku „TIMER SET“ – redni broj postavke počinje treptati.

Pritiskom na tipke „+“ ili „-“ krećete se na redni broj postavki koje trebate postaviti ili promijeniti.

(II) Odaberite datum

Ponovno pritisnite tipku „TIMER SET“ – kursor lijevo od datuma počinje treptati.

Pritiskom na tipke ▲ ili ▼ pomaknite kursor na odgovarajući datum; pritisnite tipku „+“, da biste dodali datum ili pritisnite tipku „-“, da biste izbrisali datum, dok ne završite s odabirom datuma.

(III) Postavljanje vremena startiranja

Pritisnite produženo tipku „TIMER SET“ – sat počinje treptati.

Pritiskom na tipke „+“ ili „-“, postavite sat.

Pritisnite produženo tipku „TIMER SET“ – minute počinju treptati.

Pritiskom na tipke „+“ ili „-“, postavite minute.

(IV) Postavljanje vremena isključivanja

Pritisnite tipku „TIMER SET“ – zaslon je isključen i sat počinje treptati.

Pritiskom na tipke „+“ ili „-“, postavite sat.

Pritisnite produženo tipku „TIMER SET“ – minute počinju treptati.

Pritiskom na tipke „+“ ili „-“, postavite minute.

(V) Postavljanje temperature

Pritisnite tipku „TIMER SET“ – zadana temperatura počinje treptati. Na zaslonu se prikazuje zadana temperatura, koju možete postaviti pritisnikom na tipke „+“ ili „-“.

(VI) Pritisnite tipku „TIME SET“, da biste nastavili postavke ili pritisnite tipku „OK“, da biste završili postavku.

ODGOĐENO UKLJUČIVANJE/ISKLJUČIVANJE UREĐAJA

Pomoću tipke „TIMER ON/OFF“ možete upravljati programirano uključivanje i isključivanje.

Restartirajte uređaj nakon zaustavljanja električnog napajanja; postavke su sačuvane, no potrebno je ponovno unijeti trenutni datum i vrijeme.

ZAŠTITA OD PREGRIJAVANJA

Ovaj uređaj je opremljen sa sigurnosnim termoprekidačem, koji se uključuje pri visokim temperaturama (npr. blokiranje izlaznih zračnih otvora). Za sigurnost, termoprekidač neće se automatski ponovno pokrenuti. Da bi se restartirao, potrebno je ukloniti mrežni kabel iz zidne utičnice - pričekati oko 10 minuta i da se opet stavi utikač u utičnicu. Uređaj bi normalno zaradio - ako se to ne dogodi potrebno je provjeriti ulazne i izlazne otvore. Ako je sve normalno (i uređaj se redovito čisti od prašine), obratite se servisnom centru u vašem naseljenom mjestu.



Kako biste izbjegli rizik od slučajnog restartiranja termoprekidača, na ovaj uređaj ne mora biti postavljen vanjski uređaj kao što je timer ili spojeni dosljedno u lancu prekidač koji se redovito uključiti ili isključiti za praktičnost.

ČIŠĆENJE

- Obavezno najprije isključite prekidač aparata i izvucite utikač iz utičnice. Prije početka čišćenja kamina, ostavite ga da se ohladi isključivši ga iz kontakta
- Očistite korpus s vlažnom krpom, usisivačem ili četkom.
- Nemojte nikada uranjati aparat u vodu – postoji opasnost po život od strujnog udara!
- Nikada ne koristite benzin, razrjeđivač ili gruba abrazivna sredstva za čišćenje, jer će ona oštetiti površinu aparata

SKLADIŠTENJE

- Prije pohrane kamina, ostavite ga da se ohladi isključivši ga iz kontakta
- Koristite originalno pakovanje za pohranu konvektora ako se isti neće koristiti za neko vrijeme. Ovaj uređaj će biti zaštićen od prašine i prljavštine, dok je uvučen u svojoj originalnoj ambalaži.
- Nikada nemojte pohranjivati vrući aparat u njegovoj ambalaži!
- Ovaj uređaj treba biti pohranjen na suhom i zaštićenom od direktne sunčeve svjetlosti mjestu.
- Izričito se zabranjuje njegovo čuvanje u vlažnim ili mokrim područjima.

OPREMA U JEDNOM PAKIRANJU:

Kamin	1 komad
Zagrada za fiksiranje na zid	1 komad
Fiksni vijci i element osiguravanja	1 komad
Daljinski upravljač	1 komad
Upute	1 komad
Jamstvena karta	1 komad

TEHNIČKE SPECIFIKACIJE UREĐAJA:

Rasvjeta - LED sustav (nema zamjenskih dijelova)

Model	Objavljena snaga	Objavljeni napon za napajanje	Objavljena frekvencija
WEF200SRELW TR	2000W	220-240V~	50Hz



Upozorenje: Kako biste izbjegli pregrijavanje, ne prekrivajte kamin!



Smjernice za zaštitu okoliša

Stari električni uređaji sadrže vrijedne materijale i stoga ne bi trebalo ih odlagati zajedno s kućnim smećem! Molimo vas da surađujete sa svojim aktivnim doprinosom očuvanju resursa i okoliša i za prijenos uređaja organiziranim centrima za iskupovanje (ako ih ima).

TABLICA 2. ZAHTJEVI ZA INFORMACIJE ZA ELEKTRIČNE GRIJALICE ZA LOKALNO GRIJANJE PROSTORA

Identifikacijska(-e) oznaka(-e) modela: 1.WEF200SRELW TR 2000W/220-240V~ 50Hz

Značajka	Simbol	Vrijednost 1.	Jedinica	Značajka	Jedinica
Toplinska snaga				Vrsta ulazne topline, samo za električne akumulacijske grijalice za lokalno grijanje prostora (odabrati jednu)	
"nazivna toplinska snaga"	P_{nom}	2.00	kW	"ručna regulacija napajanja toplinom, s ugrađenim termostatom"	[da/ne]
"minimalna toplinska snaga (referentna)"	P_{min}	1.00	kW	"ručna regulacija napajanja toplinom putem informacija o sobnoj i/ili vanjskoj temperaturi"	[da/ne]
"maksimalna kontinuirana toplinska snaga"	$P_{max,C}$	2.00	kW	"elektronička regulacija napajanja toplinom putem informacija o sobnoj i/ili vanjskoj temperaturi"	[da/ne]
"Potrošnja pomoćne električne energije"				predaja topline uz pomoć ventilatora	[da/ne]
"kod nazivne toplinske snage"	e_{fmax}	0.014	kW	Vrsta izlazne topline/regulacija sobne temperature (odabrati jednu)	-
"kod minimalne toplinske snage"	e_{fmin}	0.014	kW	"jednostupanjnska predaja topline i bez regulacije sobne temperature"	[ne]
u stanju pripravnosti	e_{fSB}	Stand by 0.00048	kW	"dva ili više ručna stupnja, bez regulacije sobne temperature"	[ne]
				"s regulacijom sobne temperature mehaničkim termostatom"	[ne]
				s elektroničkom regulacijom sobne temperature	[ne]
				"elektronička regulacija sobne temperature i dnevni uklopni sat"	[ne]
				"elektronička regulacija sobne temperature i tjedni uklopni sat"	[da]
				Druge mogućnosti regulacije (moguć odabir više opcija)	
				"regulacija sobne temperature s prepoznavanjem prisutnosti"	[ne]
				"regulacija sobne temperature s prepoznavanjem otvorenog prozora"	[ne]
				s mogućnošću regulacije na daljinu	[ne]
				s prilagodljivim pokretanjem regulacije	[da]
				s ograničenjem vremena rada	[ne]
				s osjetnikom s crnom žaruljom	[ne]

TESY Ltd
48 Madara Blvd,
Shumen, 9700,
Bulgaria



Διαβάστε αυτές τις οδηγίες πριν τη χρήση αυτού του προϊόντος και διατηρήστε τις για μελλοντική χρήση. Σε περίπτωση που η ηλεκτρική συσκευή αλλάξει ιδιοκτησία, το εγχειρίδιο χρήσης πρέπει να παραχωρηθεί στο νέο ιδιοκτήτη μαζί με τη συσκευή.

Σας ευχαριστούμε που επιλέξατε το ηλεκτρικό τζάκι WEF200SRELW TR. Αυτό είναι ένα προϊόν που παρέχει θέρμανση το χειμώνα ισχύος 1000W ή 2000W ανάλογα με τις ανάγκες, για να επιτευχθεί μια άνετη θερμότητα στο θερμαινόμενο χώρο. Σε περίπτωση σωστής λειτουργίας και περιθαλψής, όπως περιγράφεται σ' αυτές τις οδηγίες, η συ-

σκευή θα παρέχει μια χρήσιμη λειτουργία για πολλά χρόνια.

ΣΗΜΑΝΤΙΚΕΣ ΠΡΟΦΥΛΑΞΕΙΣ ΚΑΙ ΟΔΗΓΙΕΣ ΑΣΦΑΛΕΙΑΣ:

- Η συσκευή αυτή προορίζεται αποκλειστικά και μόνο για τη χρήση για την οποία έχει σχεδιαστεί, δηλ. για οικιακή χρήση. Δεν θα πρέπει να χρησιμοποιείται για επαγγελματικούς σκοπούς. Οποιαδήποτε άλλη χρήση θα πρέπει να θεωρείται ακατάλληλη και συνεπώς επικίνδυνη. Ο κατασκευαστής δεν μπορεί να θεωρηθεί υπεύθυνος για τυχόν ζημιές που μπορεί να προκληθούν από ακατάλληλη, λανθασμένη και αλόγιστη χρήση. Εάν δεν τηρηθούν όλες οι οδηγίες για την ασφάλεια, θα ακυρωθεί η εγγύηση της συσκευής που παρέχεται!



Πρέπει να κρατάτε μακριά παιδιά κάτω των 3 ετών, εκτός εάν τα επιτηρείτε συνεχώς. Παιδιά ηλικίας από 3 έως 8 ετών μπορούν να χρησιμοποιούν το διακόπτη on/off της συσκευής, υπό την προϋπόθεση ότι η συσκευή έχει εγκατασταθεί και είναι έτοιμη για κανονική λειτουργία και τα παιδιά επιτηρούνται και γνωρίζουν τις οδηγίες ασφαλούς χρήσης, κατανοώντας ότι η αμέλεια αποτελεί κίνδυνο.

Παιδιά ηλικίας από 3 έως 8 ετών δεν θα πρέπει να συνδέουν τη συσκευή στην πρίζα, να την ρυθμίζουν, να την καθαρίζουν ή να εκτελούν εργασίες συντήρησης.

Αυτή η συσκευή μπορεί να χρησιμοποιηθεί από παιδιά ηλικίας 8 ετών και πάνω και από άτομα με περιορισμένες σωματικές, αισθητήριες ή διανοητικές ικανότητες ή από άτομα χωρίς εμπειρία και γνώση, με την προϋπόθεση ότι τη χρησιμοποιούν υπό επιτήρηση ή ότι έχουν λάβει οδηγίες σχετικά με την ασφαλή χρήση της συσκευής και κατανοούν τους ενεχόμενους κινδύνους. Τα παιδιά δεν πρέπει να παίζουν με τη συσκευή. Τα παιδιά δεν πρέπει να καθαρίζουν και να συντηρούν τη συσκευή χωρίς επιτήρηση.



Ορισμένα μέρη του προϊόντος αυτού μπορούν να γίνουν επικίνδυνα ζεστά και να προκαλέσουν εγκαύματα. Σε χώρους όπου παρίστανται παιδιά και ευάλωτα άτομα, θα πρέπει να δοθεί ιδιαίτερη προσοχή.

- Πριν συνδέσετε τη συσκευή - βεβαιωθείτε ότι η τάση του οικιακού σας δικτύου αντιστοιχεί σε εκείνη που αναγράφεται στην ταμπέλα της συσκευής.
- Μην φύγετε από το σπίτι, ενώ η συσκευή είναι αναμμένη: βεβαιωθείτε ότι ο διακόπτης ισχύος είναι στη θέση OFF(0) (εκτός λειτουργίας). Πάντα βγάζετε το φις από την πρίζα του ρεύματος.
- Κρατάτε το ηλεκτρικό τζάκι σε απόσταση τουλάχιστον 100 εκατοστών μακριά από εύφλεκτα υλικά συμπεριλαμβανομένων επίπλων, μαξιλαριών, κλινοσκεπασμάτων, χαρτιού, ρούχων, κουρτινών κλπ.
- Να μην χρησιμοποιείτε τη συσκευή σε χώρους όπου χρησιμοποιούνται ή αποθηκεύονται εύφλεκτα υλικά. Να μην χρησιμοποιείται η συσκευή σε χώρους με εύφλεκτες ατμόσφαιρες (π.χ. κοντά σε εύφλεκτα αέρια και αερολύματα) - υπάρχει πολύ μεγάλος κίνδυνος έκρηξης και πυρκαγιάς!
- Μην παρεμβάλετε ξένα αντικείμενα μέσω ανοιγμάτων αερισμού (εισερχόμενου ή εξερχόμενου αέρα), επειδή αυτό μπορεί να προκαλέσει ηλεκτροπληξία, πυρκαγιά ή βλάβη στη συσκευή.
- Η συσκευή δεν είναι κατάλληλη για εκτροφή ζώων

και προορίζεται μόνο για οικιακή χρήση!

- Η πιο συνηθισμένη αιτία υπερθέρμανσης είναι η σκόνη και το χνούδι που συσσωρεύονται μέσα στη συσκευή. Τακτικά σκουπίζετε τους αεραγωγούς με ηλεκτρική σκούπα, αφού πρώτα υποχρεωτικά αποσυνδέσετε τη συσκευή από το ηλεκτρικό δίκτυο.
- Ποτέ μην αγγίζετε τη συσκευή με υγρά και βρεγμένα χέρια – υπάρχει κίνδυνος για τη ζωή!
- Η πρίζα πρέπει να είναι ανά πάσα στιγμή προσβάσιμη για να μπορεί το βύσμα να τραβηχτεί κατά ανάγκη όσο δυνατών γρηγορότερα! Ποτέ μην τραβάτε το καλώδιο τροφοδοσίας ή την ίδια τη συσκευή για να αποσυνδέσετε το φις από την πρίζα του ρεύματος.
- Προσοχή! Ο εξερχόμενος αέρας θερμαίνεται κατά τη διάρκεια της λειτουργίας (έως και πάνω από 100°C).
- Αν το καλώδιο τροφοδοσίας παρουσιάζει φθορές, σταματήστε τη χρήση του και απευθυνθείτε στον προμηθευτή/ πωλητή για πρόσθετες οδηγίες.
- Σε περίπτωση που η συσκευή δεν λειτουργεί καλά, κλείστε την και μην την επισκευάσετε. Για οποιαδήποτε επισκευή, συμβουλευτείτε το εξουσιοδοτημένο κέντρο σέρβις εξυπηρέτησης πελατών μετά την πώληση. Μόνο εκεί θα αντικατασταθεί το ελαττωματικό εξάρτημα με γνήσιο ανταλλακτικό. Εάν η προϋπόθεση αυτή δεν τηρείται, η ασφάλεια της συσκευής μπορεί να εκτεθεί σε κίνδυνο.
- Αν αποφασίσετε να σταματήσετε να χρησιμοποιείτε τη συσκευή αυτού του τύπου, συνιστάται να καταστεί άχρηστο καθώς κόψετε το καλώδιο, αφού το έχετε αποσυνδέει από το δίκτυο. Συνιστάται ακόμα να προστατευθείτε από όλους τους κινδύνους που συνδέονται με τη συσκευή, ειδικά για χάριν των παιδιών που θα μπορούσαν να χρησιμοποιήσουν την παλιά συσκευή ως παιχνίδι.
- Ποτέ μην αφήνετε τη συσκευή άσκοπα αναμμένη. Να την αποσυνδέετε από την πρίζα όταν δεν θα τη χρησιμοποιείτε για μεγάλο διάστημα.
- Η συσκευή δεν πρέπει να τοποθετείται ακριβώς κάτω από έναν ηλεκτρικό ρευματολήπτη (πρίζα)!
- **Προσοχή!** Μην χρησιμοποιείτε τη συσκευή αυτή με έναν προγραμματιστή, χρονοδιακόπτη ή οποιαδήποτε άλλη διάταξη που την ανάβει αυτόματα, εφόσον υπάρχει κίνδυνος πυρκαγιάς εάν η συσκευή καλύπτεται ή είναι λανθασμένα τοποθετημένη.
- Τοποθετείτε το καλώδιο τροφοδοσίας έτσι ώστε να μην εμποδίζει το ελεύθερο πέρασμα των προσώπων και να μην πατιέται! Χρησιμοποιείτε μόνο εγκεκριμένα καλώδια τροφοδοσίας (πολύπριζο), κατάλληλα για τη συσκευή, δηλ. που έχουν σήμα πιστότητας!
- Μην λυγίζετε το καλώδιο ρεύματος, κρατάτε το μακριά από αιχμηρές άκρες και μη το τοποθετείτε πάνω σε ζεστές επιφάνειες ή γυμνές φλόγες!
- Ποτέ μη χρησιμοποιείτε αυτή τη συσκευή σε άμεση γεινιάση με μπάνιο, ντους ή πισίνα!
- Μην σηκώνετε τη συσκευή από τη υαλίνη επιφάνεια!

ΣΥΣΚΕΥΑΣΙΑ

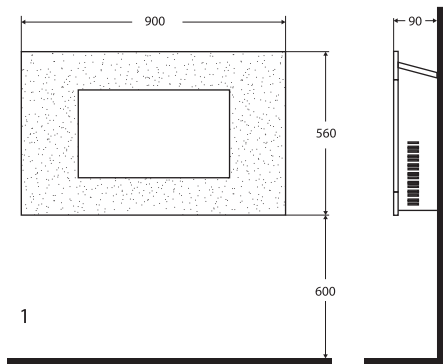
- Μετά την αφαίρεση της συσκευασίας, βεβαιωθείτε ότι η συσκευή δεν έχει υποστεί βλάβη κατά τη μεταφορά και εάν είναι πλήρως εξοπλισμένη. Σε περίπτωση ελλείψεως παράδοσης ή ελαττώματος, επικοινωνήστε με τον εξουσιοδοτημένο πωλητή Σας!
- Μην πετάτε τη γνήσια αρχική συσκευασία! Αυτή θα μπορούσε να χρησιμοποιηθεί για την αποθήκευση και τη μεταφορά για την αποφυγή ζημιών κατά τη μεταφορά!
- Απορρίψτε το υλικό συσκευασίας του προϊόντος με οικολογικά υπεύθυνο τρόπο! Μην επιτρέψετε στα παιδιά να παίζουν με πλαστικές σακούλες!

ΕΓΚΑΤΑΣΤΑΣΗ ΣΥΣΚΕΥΗΣ

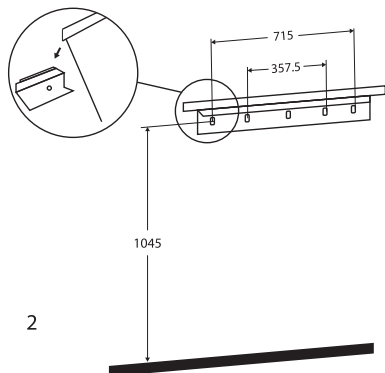


Το τζάκι προορίζεται μόνο για εγκατάσταση σε τοίχο!

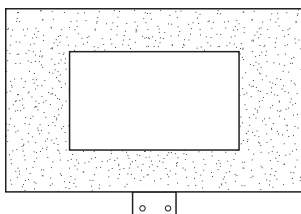
- Το πακέτο εγκατάστασης περιέχει μικρά αντικείμενα που θα πρέπει να φυλαχθούν μακριά από μικρά παιδιά. Προτείνουμε να τοποθετήσετε όλα τα αντικείμενα σε ένα μικρό κουτί και να ασφαλίζονται μακριά από παιδιά.
- Τα μικρά παιδιά δεν πρέπει να παίζουν με τις πλαστικές σακούλες – υπάρχει κίνδυνος ασφυξίας. Προτείνουμε να τις απορρίψετε αμέσως μετά τη λήψη του περιεχομένου τους.
- Μην βάζετε τη συσκευή στην πρίζα μέχρι να εγκατασταθεί σωστά στον τοίχο και να έχετε διαβάσει όλες τις οδηγίες ασφαλείας που περιγράφονται παραπάνω.
- Οι ελάχιστες αποστάσεις μπροστά, πάνω και κάτω από το τζάκι πρέπει να τηρηθούν. Περιγράφονται παραπάνω και απεικονίζονται παρακάτω.
- Όταν εγκαθιστάτε τη συσκευή, θα πρέπει να φροντίσετε να μην βλάψετε κρυμμένα καλώδια. Να είστε προσεκτικοί όταν κάνετε τρύπες για την εγκατάσταση. Υπάρχει κίνδυνος ηλεκτροπληξίας!
- Αυτή η συσκευή είναι σχεδιασμένη για να κρέμεται από έναν τοίχο, τουλάχιστον 300mm μακριά από το πάτωμα. Ο επιτοίχιος βραχίονας θα πρέπει να τοποθετηθεί οριζοντίως. Το καλώδιο τροφοδοσίας θα πρέπει να «φεύγει» από το κάτω δεξί μέρος της συσκευής.



- Προτείνουμε να τοποθετήσετε το τζάκι 600mm από το πάτωμα ώστε να εξασφαλίζεται η βέλτιστη αποτελεσματικότητα (βλ. την εικόνα 1 για προτεινόμενες διαστάσεις εγκατάστασης)
- Για να βλέπετε καλύτερα το τζάκι, σημειώστε τη θέση των πάνω 5 βιδών πάνω στον τοίχο, σύμφωνα με τις προτεινόμενες διαστάσεις εγκατάστασης (βλ. εικόνα 2). Κάντε τις τρύπες με ένα τρυπάνι 6mm.



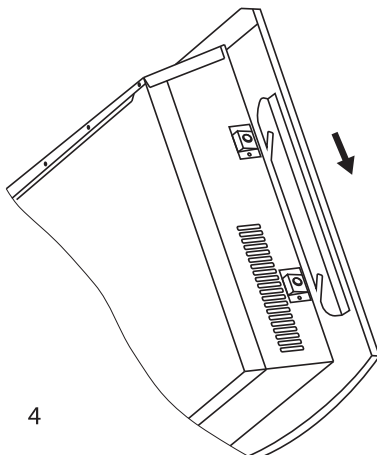
- Προσαρτήστε τον επιτοίχιο βραχίονα χρησιμοποιώντας τις βίδες.
- Σηκώστε προσεκτικά το τζάκι και βεβαιωθείτε ότι το πάνω «περβάζι» πιάνει στον βραχίονα (βλ. εικόνα 2) και ότι το τζάκι είναι κεντραρισμένο.
- Ευθυγραμμίστε προσεκτικά το τζάκι προς τον τοίχο.
- Σημειώστε τη θέση για τις κάτω βίδες (βλ. εικόνα 3) και αφαιρέστε το τζάκι, προσέχοντας ότι ο κάτω βραχίονας είναι γυρισμένος προς τα πάνω και δεν αποτελεί εμπόδιο.



3

- Κάντε τις κάτω τρύπες και στερεώστε στον τοίχο.
- Τοποθετήστε το τζάκι στον επιτοίχιο βραχίονα και περιστρέψτε τον κάτω βραχίονα προς τα κάτω. Χρησιμοποιήστε τις βίδες για να εγκαταστήσετε μόνιμως το τζάκι και να το προστατέψετε από το ενδεχόμενο αποσύνδεσης.

- Ανοίξτε την πλαστική συσκευασία τους κορμούς και τοποθετήστε τα κατά μήκος του στοιχείου εκπομπής φωτός στην επιθυμητή διαμόρφωση και θέση.
- Τοποθετήστε τη γυάλινη επιφάνεια στο τζάκι, ευθυγραμμίζοντας τις επιφάνειες με τις εσοχές στις πλευρές του τζακιού (βλ. εικόνα 4). Συνήθως χρειάζονται δύο άτομα για αυτή τη δουλειά.



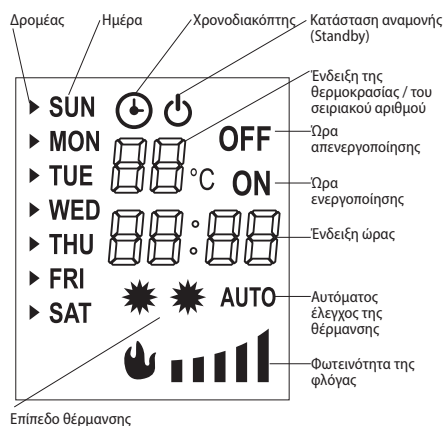
4

Σημείωση: Κατά τη χρήση της συσκευής σε ένα περιβάλλον όπου ο θόρυβος υποβάθρου είναι πολύ μικρός, είναι δυνατόν να ακούγεται ήχος που σχετίζεται με το εφέ φλόγας. Αυτό είναι φυσιολογικό και δεν πρέπει να είναι αιτία ανησυχίας

ΧΡΗΣΗ ΤΟΥ ΤΖΑΚΙΟΥ

Το τζάκι μπορεί να λειτουργήσει με το τηλεχειριστήριο και με τον πίνακα ελέγχου στην πάνω δεξιά πλευρά της συσκευής.

ΟΘΟΝΗ LED



Επίπεδο θέρμανσης

Ένδειξη της θερμοκρασίας και του σειριακού αριθμού

Συνήθως, στην οθόνη εμφανίζεται η θερμοκρασία δωματίου. Κατά τη ρύθμιση της θερμοκρασίας, στην οθόνη εμφανίζεται η θερμοκρασία που ρυθμίζεται.

Όταν ρυθμίζεται ο χρονοδιακόπτης, στην οθόνη εμφανίζεται ο σειριακός αριθμός.

Ένδειξη της ώρας

Συνήθως, η οθόνη εμφανίζει την τρέχουσα ώρα και τα λεπτά. Όταν ρυθμίζεται ο χρονοδιακόπτης, η οθόνη εμφανίζει την ώρα και τα λεπτά που ρυθμίζονται.

Προγραμματισμένη εκκίνηση και απενεργοποίηση

Εμφανίζεται ενώ ρυθμίζεται ο χρονοδιακόπτης και χρησιμοποιείται σε συνδυασμό με τον σειριακό αριθμό της ρύθμισης.

Για παράδειγμα, το:

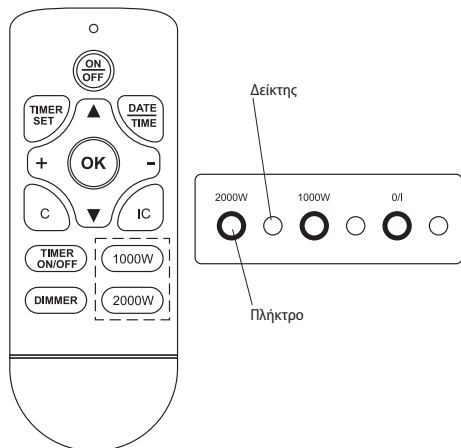
05 ON σημαίνει ότι η ώρα εκκίνησης της ρύθμισης 5
23:40 είναι 23:40;

05 OFF σημαίνει ότι η ώρα απενεργοποίησης της
06:10 ρύθμισης 5 είναι 6:10.

Φωτεινότητα της φλόγας

Εμφανίζει την τρέχουσα φωτεινότητα της φλόγας, που μπορεί να ρυθμίζεται από επίπεδο 1 ως επίπεδο 5. Αυτό το εικονίδιο δεν εμφανίζεται στα μοντέλα με χρωματιστή φλόγα.

ΤΗΛΕΧΕΙΡΙΣΤΗΡΙΟ ΚΑΙ ΠΙΝΑΚΑΣ ΕΛΕΓΧΟΥ



ΒΗΜΑΤΑ ΕΝΕΡΓΟΠΟΙΗΣΗΣ

1. Συνδεθείτε στην τροφοδοσία
2. Βάλτε το διακόπτη λειτουργίας στη θέση «on»
3. Πατήστε το διακόπτη λειτουργίας ή το

πλήκτρο «ON/OFF» στο τηλεχειριστήριο, για να ενεργοποιήσετε τη συσκευή

ΣΥΣΚΕΥΗ ΘΕΡΜΑΝΣΗΣ

1. Πατήστε το πλήκτρο «1000W», για να μπορείτε να ρυθμίσετε τη θέρμανση του τζακιού σε χαμηλή ισχύ και για να απενεργοποιήσετε τη θέρμανση.
2. Πατήστε το πλήκτρο «2000W», για να μπορείτε να ρυθμίσετε τη θέρμανση του τζακιού σε υψηλή ισχύ και για να απενεργοποιήσετε τη θέρμανση.

ΑΥΤΟΜΑΘΗ ΘΕΡΜΑΝΣΗ

Πατήστε το πλήκτρο IC στο τηλεχειριστήριο, για να ενεργοποιήσετε ή να απενεργοποιήσετε την αυτόματη θέρμανση.

Όταν αυτή η λειτουργία είναι ενεργοποιημένη, το τζάκι μπορεί να αλλάξει αυτόματα τη λειτουργία της θέρμανσης, ανάλογα με την καθορισμένη θερμοκρασία και τη θερμοκρασία δωματίου.

Στη λειτουργία προγραμματισμένης εκκίνησης, η θέρμανση μπορεί να ξεκινήσει προτού φθάσει η προγραμματισμένη ώρα.

ΤΖΑΚΙ ΜΕ ΜΟΝΟΧΡΩΜΑΤΙΚΗ ΦΛΟΓΑ ΚΑΙ ΡΥΘΜΙΖΟΜΕΝΗ ΦΩΤΕΙΝΟΤΗΤΑ ΤΗΣ ΦΛΟΓΑΣ

Πρώτος τρόπος: Κρατήστε πατημένο το κουμπί O/I () η φωτεινότητα της φλόγας αλλάζει. Αφήστε το κουμπί όταν φτάσετε στην επιθυμητή φωτεινότητα.

Δεύτερος τρόπος: Πατήστε το κουμπί «DIMMER» στο τηλεχειριστήριο – η φωτεινότητα της φλόγας αλλάζει σταδιακά με κάθε πάτημα του κουμπιού.

ΡΥΘΜΙΣΗ ΤΗΣ ΗΜΕΡΟΜΗΝΙΑΣ ΚΑΙ ΤΗΣ ΩΡΑΣ

1. Οι ρυθμίσεις πραγματοποιούνται μέσω του τηλεχειριστηρίου;
2. Πατήστε το πλήκτρο «DATE TIME», στη συνέχεια πατώντας τα πλήκτρα ▲ ή ▼, επιλέξτε την ημερομηνία.
3. Πατήστε ξανά το πλήκτρο «DATE TIME», στη συνέχεια πατώντας τα πλήκτρα «+» ή «-», ρυθμίστε την ώρα.
4. Πατήστε ξανά το πλήκτρο «DATE TIME», στη συνέχεια πατώντας τα πλήκτρα «+» ή «-», ρυθμίστε τα λεπτά.
5. Πατήστε το πλήκτρο «OK», για να ολοκληρώσετε τις ρυθμίσεις

ΡΥΘΜΙΣΗ ΤΗΣ ΘΕΡΜΟΚΡΑΣΙΑΣ

Η προεπιλεγμένη θερμοκρασία είναι 20°C. Μπορείτε να ρυθμίσετε τη θερμοκρασία στο διάστημα από 15 έως 30°C με τα πλήκτρα «+» ή «-» στο τηλεχειριστήριο (ο χρονοδιακόπτης είναι απενεργοποιημένος).

ΡΥΘΜΙΣΗ ΤΟΥ ΧΡΟΝΟΔΙΑΚΟΠΤΗ

1. Περιγραφή της ρύθμισης

Μπορείτε να ρυθμίσετε έως 10 διαφορετικές ρυθμίσεις του χρονοδιακόπτη.

Κάθε ξεχωριστή ρύθμιση έχει δική της ημερομηνία, ώρα εκκίνησης και ώρα απενεργοποίησης.

Η μέγιστη διάρκεια κάθε ρύθμισης είναι 23 ώρες και 50 λεπτά.

Η καθορισμένη ημερομηνία για κάθε ρύθμιση μπορεί να είναι οποιαδήποτε ημέρα ή οποιεσδήποτε ημέρες της εβδομάδας.

Η ημερομηνία κάθε ρύθμισης είναι η ημερομηνία της ώρας εκκίνησης.

Αν ο καθορισμένος χρόνος απενεργοποίησης πέφτει την επόμενη μέρα, δεν είναι απαραίτητο να ρυθμίσετε την ημερομηνία - το μόνο που χρειάζεται είναι να ρυθμίσετε την ώρα απενεργοποίησης.

2. Έλεγχος των ρυθμίσεων του χρονοδιακόπτη

Πατήστε το πλήκτρο «TIMER SET».

Πατήστε το πλήκτρο «+» ή «-», για να ελέγξετε τον χρόνο εκκίνησης του χρονοδιακόπτη για κάθε μεμονωμένη ρύθμιση.

Για να ελέγξετε τον χρόνο απενεργοποίησης, πατήστε το κουμπί, ▲”.

Πατήστε το πλήκτρο «+» ή «-», για να συνεχίσετε τον έλεγχο.

Για να διαγράψετε την τρέχουσα ρύθμιση, πατήστε το πλήκτρο «C».

3. Βήματα για τον καθορισμό των ρυθμίσεων του χρονοδιακόπτη

(I) Επιλογή ρυθμίσεων

Πατήστε το πλήκτρο «TIMER SET» – ο σειριακός αριθμός της ρύθμισης αρχίζει να αναβοσβήνει.

Με το πάτημα των πλήκτρων «+» ή «-» πηγαίετε στον σειριακό αριθμό της ρύθμισης που πρέπει να ρυθμίσετε ή να αλλάξετε .

(II) Επιλογή της ημερομηνίας

Πατήστε ξανά το πλήκτρο «TIMER SET» – ο δρομέας στα αριστερά της ημερομηνίας αρχίζει να αναβοσβήνει.

Με το πάτημα των πλήκτρων ▲ ή ▼ μετακινήστε το δρομέα στην αντίστοιχη ημερομηνία, πατήστε το πλήκτρο «+», για να προσθέσετε την ημερομηνία ή πατήστε το πλήκτρο «-», για να διαγράψετε την ημερομηνία μέχρι να ολοκληρώσετε την επιλογή των ημερομηνιών.

(III) Ρύθμιση της ώρας εκκίνησης

Πατήστε παρατεταμένα το πλήκτρο «TIMER SET» – η ώρα αρχίζει να αναβοσβήνει.

Με το πάτημα των πλήκτρων «+» ή «-», ρυθμίστε την ώρα.

Πατήστε παρατεταμένα το πλήκτρο «TIMER SET» – τα λεπτά αρχίζουν να αναβοσβήνουν.

Με το πάτημα των πλήκτρων «+» ή «-», ρυθμίστε τα λεπτά.

(IV) Ρύθμιση της ώρας απενεργοποίησης

Πατήστε το πλήκτρο «TIMER SET» – η οθόνη είναι απενεργοποιημένη και η ώρα αρχίζει να αναβοσβήνει.

Με το πάτημα των πλήκτρων «+» ή «-», ρυθμίστε την ώρα.

Πατήστε παρατεταμένα το πλήκτρο «TIMER SET» – τα λεπτά αρχίζουν να αναβοσβήνουν.

Με το πάτημα των πλήκτρων «+» ή «-», ρυθμίστε τα λεπτά.

(V) Ρύθμιση της θερμοκρασίας

Πατήστε το πλήκτρο «TIMER SET» – η καθορισμένη θερμοκρασία αρχίζει να αναβοσβήνει. Στην οθόνη εμφανίζεται η καθορισμένη θερμοκρασία που μπορείτε να ρυθμίσετε πατώντας τα πλήκτρα «+» ή «-».

(VI) Πατήστε το πλήκτρο «TIME SET», για να συνεχίσετε με τις ρυθμίσεις ή πατήστε το πλήκτρο «OK», για να ολοκληρώσετε τη ρύθμιση.

ΚΑΘΥΣΤΕΡΗΜΕΝΗ ΕΝΕΡΓΟΠΟΙΗΣΗ/ ΑΠΕΝΕΡΓΟΠΟΙΗΣΗ ΤΗΣ ΣΥΣΚΕΥΗΣ

Με το πλήκτρο «TIMER ON/OFF» μπορείτε να διαχειρίζεστε την προγραμματισμένη ενεργοποίηση και απενεργοποίηση.

Επανεκκινήστε τη συσκευή μετά από διακοπή ρεύματος. Οι ρυθμίσεις αποθηκεύονται, αλλά είναι απαραίτητο να εισαγάγετε εκ νέου την τρέχουσα ημερομηνία και ώρα.

ΑΣΦΑΛΕΙΑ ΥΠΕΡΘΕΡΜΑΝΣΗΣ

Αυτή η συσκευή διαθέτει μια ασφάλεια, η οποία ενεργοποιείται σε περίπτωση υπερθέρμανσης του τζακιού (για παράδειγμα, λόγω μπλοκαρίσματος του αεραγωγού). Για λόγους ασφάλειας, το τζάκι δεν θα ενεργοποιηθεί ξανά αυτόματα. Για να ενεργοποιήσετε τη συσκευή ξανά, βγάλτε την από την πρίζα τουλάχιστον για 10 λεπτά. Βάλτε την ξανά στην πρίζα και ενεργοποιήστε την. Η συσκευή πρέπει να λειτουργεί κανονικά – σε περίπτωση που αυτό δεν συμβεί είναι απαραίτητο να ελέγξετε τις οπές εισερχόμενου και εξερχόμενου αέρα. Εάν εκεί δεν υπάρχουν προβλήματα (και η συσκευή καθαρίζεται τακτικά από σκόνη), επικοινωνήστε με το κέντρο σέρβις στον τόπο σας.

! Για να αποφευχθεί ο κίνδυνος τυχαίας επανεκκίνησης του θερμοστάτη, δε θα πρέπει να εγκατασταθεί μια εξωτερική διάταξη εναλλαγής, όπως χρονοδιακόπτης ή διακόπτης που συνδέεται σε σειρά που τακτικά ενεργοποιείται και απενεργοποιείται για λόγους ευκολίας.

ΚΑΘΑΡΙΣΜΟΣ

- Υποχρεωτικά πρώτα απενεργοποιήστε το τζάκι από τον διακόπτη και βγάλτε το φως από την πρίζα στον τοίχο. Πριν αρχίσετε να καθαρίσετε το τζάκι, αφήστε το να κρυώσει.
- Καθαρίστε το περίβλημα με υγρό πανί, ηλεκτρική σκούπα ή βούρτσα.
- Ποτέ μην βυθίζετε τη συσκευή σε νερό – υπάρχει κίνδυνος για τη ζωή λόγω ηλεκτροπληξίας
- Ποτέ μη χρησιμοποιείτε βενζίνη, διαλυτικό ή άλλα σκληρά λειαντικά προϊόντα καθαρισμού, γιατί θα προκαλέσετε ζημιά στο περίβλημα της συσκευής.

ΑΠΟΘΗΚΕΥΣΗ

- Πριν να αποθηκεύσετε το τζάκι, αφήστε το να κρυώσει καθώς τον αποσυνδέσετε από την πρίζα.
- Χρησιμοποιήστε τη γνήσια συσκευασία για την αποθήκευση του τζακιού, εάν το ίδιο δεν θα χρησιμοποιείται για αρκετό χρονικό διάστημα. Το προϊόν προστατεύεται από τη σκόνη και βρωμιά, καθώς φυλάσσεται στη γνήσια του συσκευασία.
- Αποθηκεύστε τη συσκευή στη συσκευασία της μόνον αφού κρυώσει εντελώς!
- Το προϊόν πρέπει να φυλάσσεται σε ξηρή θέση, προστατευμένη από την άμεση ηλιακή ακτινοβολία.
- Απαγορεύεται ρητά η αποθήκευση του τζακιού σε νοτισμένους ή υγρούς χώρους.

ΚΑΤΑΛΟΓΟΣ ΣΥΣΚΕΥΑΣΙΑΣ:

Τζάκι	1 τεμάχιο
Επιτοίχιος βραχίονας	1 τεμάχιο
Βίδες στερέωσης και στοιχείο ασφάλειας	1 τεμάχιο
Τηλεχειριστήριο	1 τεμάχιο
Εγχειρίδιο χρήσης	1 τεμάχιο
Κάρτα εγγύησης	1 τεμάχιο

ΤΕΧΝΙΚΑ ΧΑΡΑΚΤΗΡΙΣΤΙΚΑ ΤΗΣ ΣΥΣΚΕΥΗΣ:

Φωτισμός – σύστημα LED (χωρίς ανταλλακτικά)

Μοντέλο	Ονομαστική Ισχύς	Ονομαστική Τάση	Ονομαστική συχνότητα
WEF200SRELW TR	2000W	220-240V~	50Hz



ΠΡΟΣΟΧΗ: Για να αποφευχθεί η υπερθέρμανση, μην καλύπτετε το τζάκι.




Περιβαλλοντικές απαιτήσεις

Οι παλιές συσκευές περιέχουν πολύτιμα υλικά αλλά συνελώς δεν πρέπει να απορρίπτονται μαζί με τα σκουπίδια των νοικοκυριών! Σας παρακαλούμε να συνεργαστείτε με την ενεργό Σας συμβολή στην προστασία του Περιβάλλοντος και να παρέχετε τη συσκευή στους οργανωμένους σταθμούς παράδοσης (εάν υπάρχουν τέτοιοι).

ΠΙΝΑΚΑΣ 2 ΑΠΑΙΤΗΣΕΙΣ ΠΛΗΡΟΦΟΡΗΣΗΣ ΓΙΑ ΗΛΕΚΤΡΙΚΟΥΣ ΤΟΠΙΚΟΥΣ ΘΕΡΜΑΝΤΗΡΕΣ ΧΩΡΟΥ
Αναγνωριστικό(-ά) μοντέλου: 1.WEF200SRELW TR 2000W/220-240V~ 50Hz

Χαρακτηριστικό	Σύμβολο	"Αριθμητική τιμή 1."	Μονάδα	Χαρακτηριστικό	Μονάδα
Θερμική ισχύς				Είδος θερμικής ισχύος μόνον στην περίπτωση των ηλεκτρικών τοπικών θερμοσυσσωρευτών (να επιλεγεί μια δυνατότητα)	
"Ονομαστική θερμική ισχύς"	P_{nom}	2.00	kW	χειροκίνητος ρυθμιστής θερμικού φορτίου με ενσωματωμένο θερμοστάτη	[ναι/όχι]
"Ελάχιστη θερμική ισχύς (ενδεικτική)"	P_{min}	1.00	kW	"χειροκίνητος ρυθμιστής θερμικού φορτίου με ανάδραση θερμοκρασίας δωματίου και/ή θερμοκρασίας εξωτερικού χώρου"	[ναι/όχι]
"Μέγιστη συνεχής θερμική ισχύς"	$P_{max,C}$	2.00	kW	ηλεκτρονικός ρυθμιστής θερμικού φορτίου με ανάδραση θερμοκρασίας δωματίου ή/και θερμοκρασίας εξωτερικού χώρου	[ναι/όχι]
"Βοηθητική κατανάλωση ηλεκτρικής ενέργειας"				παραγωγή θερμότητας υποβοηθούμενη από ανεμιστήρα	[ναι/όχι]
"στην ονομαστική θερμική ισχύ"	e_{lmax}	0.014	kW	Είδος θερμικής ισχύος/ρυθμιστή θερμοκρασίας δωματίου (να επιλεγεί μια δυνατότητα)	
"στην ελάχιστη θερμική ισχύ"	e_{lmin}	0.014	kW	μονοβάθμια θερμική ισχύς και χωρίς ρυθμιστή θερμοκρασίας δωματίου	[όχι]
σε κατάσταση αναμονής	el SB	Stand by 0.00048	kW	"δύο ή περισσότερες χειροκίνητες βαθμίδες χωρίς ρυθμιστή θερμοκρασίας δωματίου"	[όχι]
				"δύο ή περισσότερες χειροκίνητες βαθμίδες χωρίς ρυθμιστή θερμοκρασίας δωματίου"	[όχι]
				με ηλεκτρονικό ρυθμιστή θερμοκρασίας δωματίου	[όχι]
				"με ηλεκτρονικό ρυθμιστή θερμοκρασίας δωματίου και χρονοδιακόπτη ημέρας"	[όχι]
				"με ηλεκτρονικό ρυθμιστή θερμοκρασίας δωματίου και χρονοδιακόπτη εβδομάδας"	[όχι]
				Άλλες δυνατότητες ρύθμισης (επιτρέπονται πολλές επιλογές)	
				ρυθμιστής θερμοκρασίας δωματίου με ανιχνευτή παρουσίας	[όχι]
				"ρυθμιστής θερμοκρασίας δωματίου με ανιχνευτή ανοχτού παραθύρου"	[όχι]
				με δυνατότητα ρύθμισης εξ αποστάσεως	[όχι]
				με ρυθμιστή προσαρμοζόμενης εκκίνησης	[ναι]
				με περιορισμό διάρκειας λειτουργίας	[όχι]
				με αισθητήρα θερμομέτρου μελανής σφαίρας	[όχι]

TESY Ltd
48 Madara Blvd,
Shumen, 9700,
Bulgaria


 **Antes de su uso lea atentamente estas instrucciones y guárdelas para consultas futuras. En caso de entregar este convector a otro propietario, entregue también las instrucciones.**

Felicitaciones por escoger la chimenea eléctrica WEF200SRELW TR. Este producto propone calefacción en el invierno de 1000W o 2000W y permite obtener una temperatura agradable de la habitación según las necesidades individuales. La explotación y el mantenimiento adecuados, según las instrucciones, garantizan un

funcionamiento largo y eficaz de este aparato.

PRECAUCIONES IMPORTANTES E INSTRUCCIONES DE SEGURIDAD:


- No use el aparato para otro propósito que el previsto. Este aparato está previsto solamente para calentar viviendas y no para fines comerciales. Cada uso diferente se considera como inadecuado y por lo tanto peligroso. El fabricante declina cualquier responsabilidad por los daños derivados de un uso incorrecto e imprudente del aparato. ¡La garantía no tendrá validez en caso de incumplimiento de estas instrucciones de seguridad!

 **Niños de menos de 3 años de edad no deben estar cerca del aparato sin supervisión permanente.**

Niños de entre 3 y 8 años de edad pueden utilizar solamente el interruptor de encendido/apagado, a condición que el aparato esté instalado correctamente y esté listo para un funcionamiento normal, si tengan instrucciones para un uso seguro del aparato y entiendan el riesgo.

Niños de entre 3 y 8 años de edad no deben conectar el aparato a la red eléctrica, no deben ajustarlo, limpiarlo o ejercer un mantenimiento.

Niños mayores de 8 años y personas con minusvalías físicas o mentales, tal como personas sin conocimientos y experiencia necesarios no deben usar el aparato sin supervisión o sin instrucciones de un uso seguro del aparato y si no entiendan el riesgo. Los niños no deben jugar con el aparato. Los niños no deben limpiar el aparato sin supervisión.

 **Este aparato funciona a temperaturas elevadas, por lo cual, durante su utilización no toque las superficies calientes por peligro de quemaduras. Ponga especial atención cuando se utiliza el convector cerca de niños o personas con discapacidad.**

- Antes de conectar la unidad a la red eléctrica debe asegurarse de que el voltaje del suministro en su casa corresponde al indicado en la placa de características del aparato.
- No deje el aparato encendido, si va a salir de su hogar: asegúrese de que el interruptor esté en la posición de apagado. Siempre desconecte la unidad de la red eléctrica.
- Mantenga materiales combustibles tales como muebles, almohadas, tendidos de cama, papel, ropa, cortinas, etc. por lo menos a 100cm de distancia del aparato.
- No use la unidad cerca de materiales inflamables, ni cerca de gases inflamables o aerosoles – existe un riesgo enorme de explosión e incendio.
- No introduzca objetos, ni obstruya las rejillas de entrada y salida de aire, porque esto puede provocar una descarga eléctrica, un incendio o una avería en el aparato.
- Este aparato está diseñado solamente para uso doméstico y no para criar animales.
- La causa más frecuente de sobrecalentamiento es la acumulación de pelusa y polvo en el aparato. Limpie a menudo las aberturas de ventilación utilizando una aspiradora. Antes de proceder a la limpieza desconecte la unidad de la red eléctrica.

- Nunca toque el aparato con manos mojados o húmedos – existe riesgo para la vida.
- Para desconectar rápidamente la unidad de la red eléctrica, en caso de necesidad, el enchufe debe estar al alcance fácil del usuario. Para desconectar la chimenea de la red eléctrica nunca lo haga estirando del cable de alimentación o tirando del mismo aparato.
- **ATENCIÓN!** El aire que emite el aparato es bastante caliente (por encima de 100°C).
- No utilice el aparato en caso de que el cable de alimentación esté dañado. Póngase en contacto con el fabricante / el proveedor para más instrucciones.
- En caso de mal funcionamiento de este aparato, desconéctelo y no intente repararlo. Para cada tipo de reparación póngase en contacto con el servicio técnico oficial más cercano, donde sustituirán la pieza defectuosa con una original. El incumplimiento de estas instrucciones podría comprometer la seguridad del aparato.
- En caso de no desear usar más un aparato de este tipo, le recomendamos que lo desconecte de la red eléctrica y corte el cable de alimentación para hacer el aparato inútil. Tome medidas para preservar de daños a los niños que podrían utilizar el aparato amortizado para juegos.
- Desconecte la unidad de la red eléctrica cuando no la use largo tiempo.
- Nunca ubique el aparato directamente debajo de un enchufe.
- **¡ATENCIÓN!** No use el aparato con ningún programador, contador o cualquier otro dispositivo que lo encienda automáticamente, ya que se podría producir un incendio si el aparato está cubierto o está colocado incorrectamente.
- Coloque el cable de alimentación de manera que no obstaculiza el movimiento de personas en la habitación y que ellos no pisan sobre él! ¡Utilice solamente prolongadores autorizados, es decir que tienen un símbolo de homologación!
- No doble el cable de alimentación, ni lo introduzca en aberturas con bordes cortantes. No deje el cable de alimentación en contacto con superficies calientes o con fuego.
- No utilice este aparato próximo a la ducha, bañera, lavabo o piscina.
- No levante la unidad por el vidrio frontal.

EMBALAJE

- Después de quitar el embalaje, verifique que el aparato no esté dañado y que esté equipado por completo. En caso de un daño o suministro incompleto, póngase en contacto con su vendedor.

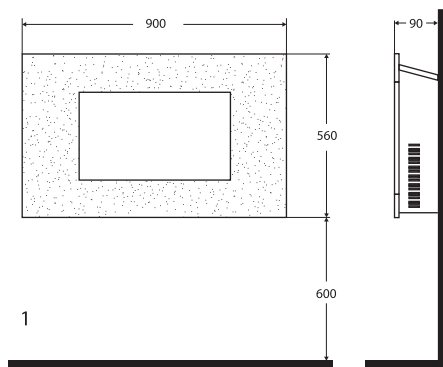
- Guarde la caja original. Se puede utilizar para almacenamiento y transporte del aparato para protegerlo contra daños de transporte.
- Tire todos los materiales de embalaje, respetando las normas para conservación del medio ambiente. No permita que los niños jueguen con las bolsas de plástico.

INSTALACIÓN E INSTRUCCIONES DE USO

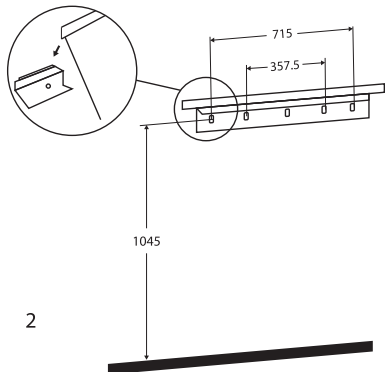


La chimenea está diseñada para usarse solamente después del montaje mural.

- Esta unidad viene con piezas muy pequeñas, que deben estar alejadas de los niños. Sugerimos que coloque las piezas en un recipiente, con fin de alejarlas de los niños.
- No permita que los niños jueguen con las bolsas de plástico – existe un riesgo de asfixia. Tire las bolsas de plástico después de sacar el contenido.
- No conecte la unidad al tomacorriente hasta que esta no se encuentre completamente instalada a la pared y si no han sido leídas todas las instrucciones de seguridad, descritas más arriba.
- Asegúrese de dejar el espacio adecuado en los cuatro lados de la unidad (las distancias mínimas descritas más arriba se muestran más abajo).
- Cuando instale la unidad ponga mucha precaución en no dañar cables internos. Perfere los orificios cuidadosamente. ¡Existe un riesgo de descarga eléctrica!
- Este aparato está previsto para montar en la pared a una altura de 300mm desde el suelo como mínimo. La abrazadera se debe montar en la pared en posición horizontal. El cable de alimentación está ubicado en el ángulo derecho de abajo de la chimenea.

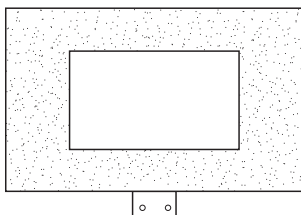


- Se recomienda una altura de 600mm desde el suelo para tener una visualización óptima del efecto ardiente (Mire fig.1 para tamaños recomendables de fijar el aparato).
- Para tener una visualización óptima, marque las posiciones de los 5 tornillos de fijación de arriba según los tamaños recomendables de fijar el aparato (fig.2). Use un taladro de 6 mm).



2

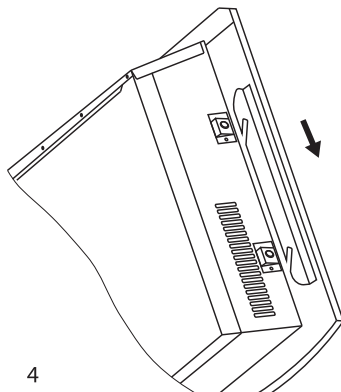
- Monte la abrazadera en la pared usando los tornillos.
- Levante la chimenea con cuidado para que el borde de atrás y abajo se quede sobre la tabla fijada en la pared (fig.2) y póngala en el centro.
- Empuje la chimenea contra la pared con cuidado.
- Marque la posición de los agujeros de abajo (fig.3), quite la chimenea asegurándose que la tabla de fijación de abajo está girada y no impide.



3

- Taladre los agujeros de abajo y fije en la pared.
- Ponga la chimenea en la abrazadera fijada en la pared y gire la abrazadera para fijar la parte de abajo. Use el tornillo de seguridad para fijar la chimenea en la pared completamente y para asegurarse contra el riesgo de desenganchamiento.

- Desembale los baúles de la bolsa de polietileno y póngalos en línea con el elemento que emite luz de la posición y configuración que desea.
- Ponga el cristal delantero asegurándose que las muescas se han fijado una en otra según los ejes de soporte. (Mire fig.4). Habitualmente se necesitan dos personas para hacerlo.



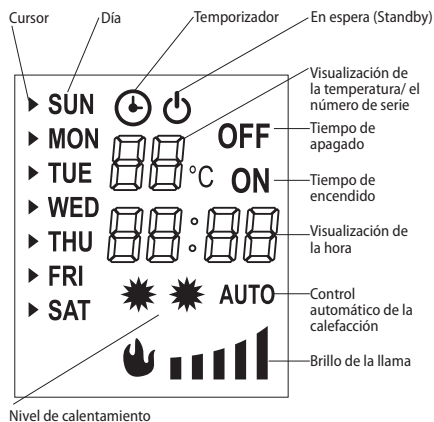
4

Nota: Cuando el aparato funciona en un ambiente donde el ruido del fondo es muy bajo, es posible que se oiga un sonido relacionado con el efecto ardiente. Esto es una cosa normal y no debe ser causa de preocupaciones.

USO DE LA CHIMENEA

La chimenea se puede manejar por las perillas en la parte derecha de arriba o por el control remoto.

PANTALLA LED



Visualización de la temperatura y el número de serie

Por lo general, la pantalla muestra la temperatura ambiente; al programar la temperatura, la pantalla muestra la temperatura que se está ajustando;

Cuando el temporizador se está programando, la pantalla muestra el número de serie.

Visualización de la hora

Por lo general, la pantalla muestra la hora y los minutos actuales; al programar el temporizador, la pantalla muestra la hora y los minutos que se están ajustando.

Encendido y apagado programados

Se muestra mientras que el temporizador se está programando, y se usa en combinación con el número de serie del ajuste.

Por ejemplo,

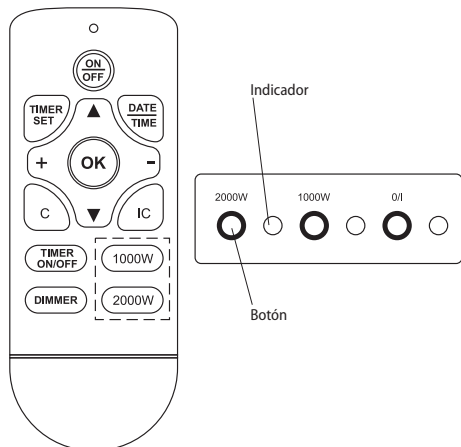
05 ON significa que el tiempo de encendido del ajuste 23:40 es 23:40 hrs;

05 OFF significa que el tiempo de apagado del ajuste 5 es 6:10 hrs.

Brillo de la llama

Muestra el brillo actual de la llama, que se puede ajustar desde el nivel 1 hasta el nivel 5. Este ícono no aparece para los modelos de llamas de colores.

PANEL DE CONTROL REMOTO



PASOS DEL PROCEDIMIENTO PARA EL ENCENDIDO

1. Conectar a la fuente de alimentación
2. Poner el interruptor en posición de „encendido“
3. Presionar el interruptor o el botón „ON/OFF“ en el control remoto para encender el dispositivo

APARATO DE CALEFACCIÓN

1. Presione el botón 1000W („BAJO“) para que pueda ajustar la calefacción a potencia baja de la chimenea y para apagar la calefacción;
2. Presione el botón 2000W („ALTO“), para que pueda ajustar la calefacción a potencia alta de la chimenea y para apagar la calefacción.

CALEFACCIÓN AUTOMÁTICA

Presione el botón IC en el control remoto para activar o desactivar la calefacción automática.

Cuando esta función está activada, la chimenea podrá cambiar automáticamente el modo de calentamiento dependiendo de la temperatura programada y la temperatura ambiente.

En modo de encendido programado, es posible que el calentamiento arranque antes de que haya llegado el tiempo programado.

CHIMENEA CON LLAMA UNICOLOR Y BRILLO DE LLAMA AJUSTABLE

Primera manera: Mantenga presionado el botón O/I (☺) el brillo de la llama cambiará; suelte el botón cuando haya alcanzado el brillo deseado.

Segunda manera: Presione el botón „DIMMER“ en el control remoto: el brillo de la llama cambiará gradualmente con cada pulsación del botón.

CONFIGURACIÓN DE LA FECHA Y HORA

1. La configuración se realiza a través del control remoto;
2. Presione el botón „DATE TIME“, a continuación pulse los botones ▲ o ▼, para seleccionar la fecha;
3. Presione el botón „DATE TIME“ otra vez, a continuación pulse los botones „+“ o „-“, para programar la hora;
4. Presione el botón „DATE TIME“ otra vez, a continuación pulse los botones „+“ o „-“, para programar los minutos;
5. Presione el botón „OK“, para finalizar la configuración

CONFIGURACIÓN DE LA TEMPERATURA

La temperatura predeterminada es de 20°C. Puede programar la temperatura en el rango de 15 a 30°C con los botones „+“ o „-“ en el control remoto (el temporizador está desactivado).

CONFIGURACIÓN DEL TEMPORIZADOR

1. Descripción de la configuración

Puede programar un máximo de 10 ajustes separados del temporizador.

Cada ajuste individual tiene su fecha, hora de encendido y hora de apagado.

La duración máxima de cada ajuste es de 23 horas y 50 minutos.

La fecha programada para cada ajuste puede ser cualquier día o días de la semana.

La fecha de cada ajuste es la fecha del tiempo de encendido.

Si el tiempo de apagado programado cae en el día siguiente, no será necesario ajustar la fecha - solo necesitará programar el tiempo de apagado.

2. Revisión de los ajustes del temporizador

Presione el botón „TIMER SET“.

Pulse el botón „+“ o „-“ para verificar el tiempo de encendido del temporizador para cada ajuste individual.

Para verificar el tiempo de apagado, pulse el botón „▲“.
Pulse el botón „+“ o „-“, para continuar la revisión.

Para borrar el ajuste actual, presione el botón „C“.

3. Pasos del procedimiento para la configuración de los ajustes del temporizador

(I) Elija los ajustes

Presione el botón „TIMER SET“ – el número de serie del ajuste comenzará a parpadear.

Al presionar los botones „+“ o „-“ pasará al número de serie del ajuste que necesite ser programado o cambiado.

(II) Elija la fecha

Presione el botón „TIMER SET“ de nuevo – el cursor a la izquierda de la fecha comenzará a parpadear.

Pulsando los botones ▲ o ▼ mueva el cursor a la fecha apropiada; presione el botón „+“ para agregar la fecha o presione el botón „-“ para borrar la fecha hasta que haya terminado de seleccionar las fechas.

(III) Configuración del tiempo de encendido

Mantenga presionado el botón „TIMER SET“ – la hora comenzará a parpadear.

Presionando los botones „+“ o „-“, programar la hora.

Mantenga presionado el botón „TIMER SET“ – los minutos comenzarán a parpadear.

Presionando los botones „+“ o „-“, programar los minutos.

(IV) Configuración del tiempo de apagado

Presione el botón „TIMER SET“ – la pantalla está apagada y la hora empieza a parpadear.

Pulsando los botones „+“ o „-“, programar la hora.

Mantenga presionado el botón „TIMER SET“ – los minutos comenzarán a parpadear.

Pulsando los botones „+“ o „-“, programar los minutos.

(V) Configuración de la temperatura

Presione el botón „TIMER SET“ – la temperatura programada comenzará a parpadear. La pantalla muestra la temperatura programada que puede ser ajustada pulsando los botones „+“ o „-“.

(VI) Presione el botón „TIME SET“ para continuar con los ajustes o presione el botón „OK“ para finalizar la configuración.

ENCENDIDO/ APAGADO DIFERIDO DEL DISPOSITIVO

Mediante el botón „TIMER ON/OFF“ se puede controlar el encendido y apagado programados.

Reiniciar el dispositivo después de una interrupción del suministro de energía; los ajustes se van a guardar, pero será necesario volver a introducir la fecha y hora actual.

PROTECCIÓN CONTRA RECALENTAMIENTO

El aparato tiene termostato de protección que se enciende cuando la temperatura llega a un nivel alto (por ejemplo cuando los agujeros de aire están bloqueados). Con el propósito de seguridad el termostato no se reiniciará automáticamente. Para que se reinicie el aparato es necesario desenchufarlo, esperar unos 10 minutos y enchufarlo de nuevo. Habitualmente después de esto el aparato debe

funcionar normalmente; si no funciona, se deben mirar los agujeros de aire. Si estos no tienen problemas (y el aparato ha sido limpiado regularmente), póngase en contacto con el servicio técnico oficial más cercano.



Para evitar el riesgo de reiniciación accidental del termostato, no debe poner ningún aparato exterior como temporizador o interruptor que se enciende o apaga para conveniencia.

LIMPIEZA

- Apague la chimenea, desenchufe el aparato de la red eléctrica cuando lo va a limpiar. Déjala que se enfríe.
- Limpie el cuerpo del aparato con un paño ligeramente húmedo, una aspiradora u un cepillo.
- ¡Para evitar el riesgo de una descarga eléctrica, no sumerja el aparato en agua!
- Nunca use bencina, disolvente o productos abrasivos para limpiar el aparato.

CÓMO GUARDAR EL APARATO

- Desenchufe la chimenea cuando no vaya a usarla. Déjala que se enfríe.
- Use la caja original para guardar la chimenea cuando no vaya a usarla. Así la protegerá de polvo y suciedad sobrante.
- ¡No ponga el aparato en su caja cuando está caliente!
- Guarde el aparato en un espacio seco sin acceso directo de la luz solar.
- Está prohibido guardar el aparato en espacios húmedos.

CONTENIDOS DE LA CAJA:

Chimenea eléctrica	1
Abrazadera para montar el aparato en la pared	1
Tornillos de fijación e elemento de seguridad	1
Control remoto	1
Instrucciones	1
Carta de garantía	1

CARACTERÍSTICAS TÉCNICAS DEL APARATO:

Luz - sistema LED (no hay partes cambiables)

Modelo	Potencia Nominal	Tensión Nominal	Frecuencia Nominal
WEF200SRELW TR	2000W	220-240V~	50Hz



¡Atención! ¡Para evitar recalentamiento no cubra el aparato!



Indicaciones para protección medioambiental


¡Los electrodomésticos viejos contienen materiales valiosos y no se deben tirar con la basura habitual del hogar! Le pedimos que proteja los recursos y el medio ambiente y lleve su electrodoméstico viejo a los centros de reciclaje (si existen).

CUADRO 2: REQUISITOS DE INFORMACIÓN QUE DEBEN CUMPLIR LOS APARATOS DE CALEFACCIÓN LOCAL ELÉCTRICOS

Identificador(es) del modelo: 1.WEF200SRELW TR 2000W/220-240V~ 50Hz

Partida	Símbolo	Valor1.	Unidad	Partida	Unidad
Potencia calorífica				Tipo de aportación de calor, únicamente para los aparatos de calefacción local eléctricos de acumulación (seleccione uno)	
Potencia calorífica nominal	P_{nom}	2.00	kW	control manual de la carga de calor, con termostato integrado	[sí/no]
Potencia calorífica mínima (indicativa)	P_{min}	1.00	kW	control manual de la carga de calor con respuesta a la temperatura interior o exterior	[sí/no]
Potencia calorífica máxima continuada	$P_{max,C}$	2.00	kW	control electrónico de la carga de calor con respuesta a la temperatura interior o exterior	[sí/no]
Consumo auxiliar de electricidad				potencia calorífica asistida por ventiladores	[sí/no]
A potencia calorífica nominal	$e_{l,max}$	0.014	kW	Tipo de control de potencia calorífica/de temperatura interior (seleccione uno)	
A potencia calorífica mínima	$e_{l,min}$	0.014	kW	potencia calorífica de un solo nivel, sin control de temperatura interior	[no]
En modo de espera	el SB	Stand by 0.00048	kW	Dos o más niveles manuales, sin control de temperatura interior	[no]
				con control de temperatura interior mediante termostato mecánico	[no]
				con control electrónico de temperatura interior	[no]
				control electrónico de temperatura interior y temporizador diario	[no]
				control electrónico de temperatura interior y temporizador semanal	[sí]
				Otras opciones de control (pueden seleccionarse varias)	
				control de temperatura interior con detección de presencia	[no]
				control de temperatura interior con detección de ventanas abiertas	[no]
				con opción de control a distancia	[no]
				con control de puesta en marcha adaptable	[sí]
				con limitación de tiempo de funcionamiento	[no]
				con sensor de lámpara negra	[no]

TESY Ltd
48 Madara Blvd,
Shumen, 9700,
Bulgaria


 *Antes de utilizar este aparelho, leia o presente manual e guarde-o para futuras consultas. No caso de mudança de proprietário, o aparelho deve ser entregue acompanhado do manual do utilizador.*

Obrigado por ter escolhido a lareira elétrica WEF200SRELW TR. É um aparelho com capacidade de potência de 1000W ou 2000W que proporciona durante a época de Inverno um aquecimento conforme as necessidades para ter uma temperatura confortável na divisão aquecida. Optando por uma utilização correta e cuidados adequados conforme as instruções dadas neste

manual do utilizador, aumentará a vida útil do aparelho.

PRECAUÇÕES IMPORTANTES E INSTRUÇÕES DE SEGURANÇA:


- Este aparelho deve ser utilizado para o fim a que se destina e para o qual foi concebido, i.e. aquecer compartimentos de habitação. O aparelho não se destina a aquecer estabelecimentos comerciais. Qualquer uso diferente será considerado incorreto e por conseguinte perigoso. O fabricante não assume responsabilidade por danos decorrentes de uso impróprio e insensato. A negligência das informações de segurança torna inválida a garantia do aparelho!

 *As crianças com menos de 3 anos não devem aproximar-se do aparelho exceto se estiverem sob vigilância constante.*

Crianças entre os 3 e 8 anos de idade só podem utilizar o botão ligar/desligar do aparelho, caso este último esteja montado e pronto para funcionar normalmente e as crianças sejam vigiadas ou instruídas para o uso em segurança do aparelho e compreendam os riscos potenciais.

Não é permitido ligar à corrente, configurar, limpar ou efetuar qualquer manutenção por crianças de 3 a 8 anos.

Este aparelho pode ser utilizado por crianças maiores de 8 anos de idade ou por pessoas com capacidades físicas, sensoriais ou mentais reduzidas ou com experiência e conhecimentos considerados insuficientes, quando estão supervisionadas ou tenham recebido instrução sobre a utilização em segurança do aparelho e compreendem os riscos. As crianças não devem brincar com o aparelho. As crianças quando não são acompanhadas não devem limpar ou efetuar qualquer manutenção do aparelho.

 *Algumas partes deste produto podem ficar muito quentes e causar queimaduras. Na presença de crianças ou pessoas vulneráveis deve ser prestada especial atenção com o aparelho.*

- Antes de ligar o aparelho, certifique-se de que a voltagem indicada na placa do aparelho corresponde à voltagem da rede elétrica em casa.
- Ao sair de casa, não deixe o aparelho ligado: certifique-se de que a chave está em posição 0 desligada. Desligue sempre o aparelho da tomada.
- Deve manter os objetos facilmente incendiáveis tais como móveis, almofadas, lençóis, papel, roupa, cortinados, etc., a uma distância de pelo menos 100 cm do aquecedor elétrico.
- Não utilize o aparelho em zonas onde são utilizadas ou armazenadas substâncias inflamáveis. Não utilize o aparelho em zonas com atmosferas inflamáveis (por exemplo: em proximidade de gases ou aerossóis inflamáveis), porque existe um grande risco de explosão ou incêndio!
- Não insira nem coloque qualquer objeto nos orifícios de ventilação (na entrada ou saída), visto que tal ação pode causar choque elétrico, incêndio ou danificar o aparelho.
- O aparelho não é apropriado a ser utilizado em compartimentos onde se criam animais, sendo o mesmo destinado somente para uso doméstico!
- A razão mais frequente de sobreaquecimento é a

acumulação de musgo ou pó no aparelho. Limpe regularmente com o aspirador os orifícios de ventilação, sendo obrigatório desligar o aparelho da tomada antes de limpá-lo.

- Nunca toque no aparelho de mãos molhadas ou húmidas – existe perigo de morte!
- A tomada deve ser acessível a todo o momento para que a ficha fêmea seja tirada o mais rápido possível em caso de emergência! Nunca puxe o cabo de alimentação ou o próprio aparelho ao desligá-lo da rede.
- Preste atenção! A saída de ar fica quente durante o funcionamento (acima de 100°C).
- Se o cabo deste aparelho estiver danificado, pare de utilizar o aparelho e entre em contato com o fornecedor/vendedor para obter instruções complementares.
- Se o aparelho não estiver a funcionar como deve ser, desligue-o, mas não o repare. Se precisar de reparação, entre em contato com o Centro de Assistência Técnica para suporte pós-venda. Nesse centro a peça defeituosa será substituída por outra peça original. O desrespeito desta condição compromete a segurança do aparelho.
- Se decidir deixar de utilizar este tipo de aparelho, recomendamos que o torne inutilizável cortando o fio depois de ter desligado o aparelho da rede. Recomendamos igualmente que tome as medidas de precaução necessárias para não permitir que, especialmente, as crianças brinquem com um dispositivo (aparelho) amortizado.
- Nunca deixe o aparelho desnecessariamente ligado. Desligue o aparelho da rede de alimentação quando tenciona não utilizar o aparelho durante muito tempo.
- Nunca coloque o aparelho diretamente abaixo da caixa da tomada!
- **Atenção:** Nunca utilize este aparelho com programador, contador ou outro aparelho que o liga automaticamente porque se o aparelho estiver coberto ou incorretamente colocado, existe um perigo de incêndio.
- Coloque o cabo de alimentação de forma a não incomodar e obstruir a passagem de pessoas e não ser pisado! Utilize somente extensões aprovadas e apropriadas para o aparelho, i.e. munidas da marca de conformidade!
- Não dobre o cabo, não o arraste por cantos agudos e não o coloque por cima de placas quentes ou fogo aberto!
- Nunca desloque o aparelho puxando-o pelo cabo bem como não utilize o cabo para o transporte de objetos!
- Nunca pegue no vidro frontal da lareira.

EMBALAGEM

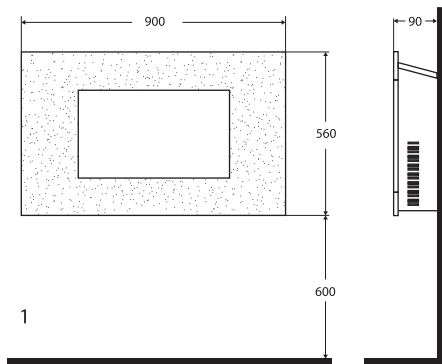
- Depois de tirar o aparelho da embalagem, certifique-se de que este não ficou danificado durante o transporte e todos os componentes estão presentes! Se constatar qualquer dano ou entrega incompleta, entre em contato com o vendedor autorizado!
- Não deite fora a caixa de embalagem original! Guarde a embalagem original para armazenamento futuro ou transporte a fim de evitar danos de transporte!
- Deite fora o material de embalagem de forma apropriada! As crianças não devem brincar com sacos de polietileno!

INSTALAÇÃO E UTILIZAÇÃO DO APARELHO

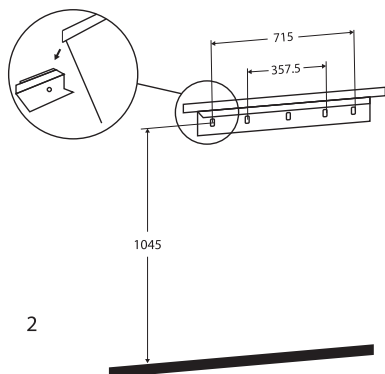


A lareira destina-se para ser montada à parede!

- Os elementos de fixação na embalagem são de tamanho pequeno e é preciso que sejam guardados longe do alcance de crianças pequenas. Recomendamos que guarde todos esses elementos numa caixa pequena mantendo-a longe do alcance das crianças.
- As crianças pequenas não devem brincar com sacos de polietileno – existe o risco de asfixia. Depois de retirar o conteúdo nos sacos, recomendamos que os deite fora.
- Não ligue a lareira enquanto esta não estiver bem fixada à parede e não tiver lido todas as instruções importantes de segurança descritas mais acima.
- As distâncias mínimas por cima e por baixo da lareira devem ser respeitadas conforme são descritas acima e visualizados abaixo.
- Ao montar o aparelho deve ter cuidado para não danificar os condutores incorporados nas paredes. É favor ter cuidado ao furar os orifícios para a montagem à parede. Existe perigo de choque elétrico!
- Este aparelho é concebido para ser fixado à parede em altura mínima de 300 mm do chão. O suporte de fixação à parede deve ser montado horizontalmente. O cabo de alimentação fica no lado inferior direito da lareira.

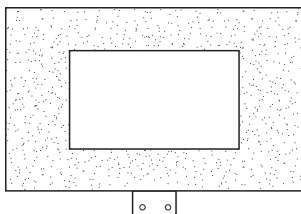


- Uma distância de 600 mm em relação do chão é recomendável para uma visualização máxima do efeito de chama (ver Fig. 1 para as dimensões recomendáveis de fixação).
- Para uma visualização máxima marque as posições dos 5 parafusos superiores para fixação à parede de acordo com as dimensões recomendáveis de fixação (ver Fig.2.) Orifícios de seis mm berbequim).



2

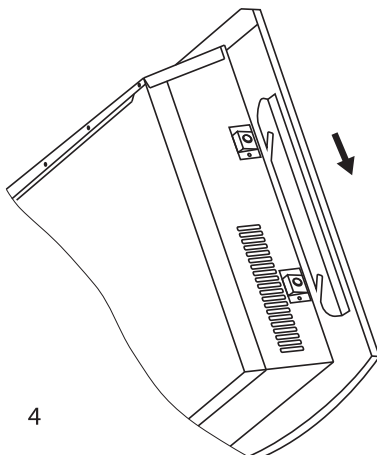
- Coloque o suporte de fixação à parede com a ajuda dos parafusos.
- Levante com cuidado a lareira para cima de forma que a beira superior traseira (borda) da lareira fique por cima da placa superior do suporte de fixação à parede (ver. Fig.2) e coloque-a ao centro.
- Encoste com cuidado a lareira para a parede.
- Marque a posição dos orifícios inferiores (ver Fig.3), tire a lareira, certificando-se de que a placa inferior do suporte de fixação está virada e não impede a montagem.



3

- Fure os orifícios inferiores e fixe à parede.
- Coloque a lareira ao suporte de fixação colocado à parede e rode o suporte de fixação na parte inferior. Utilize o parafuso de segurança para fixar definitivamente a lareira à parede e para evitar qualquer possibilidade de queda.

- Tire os troncos do saco de polietileno e coloque-as ao longo do elemento que emite luz na configuração e posição que pretende.
- Coloque o vidro frontal tomando o cuidado para que os entalhes agrupados dois em dois entrem em cada lado dos eixos de suporte - (ver Fig.4). Geralmente esta operação precisa de ser realizada por duas pessoas.



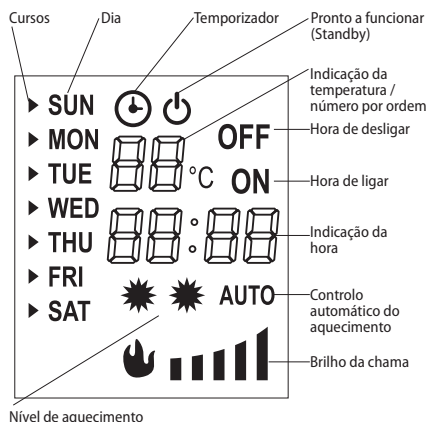
4

Observação: Ao utilizar o aparelho num meio em que o fundo ruidoso é menos, é provável que se oiça um barulho associado ao efeito chama. Isto é normal e não deve preocupá-lo.

UTILIZAÇÃO DA LAREIRA

A lareira pode ser comandada através dos interruptores posicionados na parte superior direita da lareira ou por comando remoto.

ECRÃ LED



Indicação da temperatura e número por ordem

Geralmente o ecrã mostra a temperatura no quarto; ao configurar a temperatura, no ecrã aparece a temperatura configurada; Ao configurar o temporizador, o ecrã indica o número por ordem.

Indicação da hora

Geralmente o ecrã mostra a hora e os minutos presentes; ao configurar o temporizador, o ecrã mostra a hora e os minutos configurados.

Início programado e desligamento

Aparece quando estiver a configurar o temporizador e utiliza-se em combinação com o número por ordem da configuração.

Por exemplo,

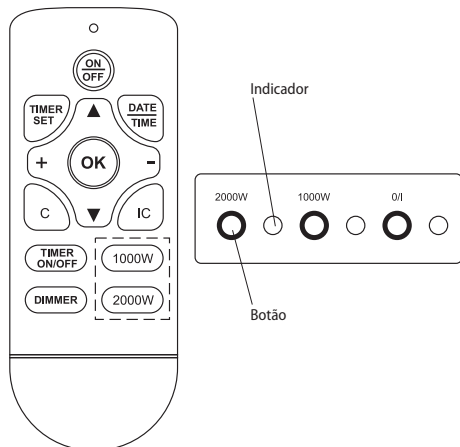
05 ON significa que a configuração 5 fica ativa às 23:40;

05 OFF significa que a configuração 5 deixa de ser ativa às 6:10.

Brilho da chama

Indica o brilho atual da chama que pode ser configurado de nível 1 a nível 5. Este icone não está disponível nos modelos de chama colorida.

CONTROLO REMOTO E PAINEL DE CONTROLO



PASSOS DE LIGAÇÃO

1. Ligue à alimentação
2. Coloque a chave de alimentação em posição «ligado»
3. Carregue na chave de alimentação ou no botão „ON/OFF” do comando remoto para ligar o aparelho

APARELHO DE AQUECIMENTO

1. Carregue no botão 1000W, para poder regular o aquecimento a potência baixa da lareira e para parar o aquecimento;
2. Carregue no botão 2000W, para poder regular o aquecimento a alta potência da lareira e para pararem o aquecimento.

AQUECIMENTO AUTOMÁTICO

Carregue no botão IC do comando remoto para ligar ou desligar o aquecimento automático.

Quando esta função estiver ativa, a lareira pode automaticamente alterar o regime de aquecimento dependendo da temperatura configurada e da temperatura ambiente no quarto.

Quando estiver ligado o modo de início programado, é possível que o aquecimento comece antes da chegada da hora programada.

LAREIRA COM CHAMA DE UMA COR E BRILHO REGULÁVEL DA CHAMA

Primeiro modo: Mantenha premido o botão O/I (☺) o brilho da chama fica alterada; solte o botão quando o brilho desejado for atingida.

Segundo modo: Carregue no botão „DIMMER” do comando remoto – o brilho da chama fica alterado paulatinamente em cada toque no botão.

CONFIGURAR A DATA E A HORA

1. As configurações fazem-se pelo comando remoto;
2. Carregue no botão „DATE TIME”, a seguir nos botões ▲ ou ▼, para escolher a data;
3. Carregue no botão „DATE TIME”, a seguir nos botões „+” ou „-”, para configurar a hora;
4. Carregue novamente o botão „DATE TIME”, a seguir carregue nos botões „+” ou „-”, para configurar os minutos;
5. Carregue no botão „OK”, para finalizar as configurações

CONFIGURAR A TEMPERATURA

A temperatura configurada por padrão é de 20°C. Pode configurar a temperatura na faixa de 15 a 30°C pelos botões „+“ ou „-“ do comando remoto (o temporizador é desligado).

CONFIGURAR O TEMPORIZADOR

1. Descrição da configuração

Pode configurar um máximo de 10 configurações diferentes do temporizador.

Cada configuração tem a sua data, hora de início e hora de desligamento.

A duração máxima de cada configuração é de 23 horas e 50 minutos.

A data configurada de cada configuração pode ser qualquer dia ou dias da semana.

A data de cada configuração representa a data de tempo de iniciação.

Se o tempo configurado de desligação calhar no dia seguinte, não é preciso configurar uma nova data – só é preciso configurar a hora de desligamento.

2. Revisão das configurações do temporizador

Carregue no botão „TIMER SET“.

Carregue no botão „+“ ou „-“, para verificar o tempo de iniciação do temporizador de cada configuração.

Para verificar o tempo de desligação, carregue no botão „▲“.

Carregue no botão „+“ ou „-“, para continuar a revisão.

Para cancelar a presente configuração, carregue no botão „C“.

3. Passos para configurar o temporizador

(I) Escolher as configurações

Carregue no botão „TIMER SET“ – o número por ordem da configuração começa a piscar.

Ao carregar nos botões „+“ ou „-“ pode movimentar-se ao número por ordem da configuração que é necessário configurar ou alterar.

(II) Escolher a data

Carregue novamente no botão „TIMER SET“ – o cursor da esquerda da data começa a piscar.

Ao carregar nos botões ▲ ou ▼ movimento o cursor para a data correspondente; carregue no botão „+“, para adicionar a data ou carregue no botão „-“, para limpar a data até concluir a escolha de datas.

(III) Configurar o tempo de início

Carregue continuamente o botão „TIMER SET“ – a hora começa a piscar.

Ao carregar os botões „+“ ou „-“, configure a hora.

Mantenha pressionado o botão „TIMER SET“ – os minutos começam a piscar.

Para configurar os minutos é preciso carregar nos botões „+“ ou „-“.

(IV) Configurar o tempo de desligamento

Carregue no botão „TIMER SET“ – o ecrã é desligado e a hora começa a piscar.

Ao carregar nos botões „+“ ou „-“, configure a hora.

Mantenha pressionado o botão „TIMER SET“ – os minutos começam a piscar.

Para configurar os minutos é preciso carregar nos botões „+“ ou „-“.

(V) Configurar a temperatura

Carregue no botão „TIMER SET“ – a temperatura configurada começa a piscar. No ecrã aparece a temperatura configurada que pode ser configurada ao carregar nos botões „+“ ou „-“.

(VI) Carregue no botão „TIME SET“, para continuar com as configurações ou carregue no botão „OK“ para terminar a configuração.


ADIAR O MODO LIGAR/DESLIGAR DO APARELHO

Com o botão „TIMER ON/OFF“ pode gerir a ligação e desligação programada.

Reinicie o aparelho após uma perda da alimentação elétrica; as configurações são conservadas, mas é preciso que sejam inseridos novamente os dados atuais de data e hora.

PROTEÇÃO CONTRA O SOBREAQUECIMENTO

O aparelho está equipado com um termostato autoajustável em caso de temperatura alta (por exemplo bloqueio das saídas de ar). Por motivos de segurança o termostato não se reinicia automaticamente. Para ser reiniciado é preciso tirar o cabo da tomada – esperar aproximadamente 10 minutos e voltar a ligar o cabo na tomada. O aparelho normalmente deve retomar o seu funcionamento – se tal não acontecer, deve verificar os orifícios de entrada e saída de ar. Se os orifícios estiverem a funcionar normalmente (e o aparelho tem sido regularmente limpo do pó), contate o centro de assistência técnica da sua área.

 *Para evitar o risco da reiniciação involuntária do relé de proteção, não deve colocar um dispositivo externo de ligação do tipo temporizador ou um interruptor ligado em série com a corrente elétrica que ser utilizado para facilitar o ligar/desligar do aparelho.*

LIMPEZA

- Em primeiro lugar é obrigatório carregar no botão para desligar o aparelho e tirar a ficha da tomada. Antes de começar a limpar a lareira, deixe-a a arrefecer.
- Limpe o corpo com pano húmido, aspirador ou escova.
- Nunca coloque o aparelho em água – existe perigo de morte devido a choque elétrico!
- Nunca utilize gasolina, diluente ou produtos abrasivos para limpar o aparelho, porque podem danificar o revestimento do aparelho.

ARMAZENAMENTO

- Antes de guardar a lareira na embalagem, deixe-a arrefecer desligando-a da tomada.
- Utilize a embalagem original para guardar a lareira, caso esta não seja utilizada por algum tempo. Guardando o produto na embalagem original, este fica protegido contra empoeiramento excessivo e poluição.
- Nunca coloque na embalagem o aparelho ainda quente!
- É preciso conservar o aparelho em lugar seco e protegido da luz direta do sol.
- É expressamente proibido armazenar o aparelho em compartimentos húmidos ou molhados.

PEÇAS NUMA EMBALAGEM:

Lareira	1 unidade
Suporte de fixação à parede	1 unidade
Parafusos de fixação e elemento de segurança	1 unidade
Comando remoto	1 unidade
Manual do utilizador	1 unidade
Carta de garantia	1 unidade

PARÂMETROS TÉCNICOS DO APARELHO:

Iluminação – sistema LED (sem partes substituíveis)

Modelo	Potência declarada	Voltagem declarada	Frequência declarada
WEF200SRELW TR	2000W	220-240V~	50Hz



ATENÇÃO: *Para evitar o sobreaquecimento, não cubra a lareira.*



Indicações para proteção do meio ambiente

Os eletrodomésticos velhos contêm materiais valiosos e por isso não devem ser tratados como resíduos urbanos! Pedimos a sua colaboração para contribuir ativamente na proteção dos recursos e do meio ambiente, entregando o aparelho nos postos especializados para reciclagem (se houver tais).

QUADRO 2: REQUISITOS DE INFORMAÇÃO PARA AQUECEDORES DE AMBIENTE LOCAL ELÉTRICOS

Modelio žymuo (-enys): 1.WEF200SRELW TR 2000W/220-240V~ 50Hz

Elemento	Símbolo	Valor1.	Unidade	Elemento	Unidade
Potência calorífica				Tipo de potência calorífica, apenas para os aquecedores de ambiente local elétricos de acumulação (selecionar uma opção)	
Potência calorífica nominal	P_{nom}	2.00	kW	Comando manual da carga térmica, com termostato integrado	[sim/não]
Potência calorífica mínima (indicativa)	P_{min}	1.00	kW	Comando manual da carga térmica, com retroação da temperatura interior e/ou exterior	[sim/não]
Potência calorífica contínua máxima	$P_{max,C}$	2.00	kW	Comando eletrónico da carga térmica, com retroação da temperatura interior e/ou exterior	[sim/não]
Consumo de eletricidade auxiliar				Potência calorífica com ventilador	[sim/não]
À potência calorífica nominal	e_{lmax}	0.014	kW	Tipo de potência calorífica/comando da temperatura interior (selecionar uma opção)	
À potência calorífica mínima	e_{lmin}	0.014	kW	Potência calorífica numa fase única, sem comando da temperatura interior	[não]
Em estado de vigília	e_{lSB}	Stand by 0.00048	kW	Em duas ou mais fases manuais, sem comando da temperatura interior	[não]
				Com comando da temperatura interior por termostato mecânico	[não]
				Com comando eletrónico da temperatura interior	[não]
				Com comando eletrónico da temperatura interior e temporizador diário	[não]
				Com comando eletrónico da temperatura interior e temporizador semanal	[sim]
				Outras opções de comando (seleção múltipla possível)	
				Comando da temperatura interior, com deteção de presença	[não]
				Comando da temperatura interior, com deteção de janelas abertas	[não]
				Com opção de comando à distância	[não]
				Com comando de arranque adaptativo	[sim]
				Com limitação do tempo de funcionamento	[não]
				Com sensor de corpo negro	[não]

TESY Ltd
48 Madara Blvd,
Shumen, 9700,
Bulgaria



Прочитайте настоящие инструкции прежде чем использовать этот прибор и сохраняйте эти указания для будущего пользования. При изменении владельца, эту инструкцию надо передать вместе с прибором!

Благодарим Вас, что выбрали электрический камин WEF2005RELW TR. Это устройство, которое предлагает отопление зимой – 1000W или 2000W в зависимости от нужд для достижения комфортабельного тепла в отапливаемом помещении. При правильной эксплуатации и уходе, как описано в этой инструкции, прибор

обеспечит Вам много лет полезного функционирования.

ВАЖНЫЕ ПРЕДОХРАНИТЕЛЬНЫЕ МЕРЫ И ИНСТРУКЦИИ БЕЗОПАСНОСТИ:

- Этот прибор должен использоваться только по своему назначению, т.е. отапливать бытовые помещения. Прибор не предназначен для торговых целей. Любое другое употребление надо считать неправильным и следовательно опасным. Производитель не несет ответственность за ущерб, причиненные в результате неправильного и необоснованного использования. Несоблюдение информации безопасности приведет к потере гарантии прибора!



Детей меньше 3-х лет надо держать на расстоянии, если они не находятся под непрерывным наблюдением.

Дети с 3-х до 8-ми лет могут пользоваться только кнопкой вкл./выкл. прибора, при условии, что прибор установлен и готов к нормальной работе и их наблюдали и инструктировали относительно его использования безопасным способом и они понимают, что это может быть опасным.

Детям с 3-х до 8-ми лет нельзя подключать прибор в розетку, настраивать, чистить или выполнять потребительскую поддержку.

Этот прибор можно пользоваться детьми старше 8 лет и лицами ограниченными физическими, сенсорными и умственными способностями, или у которых нет достаточного опыта и познания, если их не наблюдают или не инструктировали относительно безопасного использования прибора и они понимают опасность. Детям нельзя играть с прибором. Очистка и абонентское обслуживание нельзя быть сделано детьми без наблюдения.



Некоторые части этого прибора могут стать очень горячими и могут привести к ожогам. Там, где присутствуют дети и уязвимые люди, должно быть удалено особое внимание.

- Прежде чем подключить прибор, проверьте указанное на табличке напряжение соответствует или нет на напряжение электрической сети в вашем доме.
- Не уходите из дома, пока прибор включен: убедитесь, что прибор находится в выключенном положении. Всегда вынимайте штепсель из розетки, когда не собираетесь использовать прибор в течение некоторого времени.
- Держите легковоспламеняющиеся предметы, как мебели, подушки, спальное белье, бумага, одежды, занавески и т.д. на расстоянии не меньше 100 см от электрического камина.
- Не используйте прибор в зонах, где используются или сохраняются легковоспламеняющиеся вещества. Не используйте прибор в зонах легковоспламеняющихся атмосфер (например: вблизи воспламеняющихся газов и аэрозолей) – существует очень большая опасность от взрыва и пожара!
- Не вставляйте и не допускайте посторонних предметов в отверстия для вентиляции (входящие или выходящие), так как это приведет к поражению электрическим током или создает

опасность от пожара в конвекторе.

- Уреда Прибор не подходит для выращивания животных, и тот же предназначен только для домашнего использования!
- Наиболее распространенной причиной перегрева - накопление пуха и пыли в машине. Регулярно очищайте пылесосом вентиляционные отверстия, а перед этим обязательно отключите прибор от электрической сети. Следите за чистотой электрического камина
- Никогда не трогайте прибор мокрыми руками – существует опасность для жизни!
- Контакт должен быть доступен в любое время, так что вилку возможно бы освободить, если это необходимо, как можно быстрее! Никогда не тяните за сетевой шнур или сам прибор при выключении из сети.
- Обратите внимание! Выходящий воздух нагревается во время работы (больше 100°C).
- Если шнур питания поврежден, прекратите его использование и свяжитесь с поставщиком / продавцом для дополнительных инструкций для устранения проблемы в сервисном центре.
- Если прибор поврежден или функционирует неправильно, остановите и не ремонтируйте его. Для любого ремонта обратитесь за содействие к Сервисному Центру послепродажного обслуживания. Только там могут заменить дефектные части с оригинальными запасными. Несоблюдение этого условия может компрометировать безопасность прибора.
- Если решите переустановить использование прибора этого типа, рекомендуем сделать его неиспользуемым, прерывая шнур, после того, как выключили его из сети. Рекомендуется еще обезопасить, все, связанное с прибором, особенно для детей, которые могли бы использовать амортизированное устройство (прибор) для игры.
- Никогда не оставляйте прибор ненужно включен. Отключите его от сети, когда не будете пользоваться его долгое время.
- Прибор нельзя ставить непосредственно под розеткой!
- **Внимание:** Не используйте этот прибор с программатором, счетчиком или другим устройством, которое автоматически включает его, так как если устройство накрыто или неправильно поставлено, существует опасность от пожара.
- Поставьте шнур питания, так что не мешал бы на движение людей и чтобы не наступали на него! Используйте только утвержденные удлинители, которые подходят для устройства, т. е. имеют знак соответствия!
- Не перегибайте кабель и не тяните его через острые края, не надо ставить его на горячей плите или на открытом огне!
- Никогда не используйте этот прибор в непосредственной близости до ванной, душа или бассейна.
- Не поднимайте камин через переднее стекло.

УПАКОВКА

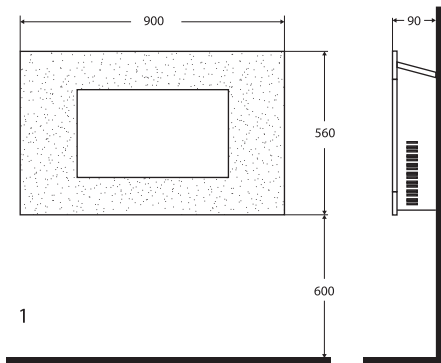
- После распаковки прибора, проверьте не поврежден ли он при транспорте и полностью ли он окомплектован! В случае констатирования повреждения или неполной поставки, свяжитесь с Вашим уполномоченным продавцом!
- Не выбрасывайте оригинальную коробку! Ее можно использовать для сохранения и транспортирования, чтобы избежать транспортные повреждения!
- Утилизация упаковочного материала должна быть сделана правильно. Детям нельзя позволять играть с пластиковыми пакетами!

УСТАНОВКА ПРИБОРА

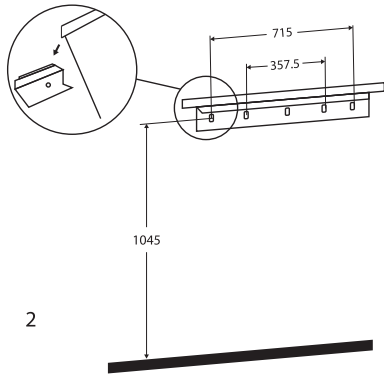


Камин предназначен использоваться единственно для монтажа на стене!

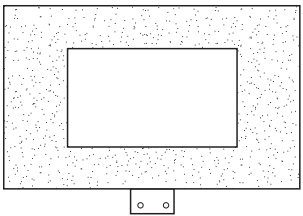
- Фиксированные элементы в упаковке очень маленького размера и необходимо беречь их далеко от маленьких детей. Рекомендуется все элементы держать в маленькую коробку для безопасности детей.
- Маленьким детям нельзя играть с полиэтиленовыми пакетами – существует опасность задушиться.. Рекомендуем выбросит их сразу после того, как берете их содержание.
- Не подключайте электрический камин к сети, пока тот же еще не закреплен крепко к стене, и не прочитали все важные инструкции для безопасности, описанные в части выше.
- Минимальные расстояния перед, над и под камином нужно соблюдать, они описаны выше, а визуализированные ниже.
- При установке прибора надо быть осторожным и не увредит проволока, которые находятся в стене. Поаулыста, будьте внимательными, когда пробиваете отверстия для монтажа. Опасность от токового удара!
- Этот прибор проектирован быть постоянно закреплен к стене на высоте минимум 300 mm от пола. Несущий кронштейн на стене должно монтировать горизонтально. Шнур питания расположен в нижнем правом углу камина.



- Высота от 600 мм от пола рекомендуемая для оптимального визуализирования эффекта пламени (Фиг.1 рекомендация для размера фиксирования).
- Для оптимального визуализирования, маркируйте позиции 5 верхних винтов для закрепления к стене в соответствии с рекомендацией для фиксирующих размерах (Фиг.2. Отверстия с шест мм сверло).



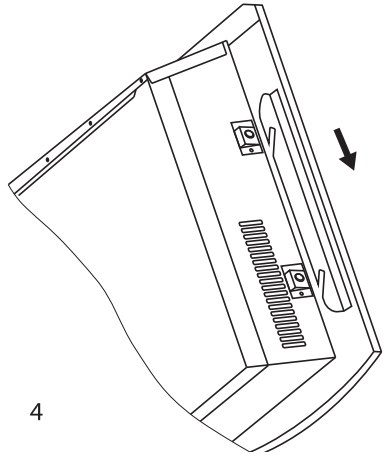
- Фиксируйте несущий кронштейн к стене при помощи винтов.
- Внимательно поднимите камин вверх, так что верхний задний край камина попал над несущей фиксированной пластиной на стене (Фиг.2) и поставьте ее centrally.
- Внимательно прижмите камин к стене.
- Маркируйте позицию нижних дырочек (Фиг.3), удалите камин, если уверены, что сте нижняя фиксирующая пластина перевернута и не мешает.



3

- Просверлите отверстия для нижних дырок и фиксируйте на стене.
- Поставьте камин к несущим кронштейном, фиксированном на стене и переверните кронштейн для фиксирования нижней части. Используйте винт обоспечивания чтобы закрепить окончательно камин к стене и обеспечит против возможности упасть.

- Распакуйте логи от полиэтиленового пакетика и поставьте их по протезию элемента, излучающего света в желанной конфигурации и позиции.
- Поставьте передное стекло, присматривая что они хорошо вошли два по двум в пазах с каждой стороны спрямо опорных осей – (Фиг.4). Обычно нужны двое человек для этой операциии.



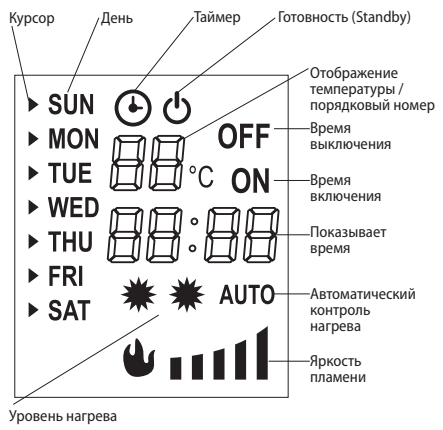
4

Примечание: При использовании прибора в среде, где фоновый шум очень маленький, можно услышать шум, который связан с действием эффектом пламени. Это нормально и не должно быть причиной для беспокойства.

ИСПОЛЬЗОВАНИЕ КАМИНА

Камин можно управлять при помощи переключателей, позиционированных в верхней правой части камина или через дистанционное управление.

LED ДИСПЛЕЙ



Обычно на дисплее отображается температура в помещении; пока делаете настройку температуры, на дисплее отображается температура, которая устанавливается;

При настройке таймера, на дисплее отображается порядковый номер.

Отображение времени

Обычно на дисплее отображается настоящий час и минуты; при настройке таймера, на дисплее отображаются устанавливаемые час и минуты.

Программируемый старт и выключение

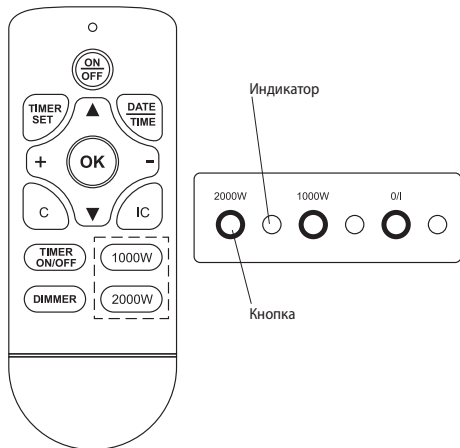
Показывается пока таймер не будет установлен и используется в сочетании с порядковым номером настройки.

Например,
 05 ON означает, что время для начала настройки 5
 23:40 - 23:40;
 05 OFF означает, что время для выключения
 05:10 настройки 5 – 6:10.

Яркость пламени

Показывает текущую яркость пламени, которую можете устанавливать с уровня 1 до уровня 5. Эта иконка не отображается при моделях с цветным пламенем.

ДИСТАНЦИОННОЕ УПРАВЛЕНИЕ И ПАНЕЛЬ УПРАВЛЕНИЯ



ШАГИ ДЛЯ ПОДКЛЮЧЕНИЯ

1. Подключение к источнику питания
2. Установите переключатель питания в положение «включено»
3. Нажмите выключатель питания или кнопку «ON / OFF» на пульте дистанционного управления, чтобы включить прибор

ОТОПИТЕЛЬНЫЙ ПРИБОР

1. Нажмите кнопку 1000W, чтобы сможете регулировать отопление при низкой мощности камина и остановить отопление;
2. Нажмите кнопку 2000W, чтобы сможете регулировать отопление при высокой мощности камина и остановить отопление.

АВТОМАТИЧЕСКОЕ ОТОПЛЕНИЕ

Нажмите кнопку IC дистанционного управления, чтобы активировать или выключить автоматическое отопление.

Когда эта функция включена, камин может автоматически менять режим отопления в зависимости от заданной температуры и температура в комнате.

В режиме программируемого старта возможно чтоб нагрев начать до наступления запрограммированного времени.

КАМИН С ОДНОЦВЕТНЫМ ПЛАМЕНЕМ И РЕГУЛИРУЕМОЙ ЯРКОСТЬЮ ПЛАМЕНИ

Первый способ: Нужно нажать и задержать кнопку O/I (☺) яркость пламени изменяется; отпустите кнопку, когда вы достигнете желаемой яркости.

Второй способ: Нажмите кнопку „DIMMER“ дистанционного управления – яркость пламени изменяется постепенно при каждом нажатии кнопки.

УСТАНОВКА ДАТЫ И ВРЕМЕНИ

1. Настройки выполняются с помощью пульта дистанционного управления;
2. Нажмите кнопку „DATE TIME“, потом нажимая кнопки ▲ или ▼, выберите дату;
3. Нажмите снова кнопку „DATE TIME“, потом нажимая кнопки „+“ или „-“, задайте час;
4. Нажмите снова кнопку „DATE TIME“, потом нажимая кнопки „+“ или „-“, задайте минуты;
5. Нажмите «OK», чтобы завершить настройки

НАСТРОЙКА ТЕМПЕРАТУРЫ

Заданная по умолчанию температура – 20°C. Вы можете установить температуру в диапазоне от 15 до 30°C через кнопки „+“ или „-“ дистанционного управления (таймер выключен).

УСТАНОВКА ТАЙМЕРА

1. Описание настройки

Вы можете установить максимум 10 отдельных настроек таймера.

Каждая отдельная настройка имеет свою дату, время начала и время выключения.

Максимальная длительность каждой настройки 23 часа и 50 минут.

Установленная дата для каждого параметра может быть любой день или дни недели.

Дата каждой настройки представляет дата времени старта.

Если установленное время отключения падает на следующий день, вам не нужно устанавливать дату - вам нужно только установить время выключения.

2. Просмотр настроек таймера

Нажмите кнопку „TIMER SET“.

Нажмите кнопку „+“ или „-“, чтобы проверить время запуска таймера для каждой отдельной установки.

Чтобы проверить время выключения, нажмите кнопку „▲“.

Нажмите кнопку „+“ или „-“, чтобы продолжить просмотр.

Чтобы удалить текущую настройку, нажмите кнопку „C“.

3. Шаги по настройке таймера

(I) Выберите настройку

Нажмите кнопку „TIMER SET“ – порядковый номер настройки начинает мигать.

Нажимая кнопки „+“ или „-“ вы передвигаетесь до порядкового номера настройки, которую нужно задать или изменить.

(II) Выберите дату

Нажимая снова кнопку „TIMER SET“ – курсор слева от даты начинает мигать.

При нажатии кнопки ▲ или ▼ переместите курсор на соответствующую дату; нажмите кнопку „+“, чтобы добавить дату или нажмите кнопку „-“, чтобы удалить дату, пока вы не закончите выбирать даты.

(III) Установка времени для старта

Нажмите длительно кнопку „TIMER SET“ – час начинает мигать.

Нажимая кнопки „+“ или „-“, установите час.

Нажмите длительно кнопку „TIMER SET“ – минуты начинают мигать

Нажимая кнопки „+“ или „-“, установит минуты.

(IV) Установка времени выключения

Нажмите кнопку „TIMER SET“ – дисплей выключен и время начинает мигать.

Нажимая кнопки „+“ или „-“, установите время.

Нажмите длительно кнопку „TIMER SET“ – минуты начинают мигать.

Нажимая кнопки „+“ или „-“, установите минуты.

(V) Установка температуры

Нажмите кнопку „TIMER SET“ – заданная температура начинает мигать. На дисплее отображается заданная температура, которую можете установить нажимая кнопки „+“ или „-“.

(VI) Нажмите кнопку „TIME SET“, чтобы продолжить настройку или нажмите кнопку „OK“, для завершения настройки.

ОТЛОЖЕННОЕ ВКЛЮЧЕНИЕ/ВЫКЛЮЧЕНИЕ НА ПРИБОРЕ

Через кнопку „TIMER ON/OFF“ вы можете управлять запрограммированным включением и выключением.

Нужно перезапустить прибор после сбоя электропитания; настройки сохраняются, но необходимо повторно ввести текущую дату и время.

ЗАЩИТА ОТ ПЕРЕГРЕВА

Это прибор оснащен защитным термовыключателем, который задействуется при высокой температуре (например блокировка выходящих отверстий для воздуха). С целью безопасности, термовыключатель не может рестартоваться автоматически. Чтобы рестартировать его, нужно удалить шнур от розетки – подождать около 30 до 60 секунд и снова включить штепсел, в розетке. Прибор заработает нормально. Если это не произойдет – нужно проверить входящие и выходящие отверстия. Если у них все нормально (и вы регулярно очищали прибор от пыли) обратитесь к сервисному центру в вашем населенном месте.



Во избежании опасности от непреднамеренного рестартирования термовыключателя, к прибору нельзя ставить внешнее устройство для переключения, как таймер, или соединенный последовательно в цепь выключатель, который регулярно включается или выключается для удобства.

ОЧИСТКА

- Обязательно надо отключить прибор и вынуть штепсель из розетки в стене. Прежде чем начать чистить камин, оставьте его охладиться, отключая от розетки
- Протирайте корпус влажной тряпкой, пылесосом или щеткой.
- Никогда не погружайте прибор в воду – это опасно для жизни из-за поражения электрическим током!
- Никогда не используйте бензин, растворитель или жесткие абразивные чистящие средства, так как они могут повредить покрытие устройства.

ХРАНЕНИЕ

- Перед хранением камина, оставьте его охладиться, отключая от розетки
- Используйте оригинальную упаковку для сохранения камина если не будете пользоваться его известное время. Данный продукт защищен от пыли и грязи при сохранении его в оригинальной упаковке.
- Никогда не храните теплый прибор в его упаковке!
- Продукт нужно хранить в сухом и защищенном от прямых солнечных лучей месте.
- Категорически запрещается его хранение во влажных или мокрых помещениях.

ОБОРУДОВАНИЕ В ОДНОМ ПАКЕТЕ:

Камин	1 шт
Кронштейн для фиксации к стене	1 шт
Фиксирующие винты и элемент обеспечения	1 шт
Дистанционное управление	1 шт
Инструкция	1 шт
Карта гарантии	1 шт

ТЕХНИЧЕСКИЕ ПАРАМЕТРЫ ПРИБОРА:

Освещение - LED система (нет заменяемых частей)

Модель	Объявленная мощность	Объявленное напряжение	Объявленная частота
WEF200SRELW TR	2000W	220-240V~	50Hz



ВНИМАНИЕ: во избежание перегрева не накрывайте камин.



Инструкции по защите окружающей среде.

Старые электроприборы содержат ценные материалы и поэтому нельзя выбрасывать их вместе с бытовыми отходами! Мы просим вас содействовать своим активным вкладом для сохранения окружающей среды и нужно передать его в организованных пунктах (если есть такие)



Būtinai perskaitykite šią instrukciją prieš pradėdami naudoti produktą, ir išsaugokite ją ateičiai. Keičiantis savininkui, eksploataavimo instrukcija turi būti perduota kartu su įrenginiu!

Dėkojame, kad įsigijote elektrinis židinytis WEF200SRELW TR. Tai yra straišpnis, kuris suteikia šildymą nuo 1000 W arba 2000 W žiemą, kiek reikia norint pasiekti komfortišką šilumą šildomoje patalpoje. Teisingai eksploatuojant ir prižiūrint įrenginį, kaip aprašyta šioje instrukcijoje, įrenginys tarnaus jums daugelį metų

naudingą funkcijavimą.

SVARBIOS APSAUGOS PRIEMONĖS IR SAUGOS INSTRUKCIJOS:

- Šis įrenginys turi būti naudojamas tik pagal paskirtį, t.y. buitinių patalpų apšildymui. Prietaisas nėra skirtas komerciniams tikslams. Bet koks kitoks pritaikymas laikomas neteisingu ir pavojingu. Gamintojas negali atsakyti už gedimus, kuriuos sukėlė neteisingas ir neprotingas įrenginio naudojimas. Dėl saugumo informacijos nesilaikymo įrenginio garantija tampa negaliojanti!



Vaikai, jaunesni nei 3 metų, neturi būti prileidžiami prie įrenginio, išskyrus atvejus, kai jie nuolat prižiūrimi.

Vaikai nuo 3 iki 8 metų gali tik naudotis mygtuku įj./išj., su sąlyga, kad įrenginys yra sumontuotas ir paruoštas normaliam darbui, o vaikai yra stebimi ir buvo instruktuoti, kaip juo saugiai naudotis, ir supranta, kad tai gali būti pavojinga.

Vaikai nuo 3 iki 8 metų neturėtų įjungti įrenginio į tinklą, nustatinėti jo, valyti ar kitaip prižiūrėti.

Šį įrenginį gali naudoti vaikai vyresni nei 8 metų ir asmenys su ribotomis fizinėmis, emocinėmis arba protinėmis galimybėmis, taip pat su patirties ir žinių trūkumu, išskyrus atvejus, kai jie yra stebimi, arba juos instruktavo asmuo, atsakantis už jų saugumą, kaip elgtis su įrenginiu. Būtina stebėti, kad maži vaikai nežaistų su įrenginiu! Vaikai negali valyti ir prižiūrėti įrenginio, jeigu jie nėra stebimi.



Kai kurios įrenginio dalys gali labai įkaisti ir sukelti nudegimų pavojų. Ten, kur yra vaikų ir kitų pažeidžiamų asmenų, turi būti atkreipiamas ypatingas dėmesys.

- Prieš montuodami šildytuvą, patikrinkite, ar nurodyta lentelėje įtampa atitinka elektros tinklo įtampą namuose (biure).
- Neišeikite iš namų, kol įrenginys yra įjungtas: įsitikinkite, kad mygtukas yra padėtyje „0“ - “išjungta”. Visada ištraukite įrenginio kištuką iš lizdo.
- Laikykite lengvai užsiliepsnojančius daiktus, kaip baldai, pagalvės, patalynė, popierius, drabužiai, užuolaidos ir kt. bent 100 cm atstumu nuo elektrinio židinio.
- Nenaudokite įrenginio zonose, kuriose naudojamas ar saugomos degios medžiagos. Nenaudokite įrenginio zonose, kuriose gali būti degių atmosferų (pavyzdžiui, arti dujų ar aerozolių) – yra labai didelis sprogo ir gaisro pavojus!
- Neleiskite, kad svetimkūniai patektų į ventiliacijos angas (įleidimo ar išleidimo), nes tai gali sukelti elektros smūgį, gaisrą ar ventilatoriaus gedimą.
- Įrenginys netinka gyvūnų priežiūrai, jis skirtas tik naudojimui namuose!
- Dažniausia priežastis, dėl perkaitimo yra pūkelių ir dulkių kaupimas į mašiną. Reguliariai reikia susiurbti ventiliacijos angas, bet prieš to būtinai išjungti prietaisą iš tinklo.

- Niekada nelieskite įrenginio šlapiomis ar drėdnomis rankomis – yra pavojus gyvybei!
- Lizdas turi būti pasiekiamas bet kuriuo metu, kad prireikus kištukas galėtų būti ištrauktas kiek galima greičiau! Niekada netraukite maitinimo laido arba paties įrenginio išjungdami jį iš tinklo.
- Prisiimkite savo dėmesio, kad! Šalinamo metu oras tektų pasišildyti (iki daugiau nei 100°C).
- Jeigu maitinimo laidas bus pažeistas, saugumo tikslais nebenaudokite įrenginio ir kreipkitės į tiekėją / pardavėją už tolesnės instrukcijos.
- Jeigu įrenginys netvarkingas arba neteisingai funkcionuoja, sustabdykite jį ir neremontuokite. Dėl bet kokie remonto kreipkitės į aptarnavimo po pardavimo centrą. Tik ten pakeis sugedusią dalį tokia pačia originalia dalimi. Šios sąlygos nesilaikymas gali привести prie to, kad įrenginys nebus saugus.
- Jeigu nuspręsite nebenaudoti šio tipo įrenginio, rekomenduojama tai padaryti įrenginį netinkamas, pjojvindamas laidą, prieš tai išjungę jį iš tinklo. Jeigu nuspręsite nebenaudoti šio tipo įrenginio, rekomenduojama nuimti laidą, prieš tai išjungę jį iš tinklo. Rekomenduojama vengti visų pavijų, ypačiai saugoti įrenginį nuo vaikų, kurie gali panaudoti įrenginį žaidimams.
- Niekuomet nepalikite prietaiso įjungtas be reikalo. Išjunkite jį iš maitinimo tinklo, kai nenaudojate ilgesnį laiką.
- Įrenginio nerekomenduojama montuoti nedelsiant po liuzdu!
- **DĖMESIO:** Nenaudokite šio įrenginio su programavimo įrenginiu, skaitikliu ar kitu įrenginiu, kuris automatiškai jį įjungia, nes jeigu įrenginys yra uždengtas arba neteisingai pastatytas, yra gaisro pavojus.
- Įdėkite maitinimo laidą taip, kad jis neturi trukdyti žmonių judėjimui, ir kad negali būti vaikščiyo. Naudokite tik aprobuotus ilgintuvus, tinkančius įrenginiui, kadangi jie turi atitikties ženklą!
- Netempkite laido per aštirus kampus ir nedėkite jo ant karštų paviršių arba prie atviros ugnies!
- Niekada nenaudokite šio įrenginio arti vonios, dušo ar baseino.
- Nekeikite židiny, traukiantis už priekines duris.

PAKUOTĖ

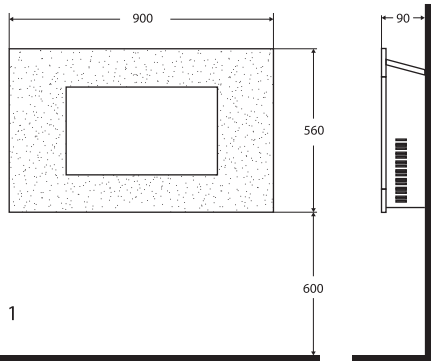
- Išpakavę įrenginį, patikrinkite, ar jis gabenimo metu nebuvo pažeistas ir ar yra pilnai sukomplektuotas! Jeigu nustatėte pažeidimą arba nepilną komplektą, susisieki su savo įgaliotu pardavėju!
- Neišmeskite originalios pakuotės! Ją galima naudoti saugojimui ir gabenimui, siekiant išvengti pažeidimų!
- Pakavimo medžiagą reikia tinkamai išmesti! Reikia saugoti, kad vaikai nežaistų su polietileno maišeliais!

ĮRENGINIO MONTAVIMAS

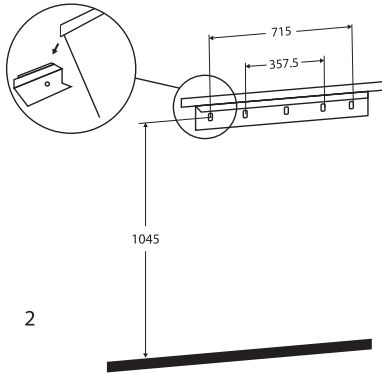


Įrenginys skirtas tik naudoti po montavimo ant sienos.

- Nustatyti elementai pakuotėje yra nedideli ir turi būti laikomi toliau nuo vaikų. Mes rekomenduojame, kad visi daiktai saugoti sudedami į mažą dėžutę ir apsaugoti nuo vaikų.
- Maži vaikai neturėtų žaisti su plastikinius maišelius - yra užduosimo pavojus. Mes rekomenduojame išmesti plastikinius maišelius nedelsiant po to, kai jų turinį
- Nejunkite elektros židinio, o pats netinkamai pritvirtintas prie sienos ir jį neperskaitėte visus svarbius saugos nurodymais, kokie yra aprašytas anksčiau.
- Minimalūs atstumai iki virš ir po gaubtu turi būti laikomasi taip, kaip aprašyta viršuje ir regimos žemiau.
- Montuodami prietaisą, reikėtų pasirūpinti, kad nebūtų pažeisti laidai iškasti į sieną. Būkite atsargūs, kai gręžiate tvirtinimo skyles. Elektros smūgio pavojus!
- Šis įrenginys yra skirtas būti stacionariai pridamas prie sienos ne mažiau kaip 300mm virš grindų. Tvirtinimo kronšteinai ant sienos turi būti montuojamas horizontaliai. Maitinimo laidas yra išsidėstymas židinio apatiniame dešiniajame kampe.

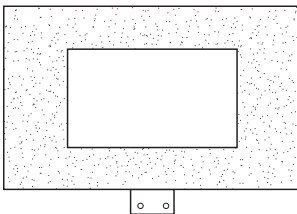


- Aukštis 600 mm nuo grindų yra rekomenduojama optimaliai degimo poveikio vizualizacijai (žr. 1 pav. rekomenduojamoms matmenų nustatymams)
- Siekiant optimalaus žiūrėjimo, Pasižymėkite 5 viršutinių varžtų pozicijas tvirtinimui prie sienos pagal rekomenduojamas tvirtinimo matmenis (žr. 2 pav. Skylės su šešiomis mm grąžtu).



2

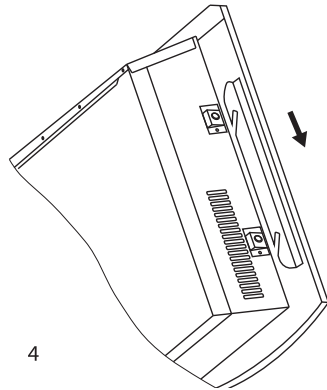
- Nustatyti paramos laikiklį prie sienos varžtais.
- Atsargiai pakelkite židinio taip, kad viršutinis galinio židinio kraštas (pasienis) patektu viršun guolio plokštelės, pritvirtintos prie sienos (žr. Paveikslas 2) ir įdėkite jį centrinėje.
- Švelniai paspauskite židiny pri sienos.
- Pažymėkite apatinių skylių pozicijos (žr. 3 paveikslą), išimkite židinio užtikrinant, kad apatinis tvirtinimo laikiklis yra pasukamas ir netrukdo.



3

- Išgręžkite skylės apatinių angams ir pritvirtinkite prie sienos.
- Įdėkite židiny paramos laikiklyje, pritvirtintame prie sienos, ir pasukite apkabą, kad nustatyti dugną. Pasinaudokite draudimo varžtą užtikrinti galutinį židinio ant sienos ir apsaugoti nuo atjungimo galimybes.
- Išpakuokite bagažinė iš plastikinį maišelį ir įdėkite juos išilgai šviesos elementas pageidaujama konfigūraciją ir pareigoje.

- Įdėkite priekinio stiklo, žiūrėdamas kad būtų įvedės po du griovelius ant kiekvienos vežimėliuos ašies pusėje (žr. 4 paveikslą). Šiai operacijai paprastai trunka du žmones.



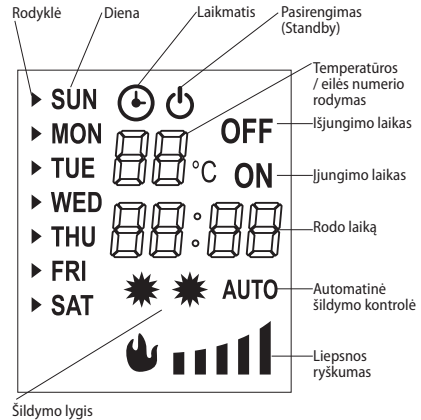
4

Pastaba: Naudojant įrenginį aplinkoje su labai mažu garso fonu, gali girdėtis garsas, susijęs su liepsnos efektu veikla. Tai yra normalu ir neturi kelti nerimo.

ŽIDINIO NAUDOJIMAS

Židiny gali būti valdomas jungikliais, kurie yra išdėstyti židinio viršutinėje dešinėje pusėje, arba nuotolinio valdymo pultu.

LED DISPLĖJUS



Šildymo lygis

Temperatūros ir eilės numerio rodymas

Paprastai displėjus rodo kambario temperatūrą; kai nustatoma temperatūra, displėjuje rodoma nustatyta temperatūra;

Kai nustatomas laikmatis, displėjuje rodomas eilės numeris.

Valandos rodymas

Paprastai displėjus rodo esamą valandą ir minutes; kai nustatomas laikmatis, displėjus rodo nustatytą valandą ir minutes.

Užprogramuotas startas ir išjungimas

Rodoma, kol nustatomas laikmatis ir naudojamas kombinacijoje su nustatymo eilės numeriu.

Pavyzdžiui,

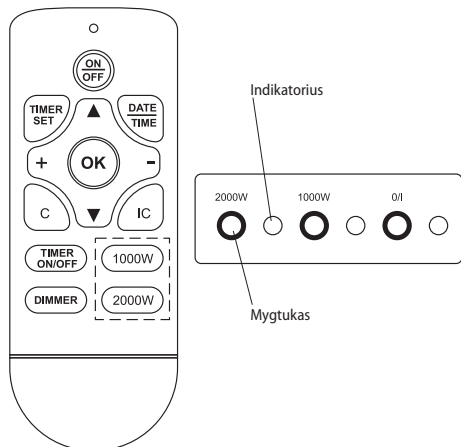
05 ON reiškia, kad 5 nustatymo starto laikas yra 23:40;
23:40

05 OFF reiškia, kad 5 nustatymo išjungimo laikas yra
06:10 6:10

Liepsnos ryškumas

Rodomas esamas liepsnos ryškumas, kuris gali būti nustatomas nuo 1 lygio iki 5 lygio. Šis paveikslėlis nerodomas modeliuose su spalvota liepsna.

NUOTOLINIS VALDYMAS IR VALDYMO SKYDELIS



IJUNGIMO ŽINGSNIAI

1. Įjunkite į tinklą
2. Nustatykite įjungimo raktą į padėtį „įjungta“
3. Paspauskite įjungimo raktą arba mygtuką „ON/OFF“ nuotolinio valdymo pulte, kad įjungtumėte įrenginį

ŠILDYMO ĮRENGINYS

1. Paspauskite mygtuką 1000W, kad galėtumėte reguliuoti šildymą žemame įrenginio šildymo lygyje ir norėdami išjungti šildymą;
2. Paspauskite mygtuką 2000W, kad galėtumėte reguliuoti šildymą aukštame įrenginio šildymo lygyje ir norėdami išjungti šildymą

AUTOMATINIS ŠILDYMAS

Paspauskite mygtuką IC nuotolinio valdymo pulte, norėdami aktyvuoti arba išjungti automatinį šildymą.

Kai ši funkcija yra aktyvuota, krosnelė gali automatiškai keisti šildymo režimą priklausomai nuo nustatytos temperatūros ir kambario temperatūros.

Užprogramuoto starto režimu galima nustatyti, kad įrenginys pradėtų šildyti prieš prasidedant užprogramuotam laikui.

KROSNELĖ SU VIENSPALVE LIEPSNA IR REGULIUOJAMAS LIEPSNOS RYŠKUMAS

Pirmas būdas: Palaikykite paspaustą mygtuką O/I (☺) liepsnos ryškumas pasikeis; paleiskite mygtuką, kai pasieksite pageidaujamo ryškumo.

Antras būdas: Paspauskite mygtuką „DIMMER“ nuotolinio valdymo pulte – liepsnos ryškumas keisis palaipsniui, kaskart spaudžiant mygtuką.

DATOS IR VALANDOS NUSTATYMAS

1. Nustatymai atliekami nuotolinio valdymo pultu;
2. Paspauskite mygtuką „DATE TIME“, tada, spausdami mygtukus ▲ arba ▼, pasirinkite datą;
3. Vėl paspauskite mygtuką „DATE TIME“, po to, spausdami mygtukus „+“ arba „-“, nustatykite valandą;
4. Vėl paspauskite mygtuką „DATE TIME“, po to, spausdami mygtukus „+“ arba „-“, nustatykite minutes;
5. Paspauskite mygtuką „OK“, kad užbaigtumėte nustatymus

TEMPERATŪROS NUSTATYMAS

Nustatyta pagal išankstinį nustatymą temperatūra yra 20°C. Galite nustatyti temperatūrą diapazonu nuo 15 iki 30°C mygtukais „+“ arba „-“ nuotolinio valdymo pulte (laikmatis yra išjungtas).

LAIKMAČIO NUSTATYMAS

1. Nustatymo aprašymas

Galite užprogramuoti daugiausiai 10 atskirų laikmačio nustatymų.

Kiekvienas atskiras nustatymas turi savo datą, starto laiką ir išjungimo laiką.

Kiekvieno nustatymo maksimali trukmė yra 23 valandos ir 50 minučių.

Kiekviename nustatyme gali būti nustatyta bet kokia savaitės diena arba dienos.

Kiekvieno nustatymo data yra starto laiko data.

Jeigu nustatytas išjungimo laikas yra kitą dieną, nėra būtina nustatyti datos – reikia tik nustatyti išjungimo laiką.

2. Laikmačio nustatymų apžvalga

Paspauskite mygtuką „TIMER SET“.

Paspauskite mygtuką „+“ arba „-“, norėdami patikrinti laikmačio starto laiką kiekvienam atskiram nustatymui.

Norėdami patikrinti išjungimo laiką, paspauskite mygtuką „▲“.

Paspauskite mygtuką „+“ arba „-“, norėdami tęsti apžvalgą.

Norėdami ištrinti šį nustatymą, paspauskite mygtuką „C“.

3. Laikmačio nustatymo žingsniai

(I) Pasirinkite nustatymus

Paspauskite mygtuką „TIMER SET“ – nustatymo eilės numeris pradės žybsėti.

Paspausdami mygtuką „+“ arba „-“, pasieksite nustatymo, kurį reikia pakeisti arba nustatyti, eilės numerį.

(II) Pasirinkite datą

Iš naujo paspauskite mygtuką „TIMER SET“ – rodyklė kairėje pusėje nuo datos pradės žybsėti.

Paspausdami mygtuką ▲ arba ▼ perkelkite rodyklę atitinkamos datos; paspauskite mygtuką „+“, norėdami pridėti datą, arba paspauskite mygtuką „-“, norėdami ištrinti datą, kol galutinai išsirinksite datą.

(III) Starto laiko nustatymas

Palaikykite paspaudę mygtuką „TIMER SET“ – valanda pradės žybsėti.

Paspausdami mygtukus „+“ arba „-“, nustatykite valandą. Palaikykite paspaudę mygtuką „TIMER SET“ – minutės pradės žybsėti.

Paspausdami mygtukus „+“ arba „-“, nustatykite minutes.

(IV) Išjungimo laiko nustatymas

Paspauskite mygtuką „TIMER SET“ – displėjus yra išjungtas, ir valanda pradeda žybsėti.

Paspausdami mygtukus „+“ arba „-“, nustatykite valandą. Palaikykite paspaudę mygtuką „TIMER SET“ – minutės pradės žybsėti.

Paspausdami mygtukus „+“ arba „-“, nustatykite minutes.

(V) Temperatūros nustatymas

Paspauskite mygtuką „TIMER SET“ – nustatyta temperatūra pradės žybsėti. Displėjuje rodoma nustatyta temperatūra, kurią galite nustatyti spaudžiant mygtukus „+“ arba „-“.

(VI) Paspauskite mygtuką „TIME SET“, norėdami tęsti nustatymą, arba paspauskite mygtuką „OK“, norėdami užbaigti nustatymą.

ATIDĖTAS ĮRENGINIO ĮJUNGIMAS / IŠJUNGIMAS

Mygtuku „TIMER ON/OFF“ galite valdyti užprogramuotą įjungimą ir išjungimą.

Įjunkite įrenginį iš naujo po elektros maitinimo nutūkimo; nustatymai yra išsaugoti, bet reikia iš naujo įvesti esamą datą ir laiką.

APSAUGA NUO PERKAITIMO

Šiame įrenginyje komplektavime yra įjungtas apsauginis jungiklis, kuris įsijungia esant aukštai temperatūrai (pavyzdžiui, kai užblokuotos angos orai išeiti). Saugumo tikslais, šis jungiklis neįjungiamas automatiškai. Kad įrenginys būtų perkrautas iš naujo, reikia ištraukti kištuką iš lizdo, palaukti apie 10 minučių ir iš naujo įjungti kištuką į tinklą. Įrenginys turi pradėti normaliai veikti – jeigu taip nėra, reikia patikrinti išeinamąsias ir įeinamąsias angas. Jeigu ten viskas gerai (ir įrenginys nuolat valomas nuo dulkių), kreipkitės į aptarnavimo centrą savo gyvenamojoje vietoje.



Siekiant išvengti pavojaus nuo atsitiktinio termojungiklio restartavimo, kartu su įtaisymu ne reikia įrengti išorinį įtaisą perjungimui, kaip laikmatis arba nuosekliai pajungtas grandinė raktas, kuris nuolat įjungia ir išjungia įrenginį.

VALYMAS

- Būtinai iš pradžių išjunkite įrenginį ir ištraukite kištuką iš lizdo. Prieš valant elektrinis židinis, leiskite jam atvėsti jį išjungti iš elektros tinklo.
- Valykite korpusą sausa šluoste, dulkių siurbliu arba šepečiu.
- Niekada netaipinkite įrenginio į vandenį – kyla pavojus gyvybei nuo elektrinio šoko!
- Niekada nenaudokite benzino, plonesni arba atšiaurii abrazyvinių valymo priemonių, nes jie sugadino įrenginio apdaila.

LAIKYMAS

- Prieš laikyti elektrinis židinis, leiskite jam atvėsti jį išjungti iš elektros tinklo.
- Naudokite originalią pakuotę židiniui saugoti, jeigu jis nenausojamas kurį laiką. Produktas apsaugomas nuo dulkių ir purvo, jeigu saugomas originalioje pakuotėje.
- Niekada nepakuokite šilto įrenginio!
- Produktas turi būti saugomas sausoje ir apsaugotoje nuo tiesioginių saulės spindulių vietoje.
- Vienareikšmiškai draudžiama laikyti konvektorius drėgnose ir šlapiose vietose.

SUKOMPLEKTUOTA VIENOJE PAKUOTĖJE:

Elektrinis židinis	1 vnt.
Laikiklis tvirtinimui prie sienos	1 vnt.
Tvirtinimo varžtus ir saugos elementas	1 vnt.
Nuotolinio valdymo pultas	1 vnt.
Instrukcija	1 vnt.
Garantinis talonas	1 vnt.

ĮRENGINIO TECHNINIAI PARAMETRAI:

Apšvietimas - LED sistema (nė turi atsarginių dalių).

Modelis	Galingumas	Elektrios srovės įtempa	Dažnis
WEF200SRELW TR	2000W	220-240V~	50Hz



DĖMESIO: Vengdami perkaitimo, neuždenkite elektrinio židinio!



Aplinkosauginiai nurodymai

Senuose elektros prietaisuose yra vertingų medžiagų, ir dėl to jų nereikia išmesti kartu su buitineis atliekomis! Prašome aktyviai prisidėti prie aplinkos apsaugos ir atiduoti įrenginį į organizuotus supirkimo centrus (jeigu tokių yra).

2 LENTELĖ: INFORMACIJOS APIE ELEKTRINIUS VIETINIUS PATALPŲ ŠILDYTUVUS REIKALAVIMAI

Modelio žymuo (-ens): 1.WEF200SRELW TR 2000W/220-240V~ 50Hz

Parametras	Ženklas	Vertė1.	Vienetas	Parametras	Vienetas
Šiluminė galia				Tiekiamosios šiluminės galios lygiai – tik elektrinių kaupiamųjų vietinių patalpų šildytuvų (pasirinkti viena)	
Vardinė šiluminė galia	P _{nom}	2.00	kW	Rankinis šiluminės įkrovos valdiklis su integruotu termostatu	[taip/ne]
Mažiausia šiluminė galia (orientacinė)	P _{min}	1.00	kW	Rankinis šiluminės įkrovos valdiklis su patalpos ir (arba) lauko temperatūros jutikliu	[taip/ne]
Didžiausia nuolatinė šiluminė galia	P _{max,C}	2.00	kW	Elektroninis šiluminės įkrovos valdiklis su patalpos ir (arba) lauko temperatūros jutikliu	[taip/ne]
Pagalbinės elektros energijos vartojamoji galia				Ventiliatorinis šilumos atidavimas	[taip/ne]
Esant vidurinei šiluminei galiai	e _{lmax}	0.014	kW	Šiluminės galios lygiai/patalpos temperatūros reguliavimas (pasirinkti viena)	
Esant mažiausiai šiluminei galiai	e _{lmin}	0.014	kW	Vieno šiluminės galios lygio ir be patalpos temperatūros reguliavimo	[ne]
Pristabdytą veikseną	e _{lSB}	Stand by 0.00048	kW	Dviejų ar daugiau rankiniu būdu nustatomų šiluminės galios lygių be patalpos temperatūros reguliavimo	[ne]
				Su mechaninio termostatinio patalpos temperatūros reguliavimo funkcija	[ne]
				Su elektroninio patalpos temperatūros reguliavimo funkcija	[ne]
				Elektroninis patalpos temperatūros reguliavimas ir paros laikmatis	[ne]
				Elektroninis patalpos temperatūros reguliavimas ir savaitės laikmatis	[taip]
				Kitos valdymo pasirinktys (galimi keli variantai)	
				Patalpos temperatūros reguliavimas su žmonių buvimu atpažintimi	[ne]
				Patalpos temperatūros reguliavimas su atviro lango atpažintimi	[ne]
				Su nuotolinio valdymo pasirinktimi	[ne]
				Su adaptyviuoju šildymo pradžios momento nustatymu	[taip]
				Ribojamo veikimo laiko	[ne]
				Su spinduliavimo temperatūros jutikliu (angl. black bulb sensor)	[ne]

TESY Ltd
48 Madara Blvd,
Shumen, 9700,
Bulgaria



Pirms šīs ierīces lietošanas izlasiet šo instrukciju un glabāiet šos norādījumus tālākai lietošanai. Ja tiek mainīta ipašnieks, tad lietošanas instrukcija ir jānodod kopā ar ierīci.

Pateicamies Jums, ka esat izvēlējušies elektrisko kamīnu WEF200SRELW TR. Tas ir izstrādājums, kas nodrošinās apkuri ziemā no 1000W vai 2000W atkarībā no komfortā siltuma nepieciešamības apsildāmajā telpā. Pareizi ekspluatējot un aprūpējot, kā tas ir aprakstīts šajā instrukcijā, ierīce daudzus gadus Jūs nodrošinās ar lietderīgu darbību.

SVARĪGI AIZSARDZĪBAS PASĀKUMI UN DROŠĪBAS INSTRUKCIJA:

- Ierīce ir jāizmanto tikai paredzētajam mērķim, kam ir domāta, t.i. sadzīves telpu apsildīšanai. Ierīce nav paredzēta komerciālām vajadzībām. Lietošana citiem mērķiem tiek uzskatīta nepareiza, kā rezultātā – bīstama. Ražotājs nevar būt atbildīgs par bojājumiem, kas ir radušies nepareizas un nepamatotas lietošanas rezultātā. Neievērojot drošības noteikumus, ierīces garantijas laiks nebūs spēkā!



Bērnus, kas ir mazāki par 3 gadiem ir jātur attālumā no ierīces, vienīgi, ja tie nav nepārtrauktā uzraudzībā.

Bērni vecumā no 3 līdz 8 gadiem var izmantot ierīces pogu iesl./izsl. Ar noteikumu, ka ierīce ir instalēta un gatava normālam darbam un ja tie ir uzmanīti un instruēti saistībā ar ierīces drošu izmantošanu un ja bērni saprot, ka tā var būt bīstama.

Bērni vecumā no 3 līdz 8 gadiem nedrīkst ieslēgt ierīci kontaktā, to uzstādīt un tīrīt un veikt ierīces patērētāju kopšanu.

Šo ierīci var izmantot bērni vecāki par 8 gadiem un cilvēki ar nepietiekamām fiziskām, sensoriālām vai mentālām spējām, vai ar nepietiekošām zināšanām un pieredzi, ja tos pieskata vai instruē sakarā ar ierīces drošu izmantošanu un kad tie saprot par bīstamību. Bērni nedrīkst spēlēties ar ierīci. Ierīces tīrīšanu un kopšanu, ko veic patērētāji, nedrīkst veikt bērniem bez pieaugušo uzraudzības.



Šī produkta dažas daļas var palikt ļoti karstas un var izraisīt apdegumus. Tur kur uzturās bērni un neaizsargāti cilvēki, ir jābūt sevišķi vērīgiem.

- Pirms ierīces ieslēgšanas, pārbaudiet vai norādītais strāvas spriegums uz ierīces plāksnītes atbilst Jūsu mājas elektrības tīkla spriegumam.
- Neizejiet no mājām, kamēr ierīce strādā. Pārliecinieties, ka slēdzis ir 0 stāvoklī – izslēgts. Vienmēr atvienojiet vadu no strāvas kontaktligzdas.
- Novietojiet viegli uzliesmojošos priekšmetus, kā piemēram mēbeles, spilvenus, gultas veļu, papīru, drēbes, aizskarus un tt. vismaz 100 cm attālumā no elektriskā kamīna.
- Nelietojiet ierīci zonās, kur izmanto vai glabā ugunsdrošas vielas. Neizmantojiet ierīci zonās ar viegli uzliesmojošām atmosfērām (piemēram: uzliesmojošu gāzi vai aerosolus) – pastāv liela eksplozijas un ugunsgrēka varbūtība!
- Nelieciet un nepieļaujiet svešķermeņu nokļūšanu ventilatora atverēs (ieeļošās un izejošās), tā kā tas var novest līdz strāvas sitienam, ugunsgrēkam vai konvektora bojājumiem.
- Ierīce nav paredzēta mājdzīvnieku apsildei, tā ir domāta tikai lietošanai mājās apstākļos!
- Visbiežākais iemesls ierīces pārsilšanai – putekļu un villas uzkrāšanās uz ierīces. Regulāri tīriet ar putekļu sūcēju ventilatora atveres, pirms tam izslēdzot ierīci no elektriskā tīkla.
- Nekad neaiztieciet ierīci ar mitrām vai slapjām rokām – var būt apdraudēta dzīvība!

- Kontaktam ir jābūt pieejamam katrā laikā, lai vajadzības gadījumā špelsli var ātri atbrīvot. Atslēdzot no elektrotīkla ierīci nekad nevelciet barojošo vadu vai pašu ierīci.
- Ņemiet vērā! Ierīces darba laikā izejošais gaiss sasilst (vairāk par 100°C).
- Ja ierīces vads ir bojāts, neizmantojiet to un sazinieties ar piegādātāju/pārdevēju lai saņemtu papildus instrukcijas.
- Ja ierīce nedarbojās vai nepareizi funkcionē, izslēdziet to un neremontējiet. Visāda veida remontiem izmantojiet Jūsu apdzīvotās vietas licenzētos servisa centrus. Tikai tur bojāto daļu nomainīs ar oriģinālu rezerves daļu. Šī noteikuma neievērošana kompromitēs ierīces drošību.
- Ja nolemsiet vairāk neizmantojot tāda tipa ierīci, tad ir ieteicams to padarīt par neizmantojamu, pēc atvienošanas no tīkla, nogrieziet vadu. Ieteicams visas bīstamības, kas ir saistītas ar ierīci, neitralizēt, sevišķi tās, kas ir saistītas ar bērniem, kas var izmantot amortizēto ierīci savām spēlēm.
- Nekad neatstājiet ierīci ieslēgtu bez vajadzības, izslēdziet radiatoru no tīkla, ja to ilgāku laiku nelietosiet
- Nenovietojiet radiatoru tiešā kontakrozetes tuvumā, īpaši zem tās!
- Uzmanību: nelietojiet šo ierīci kombinācijā ar programatoru, skaitītāju vai ar citu iekārtu, kas to automātiski ieslēdz/izslēdz, jo ja ierīce ir apsegta vai nepareizi novietota, ir iespējams ugunsgrēks.
- Ierīces barojošo vadu novietojiet tā, lai tas netraucē cilvēku kustībai un lai tam neuzkāptu! Izmantojiet tikai pagarinātājus, kas ir piemēroti ierīcei, t.i. tiem ir atbilstības zīme!
- Nepārlokiet vadu un nevelciet to pāri asiem stūriem un nelieciet to uz karstām virsmām vai tuvu pie atklātas uguns!
- Nelietot nekad šo ierīci vannas, dušas, izlietnes vai peldbaseina tuvumā!
- Nepārvietojiet kamīnu turot to aiz priekšējā stikla.

IEPAKOJUMS

- Pēc ierīces izņemšanas no iepakojuma, pārbaudiet vai tā nav bojāta transportēšanas laikā un vai ir pilna komplektācija! Gadījumā, ja ir konstatēts bojājums un nav pilns komplekts, tad sazinieties ar Jūsu pilnvaroto pārdevēju!
- Neizmetiet oriģinālo iepakojumu! To varat izmantot turpmākai ierīces saglabāšanai un transportēšanai, lai izvairītos no iespējamiem bojājumiem transportēšanas laikā!

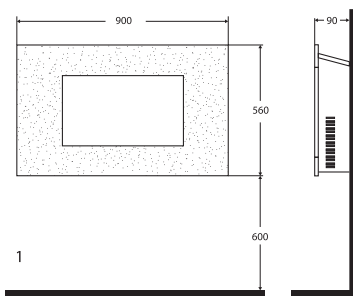
- Iepakojums ir jāizmet piemērotās tam vietās! Bērni ir jāuzmanā, lai tie nespēlējās ar polietilēna maisiem!

IERĪCES INSTALĒŠANA

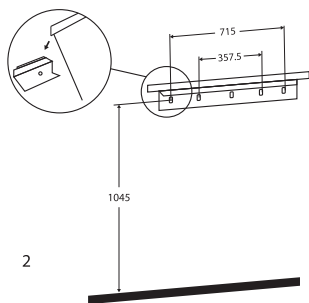


Kamīns ir paredzēts izmantošanai vienīgi pēc tā montēšanas uz sienas!

- Elementi ierīces fiksēšanai ir mazi pēc izmēra un ir nepieciešams tos uzglabāt nepieejamā bērniem vietā. Iesakām visus elementus ielikt mazā kastītē un nodrošināt, lai bērni tai nevarētu piekļūt.
- Maziem bērniem nedrīkst spēlēt ar polietilēna maisiem. Pastāv bīstamība no nosmakšanas. Iesakām tos izmest uzreiz pēc to satura izņemšanas.
- Nepievienojiet elektrisko kamīnu, kamēr tā nav piestiprināta pie sienas un neesat izlasījuši visas svarīgas instrukcijas Jūsu drošībai, kas ir aprakstītas augstāk tekstā.
- Minimāliem attālumiem piet, virs un zem kamīna ir jābūt ievērotiem, kā ir norādīts augstāk tekstā, un redzams attēlos zemāk.
- Ierīces montāžas laikā ir jāuzmanās, lai nesabojātu sienā ievietotos vadus. Lūdzu esiet uzmanīgi taisot montāžas caurumus. Pastāv bīstamība no strāvas sitiena!
- Šī ierīce ir projektēta, lai būtu pastāvīgi piestiprināta pie sienas minimums 300 mm no grīdas. Nesošā skava uz sienas ir jāmontē horizontāli. Barojošam vadam ir jāatrodas kamīna labajā apakšējā stūrī.

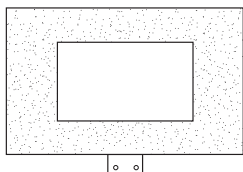


- Optimālai degkameras vizualizācijai ir ieteicams 600 mm augstums attiecībā pret grīdu (skat attēlā 1. ieteicamos attālumus piestiprināšanai).
- Labākai vizualizācijai, marķējiet augšējo 5 piestiprinošo skrūvju atrašanās vietu uz sienas ievērojot ieteicamos fiksācijas izmērus (skat attēlu 2. Caurumi ar seši mm urbi).



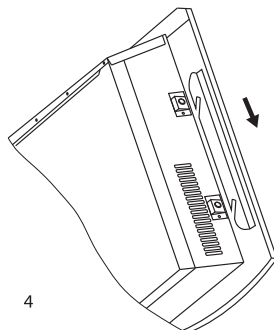
2

- Fiksējiet nesošo plāksni ar skrūvēm pie sienas.
- Uzmaniģi paceliet kamīnu un uzlieciet kamīna augšējo aizmugurējo malu uz sienas fiksējošās plāksnes un to centrējiet (skat att.2.)
- Uzmaniģi piespiediet kamīnu pie sienas.
- Markējiet apakšējo caurumu pozīciju (skat att.3.), noņemiet kamīnu un pārļiecinieties, ka apakšējā fiksējošā plāksne ir pagriezta un netraucē.



3

- Izurbiet apakšējos caurumus un fiksējiet pie sienas.
- Pielieciet kamīnu pie nesošās skavas, kas ir fiksēta pie sienas un pagrieziet skavu, kas nofiksē kamīnu apakšējā daļā. Izmantojiet drošības skrūvi lai piestiprinātu kamīnu pie sienas un lai izvairītos no kamīna nokrišanas iespējas.
- Izpakojiet no polietilēna maisiņa stumbrs un novietojiet tos uz izstarojošā gaismas elementa vēlamā konfigurācijā.
- Novietojiet priekšējo stiklu, ievērojot lai no katras puses 2 uznavas būtu uzliktas uz attiecīgajām korpusa asīm (skat att.4.). Parasti šo operāciju veic 2 cilvēki.



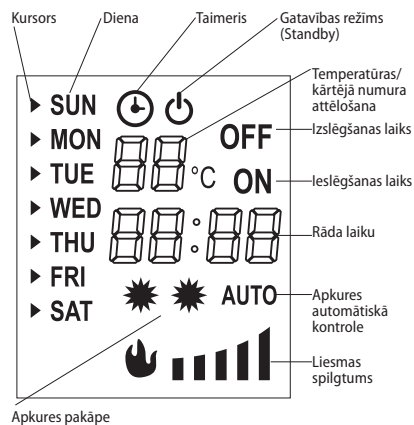
4

Piezīme: Izmantojot ierīci tā vidus daļā, kur tā fona skaņums ir ļoti minimāls, iespējams var dzirdēt skaņu, kas nāk no liesmas efekta. Tas ir normāli un nav iemesla uztraukties.

KAMĪNA IZMANTOŠANA

Kamīnu var vadīt ar pārslēdzējiem, kas atrodās kamīna augšējā daļā vai ar pults palīdzību.

LED DISPLEJS



Temperatūras un kārtējo numura attēlošana

Parasti displejs rāda istabas temperatūru; kamēr uzstāda temperatūru, uz displeja tiek parādīta iestatītā temperatūra;

Kad iestatē taimerī, displejs rāda kārtējo numuru.

Laika rādīšana

Parasti displejs rāda esošo stundu un minūtes; kad tiek uzstādīts taimeris, displejs rāda iestatīto stundu un minūtes.

Ieprogrammētais starts un izslēgšana

Rāda kamēr iestata taimerī un izmanto kombinācijā ar uzstādīšanas kārtējo numuru.

Piemēram,

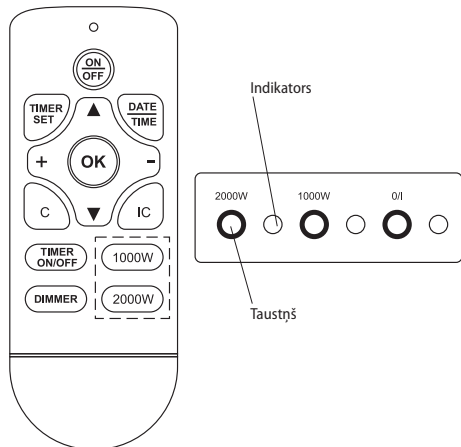
05 ON nozīmē, ka 5. iestatījuma starts ir 23:40;
23:40

05 OFF nozīmē, ka 5. iestatījums izslēgsies 6:10.
06:10

Liesmas spilgtums

Rāda dotā momenta liesmas spilgtumu, kuru varat regulēt no 1. līdz 5. līmenim. Šī ikona netiek rādīta modeļiem ar krāsaino liesmu.

TĀLVADĪBA UN KONTROLES PANELIS



IESLĒGŠANAS SOĻI

1. Pievienojiet barojošam tīklam
2. Pievienošanas slēdzi ieslēdziet pozīcijā „ieslēgts”
3. Nospiediet pieslēgšanas slēdzi vai taustiņu „ON/OFF” uz tālvadības pults, lai ieslēgtu ierīci

APKURES IERĪCE

1. Nospiediet taustiņu 1000W, lai varētu regulēt apkuri ar vāju kamina jaudu un lai izslēgtu apkuri;
2. Nospiediet taustiņu 2000W, lai varētu regulēt apkuri ar spēcīgu kamina jaudu un lai izslēgtu apkuri.

AUTOMĀTISKĀ APKURE

Nospiediet taustiņu IC uz tālvadības pults, lai aktivizētu vai izslēgtu automātisko apkuri.

Kad šī funkcija ir aktivizēta, kamīns var automātiski nomainīt apkures režīmu atkarībā no iestādītās temperatūras un istabas temperatūras.

Programmētā starta režīmā ir iespējams, ka apkure sāksies pirms ir iestāties ieprogramētais laiks.

KAMĪNS AR VIENKRĀSAINO LIESMU UN LIESMAS SPILGTUMA REGULĒŠANA

Pirmais veids: Aizturiet nospiestu taustiņu O/I (🔌)

liesmas spilgtums mainās; atļaidiet taustiņu, kad esat sasnieguši vēlamu liesmas spilgtumu.

Otrais veids: Nospiediet taustiņu „DIMMER” uz tālvadības pults – liesmas spilgtums mainās pakāpeniski ar katru taustiņa nospiešanu.

DATUMA UN LAIKA IESTATĪŠANA

3. Iestatīšanu veic ar tālvadības pulti;
4. Nospiediet taustiņu „DATE TIME”, pēc tam nospiediet taustiņus ▲ vai ▼, izvēlieties datumu;
5. Nospiediet atkal taustiņu „DATE TIME”, pēc tam nospiediet taustiņus „+” vai „-”, uzstādiet stundu;
6. Nospiediet atkal taustiņu „DATE TIME”, pēc tam nospiediet taustiņus „+” vai „-”, uzstādiet minūtes;
7. Nospiediet taustiņu „OK”, lai pabeigtu iestatīšanu

TEMPERĀTŪRAS IESTATĪŠANA

Iestatītā temperatūra ir 20°C. Varat iestatīt temperatūru diapazonā no 15 līdz 30°C ar taustiņiem „+” vai „-” uz tālvadības pults (taimeris ir izslēgts).

TAIMERA IESTATĪŠANA

1. Iestatīšanas apraksts

Varat iestatīt maksimums 10 atsevišķus taimera iestatījumus.

Katram atsevišķam iestatījumam ir savs datums, ieslēgšanas un izslēgšanas laiks.

Katra iestatījuma maksimālais laiks ir 23 stundas un 50 minūtes.

Katra iestatījuma datums varbūt vienalga kurš datums vai nedēļas diena.

Katra iestatījuma datums ir datums laikam, kad tas startē.

Ja iestatījuma izslēgšanas laiks ir nākošajā dienā, tad nav nepieciešams iestatīt datumu – Jums ir jāiestāda tikai izslēgšanas laiks.

2. Taimera iestatījumu pārskats

Nospiediet taustiņu „TIMER SET”.

Nospiediet taustiņus „+” vai „-”, lai pārbaudītu taimera starta laiku katram atsevišķam iestatījumam.

Lai pārbaudītu izslēgšanas laiku, nospiediet taustiņu „▲”.

Nospiediet taustiņu „+” vai „-”, lai turpinātu pārskatu.

Lai izdzestu konkrēto iestatījumu, nospiediet taustiņu „C”.

3. Soļi taimera iestatījumu uzstādīšanai

(I) Izvēlieties iestatījumus

Nospiediet taustiņu „TIMER SET” – kārtējais iestatījuma numurs sāk mirgot.

Nospiežot taustiņus „+“ vai „-“ nonākat līdz kārtējam iestatījuma numuram, kuru vēlaties uzstādīt vai izmainīt.

(II) Izvēlēties datumu

Nospiediet atkal taustiņu „TIMER SET“ – kursora pa kreisi no datuma sāk mirgot.

Nospiežot taustiņus ▲ vai ▼ pārvietojiet kursoru uz attiecīgo datumu; nospiediet taustiņu „+“, lai pievienotu datumu vai nospiediet taustiņu „-“, lai datumu izdzēstu, kamēr pabeigsiet datumu izvēli.

(III) Uzsākšanas laika iestatīšana

Nospiediet taustiņu „TIMER SET“ ilgāk – sāk mirgot stunda.

Nospiežot taustiņus „+“ vai „-“, iestatiet stundu.

Nospiediet taustiņu „TIMER SET“ ilgāk – sāk mirgot minūtes.

Nospiežot taustiņus „+“ vai „-“, iestatiet minūtes.

(IV) Задаване на времето за изключване

Nospiediet taustiņu „TIMER SET“ – displejs ir izslēgts un stunda sāk mirgot.

Nospiežot taustiņus „+“ vai „-“, iestatiet stundu.

Nospiediet taustiņu „TIMER SET“ ilgāk – sāk mirgot minūtes.

Nospiežot taustiņus „+“ vai „-“, iestatiet minūtes.

(V) Temperatūras iestatīšana

Nospiediet taustiņu „TIMER SET“ – iestatītā temperatūra sāk mirgot. Uz displeja parādās iestatītā temperatūra, kuru varat uzlikt nospiežot taustiņus „+“ vai „-“.

(VI) Nospiediet taustiņu „TIME SET“, lai turpinātu iestatījumus vai nospiediet taustiņu „OK“, lai pabeigtu iestatīšanu.

IERĪCES ATLIKTĀ IESLĒGŠANA/IZSLĒGŠANA

Ar taustiņu „TIMER ON/OFF“ varat pārvaldīt ieprogrammēto ieslēgšanu un izslēgšanu.

Restartējiet ierīci pēc el. padeves izslēgšanas; iestatījumi ir saglabāti, ir nepieciešams ievadīt no jauna dienas datumu un laiku.

AIZSARDZĪBA NO PĀRKARŠANAS

Šī ierīce ir nokomplektēta ar drošības termoslēdzi, kas darbojas, ja ir augsta temperatūra (piemēram, ja ir nobloķetas siltā gaisa izejas). Drošības apsvērumu dēļ, termoslēdzis automātiski neieslēgsies. Lai ierīci ieslēgtu no jauna, ir jāizslēdz ierīces barojošais vads no elektriskā tīkla, jānogaida 10 min un tad atkal jāieslēdz kontaktakša kontaktā. Ierīcei ir normāli jāskā strādāt. Ja tas nenotiek, tad ir nepieciešams pārbaudīt ieejas un izejas. Ja viss ir kārtībā (ierīce ir regulāri tīrīta no putekļiem), griezieties pie Jūsu apdzīvotās vietas servisa.



Lai izvairītos no nepamatota termoslēdža ieslēgšanas, uz šīs ierīces nedrīkst uzstādīt ārēju pārslēgšanas aprīkojumu, kā piemēram taimeru vai slēdzi, kas pieslēgts ar virknes slēgumu tīklam, lai ērti to varētu ieslēgt un izslēgt.

KOPŠANA

- Vispirms izslēdziet ierīci ar slēdzi un izslēdziet barojošo vadu no tīkla. Pirms kamīna tīrīšanas, atstājiet, lai tas atdziest.
- Slaukiet kamīna korpusu ar mitru un mitru lupatiņu, izmantojot putekļsūcēju vai birzti.
- Nekad nelieciet ierīci ūdenī. Pastāv bīstamība dzīvībai no strāvas sitiena!
- Nekad neizmantojiet tīrīšanai benzīnu, šķīdinātājus vai rupjus abrazīvus tīrīšanas līdzekļus, tie sabojās ierīces segumu.

UZGLABĀŠANA

- Pirms kamīna iepakojšanas, atstājiet to, lai tas atdziest
- Izmantojiet oriģinālo iepakojumu ierīces saglabāšanai, ja to neizmantosiet zināmu laiku. Ierīce būs pasargāta no putekļiem un būs tīra, ja to uzglabāšiet oriģinālā iepakojumā.
- Nekad nelieciet siltu ierīci tās iepakojumā!
- Nepieciešams ierīci uzglabāt sausā un aizsargātā no tiešiem saules stariem vietā.
- Uzsveram, ka nedrīkst ierīci uzglabāt mitrās un slapjās telpās.

VIENA IEPAKOJUMA KOMPLEKTS SASTĀV:

Kamīns	1 gb.
Skava piestiprināšanai pie sienas	1 gb.
Fiksācijas skrūves un drošības skrūve	1 gb.
Pults	1 gb.
Instrukcija	1 gb.
Garantijas karte	1 gb.

IERĪCES TEHNISKIE PARAMETRI:

Apgaismojums - sistēma LED (nav aizvietoājamo detaļu)

Modelis	Jauda	Barojošā tīkla spriegums	Strāvas Stiprums
WEF200SRELW TR	2000W	220-240V~	50Hz



UZMANĪBU: Lai izvairītos no iekārtas pārkaršanas, neapsedziet to.



Norādījumi apkārtējās vides aizsardzībai
Vecās elektroierīces satur vērtīgus materiālus, tāpēc neizmetiet tos kopā ar sadzīves atkritumiem! Lūdzam Jūs sadarboties apkārtējās vides resursu aizsardzībā un lūdzam nogādāt ierīci organizētajos uzpirkšanas punktos (ja tādi ir pieejami).

2. TABULA INFORMĀCIJAS PRASĪBAS ELEKTRISKAJĒM LOKĀLAJĒM TELPU SILDĪTĀJIEM

Modeļa identifikators(-i): 1.WEF200SRELW TR 2000W/220-240V~ 50Hz

Pozīcija	Apzīmējums	Vērtība1.	Vienība	Pozīcija	Vienība
Siltuma jauda				Siltuma pievades tips, tikai elektriskajiem siltumakumulācijas lokālajiem telpu sildītājiem (izvēlēties vienu)	
Nominālā siltuma jauda	P_{nom}	2.00	kW	manuāls siltumpadeves regulators ar integrētu termostatu	[jā/nē]
Minimālā siltuma jauda (indikatīvi)	P_{min}	1.00	kW	manuāls siltumpadeves regulators ar informācijas pievadi par telpas un/vai ārēļu temperatūru	[jā/nē]
Maksimālā nepārtrauktā siltuma jauda	$P_{max,C}$	2.00	kW	elektronisks siltumpadeves regulators ar informācijas pievadi par telpas un/vai ārēļu temperatūru	[jā/nē]
Papildu elektroenerģijas patēriņš				siltuma jaudas regulēšana ar ventilatoru	[jā/nē]
Pie nominālās siltuma jaudas	e_{lmax}	0.014	kW	Siltuma jaudas/telpas temperatūras regulēšanas tips (izvēlēties vienu)	
Pie minimālās siltuma jaudas	e_{lmin}	0.014	kW	vienpakāpes siltuma jauda bez telpas temperatūras regulēšanas	[nē]
Gaidstāves režīmā	e_{lSB}	Stand by 0.00048	kW	manuāla divpakāpju vai daudzpakāpju siltuma jauda bez telpas temperatūras regulēšanas	[nē]
				ar mehānisku termostatu un telpas temperatūras regulēšanu	[nē]
				ar elektronisku telpas temperatūras regulēšanu	[nē]
				ar elektronisku telpas temperatūras regulēšanu un diennakts taimerī	[nē]
				ar elektronisku telpas temperatūras regulēšanu un nedēļas taimerī	[jā]
				Citi vadības veidi (var izvēlēties vairākus)	
				telpas temperatūras regulēšana ar klātbūtnes detektēšanu	[nē]
				telpas temperatūras regulēšana ar atvērta loga detektēšanu	[nē]
				ar tālvadības funkciju	[nē]
				ar adaptīvu palaišanas vadību	[jā]
				ar darbības laika ierobežojumu	[nē]
				ar siltuma starojuma sensoru melnas lodes formā	[nē]

TESY Ltd
48 Madara Blvd,
Shumen, 9700,
Bulgaria



Przeczytać niniejszą instrukcję przed użyciem urządzenia oraz zachować te wskazówki do późniejszego wykorzystania. W przypadku zmiany właściciela, instrukcję użytkowania należy przekazywać razem z urządzeniem.

Dziękujemy za wybór kominka elektrycznego WEF200SRELW TR. Jest to artykuł, który zapewni ogrzewanie w zimie przy używaniu energii elektrycznej 1000W albo 2000W w zależności od tego, ile Państwo potrzebuje, aby osiągnąć komfortowego ciepła w ogrzewanym pomieszczeniu. Przy odpowiednim użytkowaniu i konserwacji, jak jest opisano w niniejszej instrukcji, urządzenie zapewni Państwu wiele lat swej użytecznej pracy.

WAŻNE INFORMACJE ORAZ INSTRUKCJE, DOTYCZĄCE BEZPIECZEŃSTWA:

- Dane urządzenie może być używane jedynie do celów, dla których jest ono przeznaczone, tj. do ogrzewania pomieszczeń mieszkaniowych. Urządzenie nie jest przeznaczone do celów handlowych. Każde inne zastosowanie będzie uznane za niewłaściwe a więc niebezpieczne. Producent nie ponosi odpowiedzialności za jakiegokolwiek szkody, wynikające z niewłaściwego i nadmiernego użycia urządzenia. Nieprzestrzeganie informacji dotyczących bezpieczeństwa unieważnia zobowiązania gwarancyjne producenta.



Należy pilnować, aby dzieci poniżej 3 roku życia znajdowały się z dala od grzejnika, chyba że są pod stałą opieką osoby dorosłej.

Dziociom w wieku od 3 lat do 8 lat można korzystać tylko z przycisku Wł. / Wył. urządzenia, przy tym pod warunkiem, że urządzenie było już wcześniej zainstalowane i jest gotowe do normalnej pracy oraz jedynie jeśli są one nadzorowane i uprzednio instruowane, co do stosowania konwektora w sposób bezpieczny - i rozumieją, że może ono być niebezpieczne.

Dzieci w wieku od 3 lat do 8 lat nie powinny dopuszczać do podłączenia urządzenia do sieci zasilania, do ustawienia go, do czyszczenia urządzenia lub obsługi konserwacyjnej.

Dane urządzenie może być używane przez dzieci w wieku powyżej 8 lat i osób o ograniczonej sprawności fizycznej, sensorycznej lub umysłowej, lub nieposiadających niezbędnego doświadczenia oraz wiedzy tylko pod warunkiem, że są one nadzorowane lub poinstruowane na temat bezpiecznego korzystania z urządzenia i rozumieją możliwe zagrożenia. Dzieci nie powinny bawić się urządzeniem. Czyszczenie i obsługa nie powinny być przeprowadzone dziećmi bez nadzoru osób dorosłych.



Niektóre części tego produktu mogą stać się bardzo gorące i spowodować oparzenia. W obecności dzieci oraz osób nieobronnych kwestiom bezpieczeństwa należy zwrócić szczególną uwagę.

- Przed podłączeniem urządzenia - sprawdź czy napięcie, ukazane na tabliczce znamionowej, odpowiada napięciu dostarczanemu do Państwa domu.
- Nie wolno wychodzić z domu, gdy urządzenie jest włączone: upewnijcie się, że przełącznik jest w pozycji „0” - wyłączony. Zawsze należy pamiętać o tym i wyjąć wtyczkę z gniazdka prądu elektrycznego.
- Łatwopalne elementy - takie jak np. meble, poduszki, pościel, bielizna, papier, ubrania, zastony itp. należy trzymać w odległości, co najmniej, 100 cm od kominka elektrycznego.
- Nie należy korzystać z urządzenia w miejscu, gdzie magazynuje się albo używa się z łatwopalnych substancji. Nie należy korzystać z urządzenia w strefach o atmosferze palnej (jak np.: w pobliżu łatwopalnych gazów lub aerozoli) - istnieje wysokie ryzyko pożaru i wybuchu!
- Nie należy wkładać ani nie pozwalać żeby obce przedmioty trafiły do otworów wentylacyjnych (zarówno do wlotowych jak i do wylotowych), gdyż może to spowodować porażenie prądem, pożar lub zniszczenie konwektora.

Urządzenie nie nadaje się do celów hodowlanych, przeznaczone jest jedynie do użytku domowego!

- Najczęstszą przyczyną przegrzewania urządzenia jest nagromadzenie kłaczek i pyłu wewnątrz korpusu. Należy regularnie czyścić otwory wentylacyjne odkurzaczem. Przed tym jak to zrobić, koniecznie jest odłączenie urządzenia od sieci.
- Nie wolno dotykać urządzenia mokrymi ani wilgotnymi rękoma - istnieje zagrożenie życia!
- Gniazdko musi być dostępne w każdej chwili, tak, żeby w razie konieczności można było jak najszybciej wyjąć wtyczkę! Nigdy nie ciągnij za przewód zasilający lub same urządzenie w celu odłączenia od zasilania.
- Zanotować sobie! Powietrze wylatujące z konwektora w czasie pracy się nagrzewa (do temperatury ponad 100°C).
- Jeśli przewód zasilający urządzenia ulegnie uszkodzeniu, należy natychmiast przerwać korzystanie z tamtego i skontaktować się ze sprzedawcą / dostawcą na temat otrzymania dalszych instrukcji.
- Jeśli urządzenie nie jest w porządku lub funkcjonuje nieprawidłowo, należy je wyłączyć, ale nie podejmować prób naprawić go. Na przedmiot jakiego byle remontu należy zwrócić się za pomocą do autoryzowanego centrum serwisowego obsługi posprzedażowej. Tylko w takim centrum serwisowym uszkodzona część zostanie zamieniona na oryginalną część zapasową. Nieprzestrzeganie tego warunku spowoduje zagrożenie bezpieczeństwu urządzenia.
- W razie podjęcia decyzji zaprzestania korzystania z urządzenia tego typu, zalecamy, aby doprowadzić je do stanu uniemożliwiającego użytkowanie przecinając po odłączeniu od sieci przewód zasilający. Zaleca się również, aby zabezpieczyć się przed wszystkimi zagrożeniami, związanymi z tym urządzeniem, zwłaszcza co do dzieci, które mogłyby wykorzystać z amortyzowanego urządzenia do gry.
- Nigdy nie zostawiać urządzenia włączonym bez potrzeby. Najlepiej odłączyć je od sieci zasilania, gdy nie będzie z niego korzystano przez długi czas.
- Urządzenia nie powinno umieszczać bezpośrednio pod gniazdkiem prądu elektrycznego!
- **Uwaga!** Nie wolno używać urządzenia łącznie z programatorem, licznikiem lub innym urządzeniem do automatycznego włączenia go, gdy urządzenie zostało pokryte lub z powodu nieprawidłowego usytuowania go istnieje ryzyko pożaru.
- Kabel zasilający należy ułożyć tak, aby nie zakłócać ruchu w pobliżu oraz by nikt nie deptał po nim! Stosować wyłącznie atestowane przedłużacze, które są właściwe dla danego produktu, tj. posiadają Znak zgodności!
- Nie wolno zgniatć przewodu, ciągnąć go po ostrych krawędziach, stawiać go na gorącej płycie lub niedaleko ognia!
- Nigdy nie używać grzejnika w pobliżu wanny, prysznicza, zlewu lub basenu do pływania!
- Nie podnosić kominka do góry trzymając za przednie szkło.

OPAKOWANIE

- Po rozpakowaniu urządzenia należy sprawdzić, czy podczas transportowania nie zostało ono uszkodzone oraz czy jest w pełni wyposażone! W przypadku stwierdzenia uszkodzeń lub niekompletne dostawy, należy skontaktować się z autoryzowanym sprzedawcą!
- Nie wyrzucać oryginalnego opakowania! Może ono być używane do przechowywania oraz do transportu, w celu uniknięcia uszkodzenia podczas transportowania urządzenia!
- Usuwanie materiałów opakowaniowych należy dokonać w odpowiedni sposób! Zapobiegać jakichkolwiek możliwych sytuacji, gdy dzieci grałyby z plastikowymi workami!

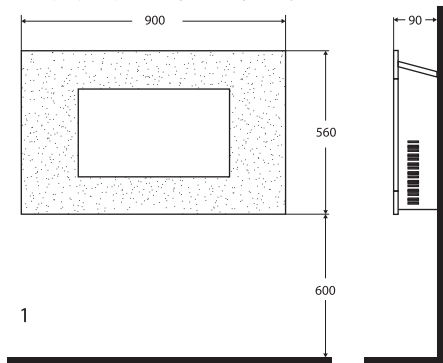
ZAMONTOWANIE I UŻYTKOWANIE URZĄDZENIA



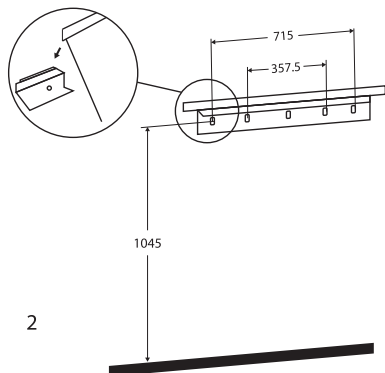
Kominek jest przeznaczony do stosowania po montażu na ścianie!

PORADY UŻYTECZNE PRZED ZAMONTOWANIEM KOMINKA

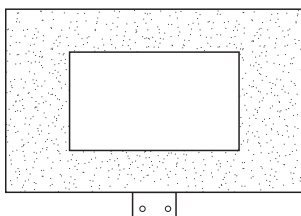
- Przyczepione w opakowaniu elementy są drobne i muszą być przechowywane z dala od małych dzieci. Zaleca się, aby wszystkie elementy umieścić w małym pudełku i zabezpieczyć to pudełko z dala od dzieci.
- Małe dzieci nie powinny bawić się plastikowymi pakietami - istnieje niebezpieczeństwo uduszenia. Najlepiej byłoby wyrzucić je natychmiast po tym jak ich zawartość wyjęto.
- Nie należy podłączać kominek elektryczny, dopóki on nie został dobrze przymocowany do ściany i nie przeczytano wszystkich ważnych instrukcji bezpieczeństwa opisanych powyżej.
- Należy przestrzegać powyżej opisane i poniżej wizualizowane minimalne odległości od kominka.
- Po zamontowaniu urządzenia należy zachować ostrożność, aby nie uszkodzić przewody wykopane w ścianach. Należy zachować ostrożność podczas wiercenia otworów montażowych. Ryzyko porażenia prądem!
- Urządzenie jest zaprojektowane tak, aby być na stałe przymocowane do ściany, na wysokości co najmniej 300 mm od podłogi. Główny wspornik na ścianie powinien być zamontowany poziomo. Przewód zasilający znajduje się w prawym dolnym rogu kominkiem.



- Do optymalnej wizualizacji efektu paliwa zalecana jest wysokość 600 mm nad podłogą (patrz Rysunek 1 - zalecane wymiary montażowe).
- Aby uzyskać optymalną jakość wizualizacji, zaznacz pozycje dla 5 gwintów do mocowania na ścianie zgodnie z zalecanymi wymiarami mocowania (patrz Rysunek 2. Otwory robić sześciomilimetrowym wiertłem).
- Rozpakuj pnie z plastikowego worka i rozmieść je wzdłuż elementu emitującego światło w pożądanej konfiguracji i położeniu.
- Umieść szybę przednią starając się, aby weszły po dwa żłobki z każdej strony w odniesieniu do osi oporowych (patrz rysunek 4). Zazwyczaj dla wykonania tej operacji potrzebne dwóch ludzi.

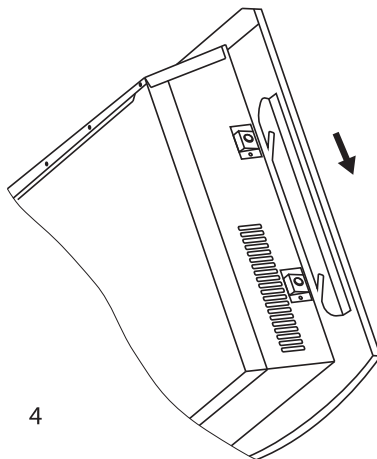


- Przymocuj główny wspornik do ściany za pomocą gwintów.
- Ostrożnie podnieś kominek w taki sposób, aby górna krawędź z tyłu (parapet) kominka okazała się powyżej przymocowanej do ściany listwy nośnej (patrz Rysunek 2) i umieść go centralnie.
- Delikatnie naciśnij kominek ku ścianie.
- Zaznacz położenie dolnych otworów (patrz rysunek 3), usuń kominek, upewniając się, że dolna listwa mocująca jest odsunięta i nie przeszkadza.



3

- Przewierć otwory dla dolnych otworów i przymocuj do ściany.
- Postaw kominek na przymocowany do ściany nośny wspornik i przekreć wspornik do przymocowania dolnej części. Zastosuj gwint zabezpieczający, aby na stałe przymocować kominek do ściany i zabezpieczyć go przed możliwością odłączenia.



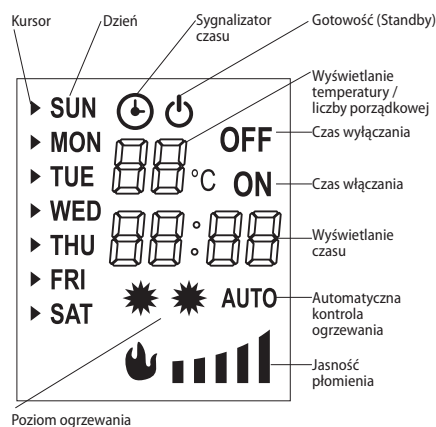
4

Uwaga: W przypadku korzystania z urządzenia w środowisku, gdzie szum tła jest bardzo niski, jest możliwe, aby słyszeć związany z funkcjonowaniem spektakularnego płomienia dźwięk. Jest to normalnie i nie powinno być powodem do niepokoju.

KORZYSTANIE Z KOMINKA

Kominek może być obsługiwany za pomocą przełączników umieszczonych w prawej górnej części kominka lub za pomocą pilota starowania zdalnego.

WYŚWIETLACZ LED



Wskazanie temperatury i liczby porządkowej

Zazwyczaj wyświetlacz wskazuje temperaturę w pomieszczeniu; podczas ustawiania temperatury na wyświetlaczu widać wartość ustawianej temperatury;

Podczas ustawiania sygnalizatora czasu na wyświetlaczu widać liczbę porządkową.

Wyświetlanie godziny

Zazwyczaj wyświetlacz wskazuje aktualną godzinę z minutami; podczas ustawiania sygnalizatora czasu na wyświetlaczu widać ustawianą godzinę z minutami.

Zaprogramowane włączenie i wyłączenie

Wyświetla się podczas ustawiania sygnalizatora czasu. Używa się w połączeniu z liczbą porządkową ustawienia.

Na przykład,

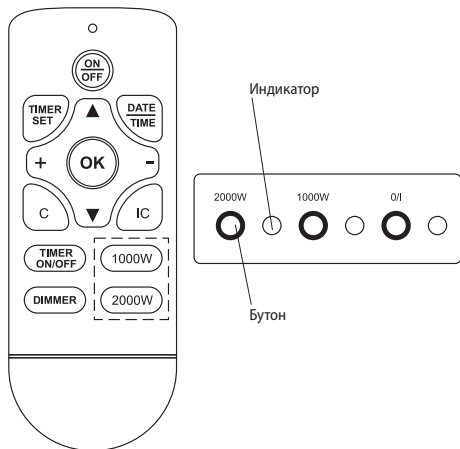
05 ON 23:40 znaczy, że czas włączenia dla ustawienia nr 5 jest o godzinie 23:40;

05 OFF 06:10 znaczy, że czas wyłączenia dla ustawienia nr 5 jest o godzinie 6:10.

Jasność płomienia

Wskazuje na aktualną jasność płomienia – można ją ustawiać od poziomu 1 do poziomu 5. Nie wyświetla się w przypadku modeli o kolorowym płomieniu.

STEROWANIE ZDALNE I PANEL STEROWNICZY



KROKI WŁĄCZANIA

1. Podłączyć zasilanie
2. Przetawić klucz zasilania do pozycji „włączono”
3. Naciśnij przełącznik zasilania lub przycisk „ON/OFF” na panelu sterowniczym aby włączyć urządzenie

OGRZEWANIE URZĄDZENIEM

1. Naciśnij przycisk 1000W w celu użycia małej mocy do ogrzewania oraz dla wyłączenia trybu ogrzewania;
2. Naciśnij przycisk 2000W w celu użycia większej mocy do ogrzewania oraz dla wyłączenia trybu ogrzewania

OGRZEWANIE W TRYBIE AUTOMATYCZNYM

Naciśnij przycisk IC na panelu sterowniczym w celu włączenia a wyłączenia trybu ogrzewania automatycznego.

Po włączeniu tej funkcji kominek może automatycznie zmieniać tryb ogrzewania w zależności od ustawionej temperatury i temperatury pomieszczenia.

W trybie zaprogramowanego włączenia możliwe jest rozpoczęcie ogrzewania przed ustawionym czasem zadziałania urządzenia.

KOMINEK Z JEDNOKOLOROWYM PŁOMIENIEM I REGULACJĄ JASNOŚCI PŁOMIENIA

Pierwszy sposób: Naciśnij i przytrzymaj tak przycisk O/I (U) jasność płomienia zmienia się; po osiągnięciużądanego stopnia jasności odpuść przycisk.

Drugi sposób: Naciśnij przycisk „DIMMER” na pilocie - jasność płomienia zmienia się stopniowo przy każdym naciśnięciu przycisku.

USTAWIANIE DATY I GODZINY

1. Ustawienia dokonywane są za pomocą pilota zdalnego sterowania;
2. Naciśnij przycisk „DATE TIME”, a następnie naciśnij przycisk ▲ lub ▼, aby wybrać datę;
3. Naciśnij ponownie przycisk „DATE TIME”, a następnie naciśnij przycisk „+” lub „-”, aby ustawić godzinę;
4. Naciśnij ponownie przycisk „DATE TIME”, a następnie naciśnij przycisk „+” lub „-”, aby ustawić minuty;
5. Naciśnij przycisk „OK”, aby zakończyć wprowadzanie ustawień

USTAWIANIE TEMPERATURY

Domyślna temperatura wynosi 20°C. Możesz ustawić temperaturę w zakresie od 15°C do 30°C za pomocą przycisków „+” lub „-” na pilocie zdalnego sterowania (sygnalizator czasu jest wyłączony).

USTAWIANIE SYGNALIZATORA CZASU

1. Opis sposobu ustawiania

Można zadać maksymalnie 10 oddzielnych ustawień sygnalizatora czasu.

Każde indywidualne ustawienie zawiera własną datę, godzinę rozpoczęcia i godzinę wyłączenia.

Maksymalna trwałość każdego ustawienia wynosi 23 godziny i 50 minut.

Ustawioną datę dla każdego ustawienia może być dowolny dzień lub dni tygodnia.

Data każdego ustawienia to data rozpoczęcia ogrzewania.

Jeśli ustawiony czas wyłączenia przypada na następny dzień, nie trzeba ustawiać daty - wystarczy tylko ustawić czas wyłączenia

2. Sprawdzanie ustawienia sygnalizatora czasu

Naciśnij przycisk „TIMER SET”.

Naciśnij przycisk „+” lub „-”, aby sprawdzić ustawiony na zegarze czas rozpoczęcia ogrzewania dla każdego odrębnego ustawienia.

Aby sprawdzić czas wyłączenia, naciśnij przycisk „▲”.

Naciśnij przycisk „+” lub „-”, aby kontynuować sprawdzanie.

Aby usunąć bieżące ustawienie, naciśnij przycisk „C”.

3. Kroki do zadania ustawienia zegara

(I) Wybierz ustawienia

Naciśnij przycisk „TIMER SET” - numer porządkowy ustawienia zaczyna migać.

Naciskając przyciski „+” lub „-” przejdiesz do następnego numeru porządkowego ustawienia, które potrzebujesz ustawić lub zmienić.

(II) Wybierz datę

Naciśnij ponownie przycisk „TIMER SET” – kursor na wyświetlaczu po lewej od daty stronie zaczyna migać.

Naciskając przyciski ▲ lub ▼ przesuń kursor na odpowiednią datę; naciśnij przycisk +, aby dodać datę lub naciśnij przycisk „-”, aby usunąć datę, aż do zakończenia wyboru dat.

(III) Ustawianie czasu rozpoczęcia ogrzewania

Naciśnij na dłuższy czas przycisk „TIMER SET” – wskaźnik czasu zaczyna migać.

Naciskając przyciski „+” lub „-”, ustaw czas.

Naciśnij na dłuższy czas przycisk „TIMER SET” – wskaźnik minut zaczyna migać.

Naciskając przyciski „+” lub „-”, ustaw minuty.

(IV) Ustawianie czasu wyłączenia ogrzewania

Naciśnij przycisk „TIMER SET” – wyświetlacz jest wyłączony, a czas zaczyna migać.

Naciskając przyciski „+” lub „-”, ustaw czas.

Naciśnij na dłuższy czas przycisk „TIMER SET” – wskaźnik minut zaczyna migać.

Naciskając przyciski „+” lub „-”, ustaw minuty.

(V) Ustawianie temperatury

Naciśnij przycisk „TIMER SET” - zacznie migać wartość ustawionej temperatury. Na wyświetlaczu pojawi się ustawiona temperatura, którą można zmienić naciskając przyciski „+” lub „-”.

(VI) Naciśnij przycisk „TIME SET” aby kontynuować wprowadzanie ustawień lub naciśnij przycisk „OK” aby zakończyć wprowadzanie ustawień.

OPÓŹNIENIE WŁĄCZENIA / WYŁĄCZENIA URZĄDZENIA

Za pomocą przycisku „TIMER ON / OFF” można sterować zaprogramowanym włączeniem a wyłączeniem.

Po awarii zasilania urządzenie należy uruchomić ponownie; ustawienia są zapisane, ale konieczne jest ponowne wprowadzenie bieżącej daty i godziny.

ZABEZPIECZENIE PRZED PRZEGRZANIEM

Urządzenie jest wyposażone w termostat bezpieczeństwa, który włączy się w razie wysokiej temperatury (np. blokowanie otworów wylotowych powietrza). W celu bezpieczeństwa termostat bezpieczeństwa nie uruchomi automatycznie kominek ponownie. Aby ponownie uruchomić kominek, należy wyjąć wtyczkę z gniazdka sieciowego, zaczekać około 10 minut i włożyć wtyczkę do gniazdka. Urządzenie zadziała normalnie. Jeśli tak się nie stanie, należy sprawdzić otwory – wlotowy oraz wylotowy. W razie, jeśli wszystko z nimi jest w porządku (a urządzenie było regularnie czyszczone z kurzu) skontaktuj się z zakładem serwisowym w Twojej okolicy.

! Aby uniknąć ryzyka niezamierzonego restartu termostatu bezpieczeństwa, urządzenie nie powinno być wyposażane w zewnętrzne urządzenie przełączające typu czasomierza, ani włączone szeregowo podłączonym przełącznikiem, który jest regularnie włączany lub wyłączany dla wygody.

CZYSZCZENIE

- Przed rozpoczęciem czyszczenia kominka należy wyłączyć go i wyjąć wtyczkę z gniazda. Przed rozpoczęciem czyszczenia kominka należy zostawić go ostudzić się.
- Obudowę należy czyścić wilgotną szmatką, odkurzaczem lub szczotką.
- Nie wolno zanurzać urządzenia w wodzie - zagrożenie życia: porażenie prądem!
- Nigdy nie używać benzyny, rozpuszczalników ani żrących ściernych środków czyszczących, które mogą uszkodzić powłokę sprzętu.

PRZECHOWYWANIE

- Przed tym jak schować kominek po użyciu, zostaw odłączony od sieci sprzęt ostudzić się po odłączeniu od gniazda.
- Jeśli kominek nie będzie używany przez pewien czas, do przechowywania go używać oryginalnego opakowania. Produkt należy chronić przed nadmiernym zakurzeniem i zbrudnieniem przechowując go w oryginalnym opakowaniu.
- Nigdy nie przechowywać do opakowania gorącego urządzenia!
- Produkt powinien być przechowywany w suchym miejscu i chroniony przed bezpośrednim działaniem promieni słonecznych.
- Absolutny zakaz przechowywania go w miejscach wilgotnych lub mokrych.

ZESTAW W JEDNYM OPAKOWANIU:

Kominek	1 szt.
Wspornik mocujący ścienny	1 szt.
Gwinty mocujące i element zabezpieczenia	1 szt.
Pilot sterowania zdalnego	1 szt.
Instrukcja obsługi	1 szt.
Karta gwarancyjna	1 szt.

PARAMETRY TECHNICZNE URZĄDZENIA:

Oświetlenie – system LED (brak części zamiennych)

Model	Deklarowana moc	Deklarowane napięcie zasilające	Deklarowana częstotliwość prądu elektrycznego
WEF200SRELW TR	2000W	220-240V~	50Hz



UWAGA: Aby uniknąć przegrzania, nie pokrywaj urządzenia!



Wytyczne dotyczące ochrony środowiska

Stare urządzenia elektryczne zawierają cenne materiały, a zatem nie należy wyrzucać je razem z odpadami z gospodarstwa domowego! Prosimy Państwa, aby pomóc własnym aktywnym wkładem, byśmy zachowali zasoby naturalne i ochronili środowisko. Urządzenia te należy przekazać do punktu zbiórki w celu poddania recyklingowi (gdy takie istnieją).

TABELA 2 WYMAGI W ZAKRESIE INFORMACJI DOTYCZĄCE ELEKTRYCZNYCH MIEJSCOWYCH OGRZEWACZY POMIESZCZEŃ**Identyfikator(-y) modelu:** 1.WEF200SRELW TR 2000W/220-240V~ 50Hz

Parametr	Oznaczenie	Wartość1.	Jednostka	Parametr	Jednostka
Moc cieplna				Sposób doprowadzania ciepła wyłącznie w przypadku elektrycznych akumulacyjnych miejscowych ogrzewaczy pomieszczeń (należy wybrać jedną opcję)	
Nominalna moc cieplna	P_{nom}	2.00	kW	ręczny regulator doprowadzania ciepła z wbudowanym termostatem	[tak/nie]
Minimalna moc cieplna (orientacyjna)	P_{min}	1.00	kW	ręczny regulator doprowadzania ciepła z pomiarem temperatury w pomieszczeniu lub na zewnątrz	[tak/nie]
Maksymalna stała moc cieplna	$P_{max,C}$	2.00	kW	elektroniczny regulator doprowadzania ciepła z pomiarem temperatury w pomieszczeniu lub na zewnątrz	[tak/nie]
Zużycie energii elektrycznej na potrzeby własne				moc cieplna regulowana wentylatorem	[tak/nie]
Przy nominalnej mocy cieplnej	$e_{l,max}$	0.014	kW	Rodzaj mocy cieplnej/regulacja temperatury w pomieszczeniu (należy wybrać jedną opcję)	
Przy nominalnej mocy cieplnej	$e_{l,min}$	0.014	kW	jednostopniowa moc cieplna bez regulacji temperatury w pomieszczeniu	[nie]
W trybie czuwania	$e_{l,SB}$	Stand by 0.00048	kW	co najmniej dwa ręczne stopnie bez regulacji temperatury w pomieszczeniu	[nie]
				mechaniczna regulacja temperatury w pomieszczeniu za pomocą termostatu	[nie]
				elektroniczna regulacja temperatury w pomieszczeniu	[nie]
				elektroniczna regulacja temperatury w pomieszczeniu ze sterownikiem dobowym	[nie]
				elektroniczna regulacja temperatury w pomieszczeniu ze sterownikiem tygodniowym	[tak]
				Inne opcje regulacji (można wybrać kilka)	
				regulacja temperatury w pomieszczeniu z wykrywaniem obecności	[nie]
				regulacja temperatury w pomieszczeniu z wykrywaniem otwartego okna	[nie]
				z regulacją na odległość	[nie]
				z adaptacyjną regulacją startu	[tak]
				z ograniczeniem czasu pracy	[nie]
				z czujnikiem ciepła promieniowania	[nie]

TESY Ltd
 48 Madara Blvd,
 Shumen, 9700,
 Bulgaria

! Прочитајте ова упутства пре употребе овог уређаја и чувајте ова упутства за будућу употребу. При промени власника, инструкције за рад се морају пренети заједно са уређајем!

Хвала што сте одабрали електрични камин WEF200SRELU TR. Ово је уређај који обезбеђује грејање у зими од 1000W или 2000W колико је потребно да се постигне удобна топлота у загрејаној просторији. Уз правилну употребу и бриге као што је описано у овом упутству, уређај ће обезбедити дугогодишњи корисни рад.

ВАЖНЕ МЕРЕ ПРЕДОСТОРОЖНОСТИ И УПУТСТВА ЗА БЕЗБЕДНОСТ:

- Овај апарат се мора користити само на сврху за коју је предвиђен, односно за загревање простора за живот. Уређај није намењен за трговачке сврхе. Било која друга употреба може се сматрати некоректном и стога опасном. Произвођач не може бити одговоран за штету насталу услед неправилне и неразумне употребе. Непοштовање информације о безбедности ће поништити узету гаранција уређаја!

! Деца која су мање од три године треба се држати на удаљености, осим ако нису под сталним надзором.

Деца која имају 3 године до 8 година могу да користе само дугме укљ./икљ.јединице, под условом да је уређај инсталиран и спреман за нормалан рад и она су била уочена и праћена о упутствима о његовом коришћењу на безбедан начин и да занју да то може бити опасно.

Деца која имају 3 године до 8 година не би требало да укључи уређај у утичницу, да га подесују да га очисте или да обављају корисничко одржавање.

Ова јединица може да се користи од стране деце која имају осам година и од стране лица са смањеним физичким, сензорним или менталним способностима, или недостатком искуства и знања, осим ако су под надзором или инструктована за безбедно коришћење уређаја и разумевају опасности. Деца не би требало да се играју са апаратом. Чишћење и корисничко одржавање не треба се обављати од стране деце без надзором.

! Неки делови овог уређаја могу постати веома врући и узроковати опекотине. Тамо где су присутна деца и осетљиве особе се треба посветити посебна пажња.

- Пре укључивања електричног камина, уверите се да указани напон на типској плочици одговара напону који се пружа у дому (у офису).
- Не излазите из Ваше куће док је уређај укључен: проверите да ли је уређај у позицији искључен. Увек уклањајте утикач апарата из утичнице.
- Држите запаљиве предмете, као што су намештај, јастуци, постељина, папир, одећа, завесе, итд на растојању од најмање 100 цм од електричног камина.
- Немојте користити уређај у просторијама где се употребљавају или се држе запаљиви материјали. Немојте користити уређај у подручјима са запаљивом атмосфером (нпр. у близини запаљивих гасова или аеросола) - постоји екстремна опасност од експлозије и пожара!
- Не убаците стране предмете или дозволити да падне у вентилационим отворима (долазни или одлазни), јер ће то проузроковати електрични удар, пожар или оштећење у конвектору.
- Уређај није погодан за гајење животиња, а исти је намењен само за кућну употребу!

- Најчешћи узрок прегревања је акумулација тканине и прашине у уређају. Редовно чистите усисавачем вентилаторске отворе, као што је претходно потребно искључити апарат. Држите електрични камин чист.
- Никада не додирујте уређај мокрим или влажним рукама – постоји опасност по живот!
- Утичница мора бити доступна у сваком тренутку да би могло да се утикач ослободи када је то потребно што је могуће брже! Никада не вуците кабл за напајање или сам апарат за искључења из мреже.
- Обратите пажњу! Излаз ваздуха се загрева током рада (више од 100°C)
- Ако кабл овог уређаја је оштећен, прекините коришћење и обратите се продавцу / добављачу за даља упутства
- Ако уређај није у реду или функционира неисправно, искључите га и немојте га поправљати. О свим поправкама обратите се сервисном центру за после продајну услугу. Само тамо ће заменити покварени део са оригиналним резервним. Непοштовање овог услова ће угрозити безбедност апарата.
- Ако одлучите да престанете да користите уређај овог типа, препоручљиво је да буде 22. неупотребљив, и исећи кабл након што искључите мрежу. Такође се препоручује све опасности повезане са апаратом да буду заштићене, посебно за децу који би могли да користе амортизирани апарат (уређај) за игру.
- Никада не остављајте апарат укључен непотребно. Искључите га из електричне мреже када неће бити у употреби већ дуже време.
- Уређај не би требало да се постави непосредно испод кутије утичнице!
- **Пажња:** Немојте користити овај уређај са програматором, тајмером или други уређајима који га аутоматски укључују, јер ако је покривен или погрешно постављен постоји опасност од пожара.
- Поставите кабл за напајање, тако да не омета кретање људи, а да се не хода по њему! Користите само одобрене продужне каблове који су одговарајући за уређај, односно да имају знак услагласности!
- Немојте савијати кабл и не повуците га преко оштре ивице и на стављајте га на вруће плоче или на отворени пламен!
- Никада не користите овај уређај у непосредној близини купатила, тушева или базена!
- Не подижите камин посредством предњег стакла.

ПАКОВАЊЕ

- Када распакујете уређај, проверите да ли за време превоза није увређен и потпуно опремљен! У случају да се утврди да је оштећен или непотпуна испорука, обратите се Вашем овлашћеном продавцу!
- Не бацајте оригиналну кутију! Она би могла се користити за складиштење и транспорт да се избегне штета од транспорта!
- Располагање амбалаже мора бити на одговарајући начин! Деца се треба чувати да су под надзором и да се не играју са пластичним кесама!

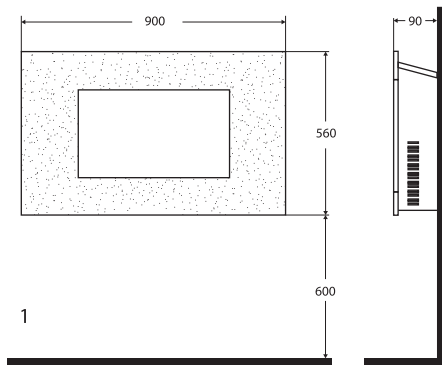
ИНСТАЛАЦИЈА И УПОТРЕБА УРЕЂАЈА



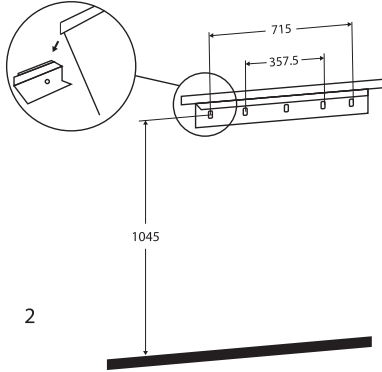
Камин је намењен искључиво за употребу посредством зидне монтаже!

КОРИСНИ САВЕТИ ПРЕ НЕГО ШТО ДА МОНТИРАТЕ КАМИН

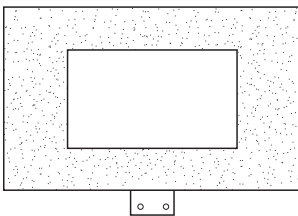
- Фиксни елементи пакета су малих димензија и морају се држати даље од деце. Препоручујемо да сви елементи буду смештени у малој кутији и да се обезбеде даље од деце.
- Мала деца не би требало да се играју са пластичним кесама - постоји опасност од гушења. Препоручујемо да се они одбаче одмах након узимања њиховог садржаја.
- Не спајате електрични камин, док исти није правилно причвршћен на зид, а ви нисте прочитали сва важна сигурносна упутства описана у одељку горе.
- Минималне раздаљине испред, изнад и испод камина да се следе као што су горе описане и визуелно приказане доле.
- Приликом инсталирања уређаја, треба pazити да не оштетите жице укупане у зидовима. Будите пажљиви при бушењу монтажних рупа. Опасност од струјног удара!
- Овај уређај је намењен да буде стално прикључен на зиду на висини од најмање 300 мм изнад пода. Носећа заграда на зиду мора да се монтирају хоризонтално. Кабл за напајање се налази у доњем десном углу камина.



- Висина 600мм од пода се препоручује за оптималну визуелизацију ефекта пламена (види слику 1 за препоручене димензије за фиксирање).
- За оптималну визуелизацију, означите позиције у 5 горњих вијака за причвршћивање на зид у складу са препорученим димензијама причвршћивања (види слику 2 отвори са шест мм бушилицом).



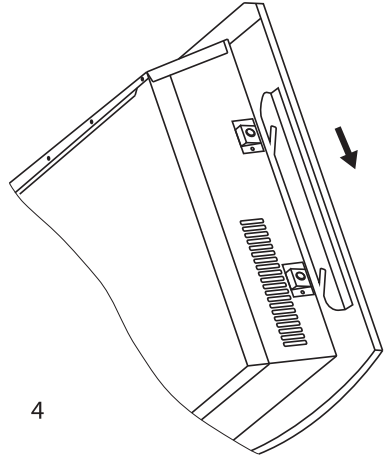
- Фиксирајте носећу заграду на зид помоћу вијака
- Пажљиво подигните камин, тако да горњи задњи руб (граница) камина до падне изнад носеће фиксне плочице на зиду (види слику 2) и ставите га централно.
- Пажљиво притисните камин на зид.
- Означите позицију доњих рупа (види слику 3), извадите камин кад сте се уверили да је доња фиксна плочица ротирана и не омета.



3

- Избушите отворе за доње рупе и фиксирајте на зиду.
- Ставите камин на носећу заграду, фиксирана на зиду и ротирајте заграду за фиксирање на доњем делу. Користите завртањ за осигурање дабисте учврстили коначно камин на зид и да сте га заштитили од могућности одвајања.

- Распакујте пртљажник из пластичне кесе и ставите их дуж светлећег елемента у жељеном положају и конфигурацији.
- Поставите предње стакло гледајући да су ушли два по два по жлебовима на свакој страни осовине (види слику 4). Обично су потребна два човека за ову операцију



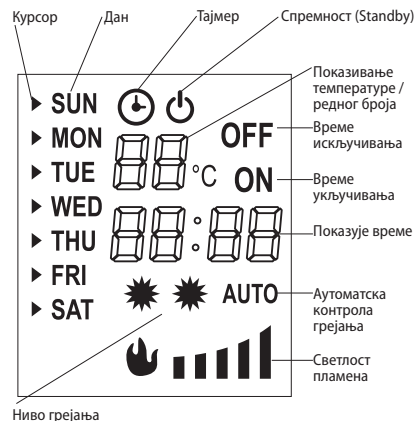
4

Напомена: Када се уређај користи у окружењу у којем позадинска бука је веома мала је могуће да се чује звук који је повезан са функционисањем ефекта пламена. Ово је нормално и не би требало да буде разлог за забринутост.

КОРИШЋЕЊЕ КАМИНА

Камин се може управљати прекидачима позиционираним на горњем десном делу камина или преко даљинског управљача.

LED ДИСПЛЕЈ



Показивање температуре и редног броја

Обично дисплеј показује температуру у просторији; док се подешава температура, на дисплеју се показује подешена температура;

Када се тајмер подешава, дисплеј показује редни број.

Показивање времена

Обично дисплеј показује тренутни сат и минуте; када се тајмер подешава, дисплеј показује подешаване сат и минуте.

Програмиран старт и искључивање

Показује се док се подешава тајмер и користи се у комбинацији са редним бројем подешавања.

На пример,

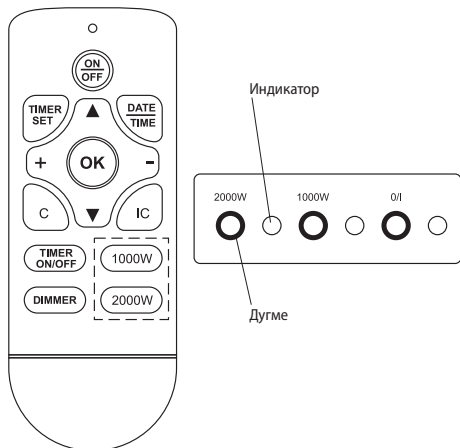
05 ON значи да време за стратовање подешавања 5
23:40 је 23:40;

05 OFF значи да време за искључивање подешавања
06:10 је 6:10.

Светлост пламена

Показује тренутну светлост пламена, која се може подесити од нивоа 1 до нивоа 5. Ова икона се не приказује за моделе са пламеном у боји.

ДАЉИНСКИ УПРАВЉАЧ И КОНТРОЛНИ ПАНЕЛ



КОРАЦИ ЗА УКЉУЧИВАЊЕ

1. Повежите за напајање.
2. Поставите прекидач за напајање на положај „укључен“.
3. Притисните прекидач за напајање или дугме „ON/OFF“ даљинског управљача, да бисте укључили уређај

ГРИЈАЊИ УРЕЂАЈ

1. Натиснете бутон 1000W, тако да можете подесити грејање на ниској снази и да бисте зауставили загријавање;
2. Притисните дугме 2000W, тако да можете подесити грејање на високој снази и да бисте зауставили загријавање.

АУТОМАТСКО ГРЕЈАЊЕ

Притисните дугме IC даљинског управљача, да бисте активирали или искључили аутоматско грејање.

Када је ова функција активирана, камин може аутоматски променити режим грејања у зависности од постављене температуре и температуре у просторији.

У режиму програмираног начина рада, могуће је грејање да започне пре истека програмираног времена.

КАМИН СА ЈЕДНОБОЈНИМ ПЛАМЕНОМ И ПОДЕСИВОМ ОСВЕТЉЕНОШЋУ ПЛАМЕНА

Први начин: Задржите дугме O/I (☺) светлост пламена се мења; отпустите дугме када досегнете жељену светлост.

Други пут: Притисните дугме „DIMMER“ даљинског управљача, – светлост пламена постепено се мења са сваки притиском на дугме.

ПОДЕШАВАЊЕ ДАТУМА И ВРЕМЕНА

1. Подешавања се врше преко даљинског управљача;
2. Притисните дугме „DATE TIME“, а затим притиском на дугмад ▲ или ▼, изаберите датум;
3. Поново притисните дугме „DATE TIME“, а затим притиском на дугмад „+“ или „-“, подесите сат;
4. Поново притисните дугме „DATE TIME“, а затим притиском на дугмад „+“ или „-“, подесите минуте;
5. Поново притисните дугме „OK“, да бисте довршили подешавања

ПОДЕШАВАЊЕ TEMПЕРАТУРЕ

Задана подразумевана температура је 20°C. Можете подесити температуру у опсегу од 15 до 30°C са дугмадима „+“ или „-“ даљинског управљача (тајмер је искључен).

ПОДЕШАВАЊЕ ТАЈМЕРА

1. Опис подешавања

Можете подесити максимално 10 засебних поставки тајмера.

Свака појединачна поставка има свој датум, време почетка и време искључивања.

Максимална дужина сваког подешавања је 23 сата и 50 минута.

Задани датум за свако подешавање може бити било који дан или дани у недељи.

Датум сваког подешавања је датум времена стартовања.

Ако задано време за укључивање пада следећег дана, не морате да подесите датум - потребно је само да подесите време искључивања.

2. Преглед подешавања тајмера

Притисните дугме „TIMER SET“:

Притисните дугме „+“ или „-“, да бисте проверили време стартовања тајмера за сваку појединачну поставку.

Да бисте проверили време искључивања, притисните дугме „▲“.

Притисните дугме „+“ или „-“, да бисте наставили продљжити преглед.

Да бисте избрисали тренутно подешавање, притисните дугме „C“.

3. Кораци за постављање подешавања тајмера

(I) Изаберите поставке

Притисните дугме „TIMER SET“ – редни број подешавања почиње трептати.

Притиском на дугмад „+“ или „-“ крећете се на следећи број подешавања које треба поставити или променити.

(II) Изаберите датум

Поново притисните дугме „TIMER SET“ – курсор лево од датума почиње трептати.

Притиском на дугмад ▲ или ▼ померите курсор на одговарајући датум; притисните дугме „+“, да бисте додали датум или притисните дугме „-“, да бисте избрисали датум док не завршите бирање датума.

(III) Подешавање времена за стартовање

Продужено притисните дугме „TIMER SET“ – сат почиње трептати.

Притиском на дугмад „+“ или „-“, подесите сат.

Продужено притисните дугме „TIMER SET“ – минуте почињу трептати.

Притиском на дугмад „+“ или „-“, подесите минуте.

(IV) Подешавање времена искључивања

Притисните дугме „TIMER SET“ – дисплеј је искључен и време почиње трептати.

Притиском на дугмад „+“ или „-“, подесите сат.

Продужено притисните дугме „TIMER SET“ – минуте почињу трептати.

Притиском на дугмад „+“ или „-“, подесите минуте.

(V) Подешавање температуре

Притисните дугме „TIMER SET“ – подешена температура почиње трептати. На дисплеју се показује подешена температура коју можете подесити притиском на дугмад „+“ или „-“.

(VI) Притисните дугме „TIME SET“, да бисте наставили са подешавањима или притисните дугме „OK“ да бисте довршили подешавање.


ОДЛОЖЕНО УКЉУЧИВАЊЕ/ИСКЉУЧИВАЊЕ УРЕЂАЈА

Са дугметом „TIMER ON/OFF“ можете управљати програмирано укључивање и искључивање.

Рестартирајте уређај након заустављања електричног напајања; поставке су саћуване, али потребно је поново унети тренутни датум и време.

ЗАШТИТА ОД ПРЕГРЕВАЊА

Овај апарат је опремљен заштитним термопрекидачем који се активира на високом температурама (нпр. блокирање излазних отвора ваздуха). Ради безбедности, термопрекидач неће аутоматски поново покренути. Да се поново покрене, потребно је извадити кабл из утичнице - чекати 10 минута и поново да се постави утикач у утичницу. Јединица би нормално зарадила - ако се то не деси потребно је да проверите улазне и излазне отворе. Ако са њима је све нормално (а уређај се редовно чисти од прашине) контактирајте сервисном центру у вашем насељеном месту.

 **Да бисте избегли ризик од ненамерног рестартовања термопрекидача, на овом уређају се не сме стављати спољни прекидач, као што је тајмер, или повезани у низу серијски прекидач који се редовно укључује или искључује за практичност.**

ЧИШЋЕЊЕ

- Обавезно прво искључите уређај из зидне утичнице. Пре чишћења камина, оставите га да се охлади искључивши га из контакта.
- Очистите корпус са влажном крпом, усисивачем или четком.
- Никада немојте потапати апарат у воду – постоји опасност по живота од струјног удара!
- Никада немојте користити бензин, разређивач или груба абразиона средства за чишћење, јер ће она оштетити површину апарата.

СКЛАДИШТЕЊЕ

- Пре складиштење, оставите га да се охлади искључивши га из контакта.
- Користите оригинално паковање за складиштење камина ако исти неће бити коришћен за неко време. Овај уређај је заштићен од прекомерне прашине и прљавштине, ако се враћа у свом оригиналном паковању.
- Никада не враћајте топли апарат у свом паковању!
- Овај уређај треба се чувати на сувом и заштићеном од директне сунчеве светлости месту.
- Изричито се забрањује његово складиштење у влажним или мокрим собама.

ОПРЕМА У ЈЕДНОМ ПАКЕТУ:

Камин	1 комад
Заграда за фиксирање на зид	1 комад
Фиксни вијци и елемент осигурања	1 комад
Даљински управљач	1 комад
Инструкција	1 комад
Гарантни лист	1 комад

ТЕХНИЧКИ ПАРАМЕТРИ УРЕЂАЈА:

Расвета - LED систем (нема заменљивих делова)

Модел	Објављена снага	Објављени напон напајања	Објављена фреквенција
WEF200SRELW TR	2000W	220-240V~	50Hz



Упозорење: Да би се избегло прегревање, не покривајте уређај.



Упуте за заштиту природне околине

Стари електрични уређаји садрже вредне материјале и стога не би требало их одлагати с комуналним смећем! Молим Вас да сарађујете са својим активним доприносом за заштиту природне околине и пренети уређај организованим центрима за куповање (ако текви постоје).

! Прочитайте дані інструкції перш ніж використовувати цей прилад і зберігайте ці інструкції для майбутнього використання. При зміні власника, інструкції з експлуатації повинні передаватися разом з приладом.

Дякуємо, що Ви вибрали електричний камінь WEF200SRELW TR. Цей прилад забезпечує опалення в зимовий період від 1000 Вт або 2000 Вт в залежності від потреб досягнення комфортного тепла в опалювальному приміщенні. При правильній експлуатації і догляді, як описано в цій інструкції, прилад забезпечить Вам багато років корисного функціонування.

ВАЖЛИВІ ЗАСТЕРЕЖЕННЯ ТА ІНСТРУКЦІЇ З ТЕХНІКИ БЕЗПЕКИ:

- Цей пристрій повинен використовуватися тільки за призначенням, для якого був передбачений: для обігріву побутових приміщень. Прилад не призначений для використання в комерційних цілях. Будь-яке інше використання вважається неправильним і тому небезпечним. Виробник не несе відповідальності за пошкодження, що випливають з неправильного і необґрунтованого використання приладу. Недотримання інформаційної безпеки робить недейсною домовлену гарантію на прилад!

! Дітей, віком менше 3 років, потрібно тримати на відстані, якщо вони не знаходяться під безперервним наглядом.

Діти, віком від 3 років до 8 років, можуть використовувати лише кнопку ввімк./вимк. приладу, за умови, що прилад встановлений правильно і готовий для нормальної роботи, а діти знаходяться під наглядом і обізнані з його безпечним використанням, і розуміють, що це може бути небезпечно.

Діти, віком від 3 років до 8 років, не повинні вмикати прилад в розетку, налаштовувати його, чистити або виконувати інше обслуговування користувачів.

Цей прилад може використовуватись дітьми старшими 8 років та особами з обмеженими фізичними, сенсорними або розумовими здібностями, чи з недостатнім досвідом та знаннями, якщо вони знаходяться під наглядом, або проінструктовані щодо безпечного використання приладу і розуміють небезпеку. Діти не повинні гратися з приладом. Очищення приладу та обслуговування користувачів не повинні проводитись дітьми без нагляду.

! Деякі частини цього виробу можуть стати дуже гарячими і викликати опіки. Там, де присутні діти та вразливі люди, потрібно приділяти особливу увагу.

- Перш ніж увімкнути прилад – переконайтеся, що зазначена напруга на типовій таблиці відповідає напрузі, що подається у Ваш будинок.
- Не виходьте з дому, залишивши прилад включеним. Перед виходом переконайтеся, що вимикач знаходиться у вимкненому положенні. Завжди виймайте вилку приладу з розетки.
- Тримайте легкозаймисті предмети, такі як меблі, подушки, постільна білизна, папір, одяг, штори і т. д. на відстані принаймні 100 см від електричного каміну.
- Не використовуйте прилад в зонах, де використовуються чи зберігаються вогнебезпечні речовини. Не використовуйте прилад в зонах де є легкозаймисті атмосфери (наприклад: в безпосередній близькості від легкозаймистих газів або аерозолів) - існує дуже велика небезпека вибуху і пожежі!
- Не вставляйте і запобігайте потраплянню сторонніх тіл в отвори для вентиляції (вхідні або вихідні) тому, що це може призвести до ураження електричним струмом, пожежі або до інших пошкоджень каміну.

- Прилад не підходить для використання для догляду тварин, а призначений тільки для домашнього використання!
- Найбільш поширеною причиною перегрівання є скупчення бруду і пилу в приладі. Регулярно чистіть пілососом вентиляційні отвори, а перед цим обов'язково вимкніть прилад з електричної мережі.
- Ніколи не чіпайте прилад мокрими або вологими руками - існує небезпека для життя!
- Розетка повинна бути доступна в будь-який час для того, щоб можна було при необхідності вийняти вилку якомога швидше! Ніколи не тягніть за шнур живлення при переміщенні або вимкненні приладу з мережі.
- Зверніть увагу! Відпрацьоване повітря нагрівається під час роботи (до вище, ніж 100°C).
- Якщо шнур живлення приладу пошкоджений, припиніть використання приладу і зверніться до постачальника (продавця) для отримання додаткових інструкцій.
- Якщо прилад не в порядку або функціонує неправильно, вимкніть його з мережі та не ремонтуйте його самі. Для будь-яких ремонтних робіт звертайтеся за допомогою до авторизованого сервісного центру. Тільки там можуть замінити пошкоджені частини оригінальними запасними частинами. Недотримання цієї умови порушує безпеку приладу.
- Якщо ви вирішили перестати використовувати прилад цього типу, рекомендується зробити його непридатним для використання, шляхом відрізання шнура живлення, після його вимкнення з мережі. Рекомендується забезпечити запобігання всіх можливих небезпек, пов'язаних з приладом, особливо маючи на увазі дітей, які могли б використовувати амортизований прилад (пристрій) для гри.
- Ніколи не залишайте прилад увімкненим, коли це не потрібно. Вимикайте його з електромережі, коли не використовуєте його протягом тривалого часу.
- Прилад не повинен бути розміщений безпосередньо під штепсельним ящиком/розеткою!
- **Увага:** Не використовуйте цей прилад у поєднанні з програматором, лічильником або іншим приладом, який автоматично може його увімкнути, тому що, якщо прилад був покритий або неправильно розміщений, при його ненавмисному вмиканні існує небезпека пожежі.
- Вставте шнур живлення, так щоб не заважав руху людей і щоб на нього не наступати! Використовуйте тільки затверджені подовжувачі, які підходять для пристрою, тобто мають знак відповідності!
- Не перегинайте шнур і не перетягуйте його через гострі краї і не доторкайтесь ним до гарячих плит та не наближайте його до відкритого вогню!
- Ніколи не використовуйте цей прилад в безпосередній близькості до ванної або душової кімнати, чи басейну!
- Не піднімайте камінь за переднє скло

УПАКОВКА

- Після розпакування приладу, перевірте, чи при транспортуванні прилад не був пошкоджений і чи повністю укомплектований! У разі, якщо встановлено пошкодження або непевне укомплектування приладу, зверніться до Вашого уповноваженого продавця!
- Не викидайте оригінальну коробку! Вона може бути використана для зберігання і транспортування приладу, щоб уникнути пошкоджень під час майбутніх перевезень!
- Викидання пакувальних матеріалів проводиться належним чином! Діти не повинні гратися поліетиленовими мішками!

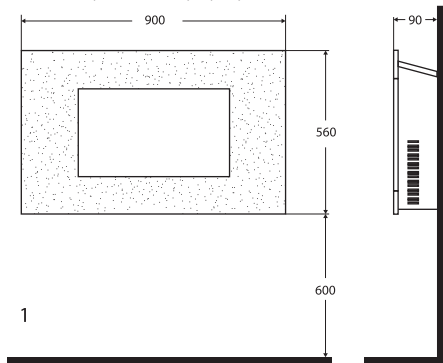
УСТАНОВКА І ВИКОРИСТАННЯ ПРИЛАДУ



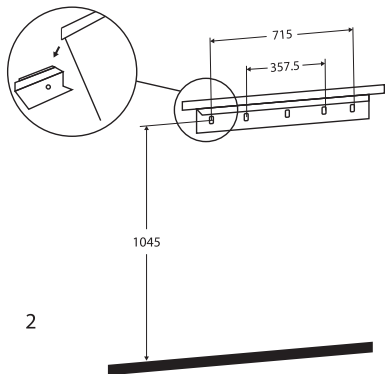
Камінь призначений для використання тільки шляхом настінного монтажу!

КОРИСНІ ПОРАДИ ПЕРШ НІЖ ВСТАНОВИТИ КАМІНЬ

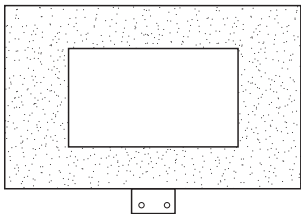
- Фіксуючі елементи в упаковці малі розміром, тому їх потрібно ховати від маленьких дітей. Рекомендуємо всі такі предмети скласти в коробку і зберігати у недоступному для дітей місці.
- Маленькі діти не повинні гратися з поліетиленовими мішками – існує небезпека задухи. Ми рекомендуємо викинути їх відразу після того, як ви їх звільнили.
- Не вмикайте електричний камінь, поки він не дуже добре закріплений до стіни, і поки не прочитаєте всіх важливих інструкцій з техніки безпеки, описаних в розділі вище.
- Мінімальні відстані перед, над і під камином повинні дотримуватися, як описано вище, а показано нижче.
- При установці приладу, будьте уважними, щоб не пошкодити провідники електричної мережі в стіні. Увага! Будьте обережними при свердлінні отворів для монтажу. Небезпека ураження електричним струмом!
- Цей прилад спроектований так, що вимагає міцного постійного закріплення на стіну на висоті, як мінімум, 300 мм від підлоги. Несучий кронштейн на стіні повинен бути встановлений горизонтально. Шнур живлення розташований у правому нижньому кутку каменя.



- Висота 600 мм від підлоги рекомендується для оптимальної візуалізації паливного ефекту (див. Фіг.1 рекомендовані розміри для кріплення).
- Для оптимальної візуалізації, відзначте положення верхніх 5 гвинтів кріплення на стіні у відповідності з рекомендованим розмірами для фіксації (див. Фіг. 2. Отвори, діаметром свердління 6 мм).



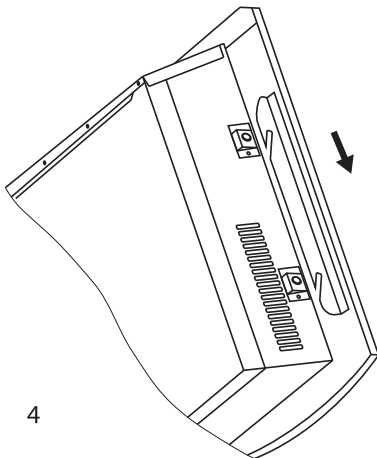
- Встановіть несучий кронштейн і надійно закріпіть його на стіні за допомогою гвинтів
- Акуратно підніміть камін вгору так, щоб верхній задній край (виступ) каміну потрапив над несучою фіксованою планкою на стіні (див. Фіг.2) і розположіть його центрально.
- Акуратно притисніть камін до стіни.
- Відзначте положення нижніх дірок (див. Фіг.3), зніміть камін, якщо ви впевнені, що в нижня фіксуєча планка повернута і не заважає.



3

- Просвердліть отвори для нижніх дірок і закріпіть на стіні.
- Установіть камін в несучий кронштейн закріпений на стіні і поверніть кронштейн для фіксації нижньої частини. Використовуйте гвинт для підстрахування, щоб остаточно закріпити камін до стіни і, щоб забезпечити проти можливості його від'єднання.

- Розпакуйте стовбур з поліетиленового мішечку і покладіть їх уздовж випромінюючого світло елемента в бажаній конфігурації і позиції.
- Встановіть лобове скло, зверніть увагу, щоб увійшли обидві пари заглиблень з кожної сторони, щодо опорних осей (див. Фіг.4). Як правило, для виконання цієї операції необхідні двоє людей.



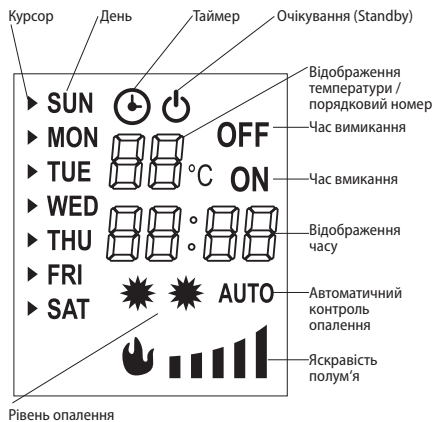
4

Примітка: При використанні приладу в середовищі, де фоновий шум дуже малий, можна чути звук, який пов'язаний з дією ефекту полум'я. Це нормально і не повинно бути причиною для занепокоєння.

ВИКОРИСТАННЯ КАМІНУ

Керування каміном можна виконувати за допомогою перемикачів, розташованих у верхній правій частині каміну або за допомогою пульта для дистанційного керування.

LED ДИСПЛЕЙ



Відображення температури і порядкового номеру

Як правило, на дисплеї висвічується кімнатна температура; під час налаштування температури, на дисплеї відображається температура, що налаштовується;

Коли налаштовуємо таймер, на дисплеї відображається порядковий номер.

Відображення часу

Як правило, на дисплеї відображається поточна година і хвилина; коли налаштовується таймер, на дисплеї відображається година і хвилина, що налаштовуються.

Запрограмований старт і вимкнення

Показується поки налаштовується таймер і використовується у поєднанні з порядковим номером налаштування.

Наприклад,

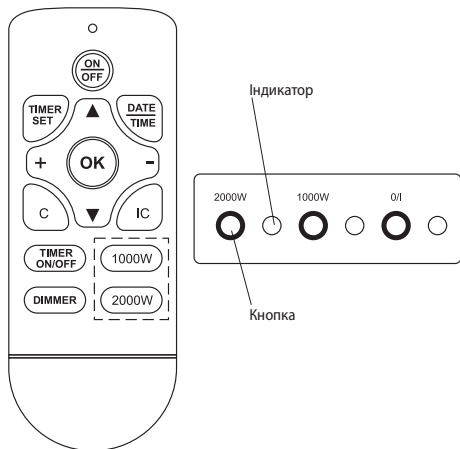
05 ON означає, що старт налаштування 5
23:40 відбудеться о 23:40;

05 OFF означає, що налаштування 5 вимкнеться о
06:10.

Яскравість полум'я

Показує поточну яскравість полум'я, яка може налаштовуватись від рівня 1 до рівня 5. Цей значок не показується в моделях з кольоровим полум'ям.

ПУЛЬТ ДИСТАНЦІЙНОГО КЕРУВАННЯ І ПАНЕЛЬ УПРАВЛІННЯ



ПОРЯДОК ВИМКАННЯ

1. Підключити блок живлення
2. Встановіть вимикач живлення в положення „ввімкнено“
3. Натисніть вимикач живлення або кнопку „ON/OFF“ на пульті дистанційного керування, щоб ввімкнути прилад

ОПАЛЮВАЛЬНИЙ ПРИЛАД

1. Натисніть кнопку 1000W, для регулювання опалення на низькій потужності каміна і, щоб зупинити опалення;
2. Натисніть кнопку 2000W, для регулювання опалення на високій потужності каміна і, щоб зупинити опалення.

АВТОМАТИЧНЕ ОПАЛЕННЯ

Натисніть кнопку IC на пульті дистанційного керування, щоб увімкнути або вимкнути автоматичне опалення.

Коли ця функція увімкнена, ваш камін може автоматично змінювати режими опалення в залежності від заданої температури і температури в приміщенні.

В режимі запрограмованого запуску опалення може початися до настання запрограмованого часу.

КАМІН З ОДНОКОЛЬОРОВИМ ПОЛУМ'ЯМ, РЕГУЛЮВАННЯ ЯСКРАВОСТІ ПОЛУМ'Я

Перший спосіб: Утримуючи натиснутою кнопку O/I (☺) яскравість полум'я змінюється; відпустіть кнопку, коли буде досягнута бажана яскравість.

Другий спосіб: Натисніть кнопку „DIMMER“ на пульті дистанційного керування – яскравість полум'я буде поступово змінюватися з кожним натисканням на цю кнопку.

НАЛАШТУВАННЯ ДАТИ І ЧАСУ

1. Налаштування виконується за допомогою пульта дистанційного керування;
2. Натисніть кнопку „DATE TIME“, потім натисканням кнопки ▲ або ▼, виберіть дату;
3. Натисніть знову кнопку „DATE TIME“, потім за допомогою кнопок „+“ або „-“ встановіть години;
4. Натисніть знову кнопку „DATE TIME“, потім за допомогою кнопок „+“ або „-“ встановіть хвилини;
5. Натисніть кнопку „OK“ для завершення налаштування

НАЛАШТУВАННЯ ТЕМПЕРАТУРИ

Задана за замовчуванням температура становить +20°C. Ви можете встановити температуру в діапазоні від 15 до 30°C за допомогою кнопок „+“ або „-“ на пульті дистанційного керування (при вимкненому таймері).

НАЛАШТУВАННЯ ТАЙМЕРА

1. Опис налаштування

Існує можливість налаштування максимум 10 окремих налаштувань таймера.

Кожне окреме налаштування має свою дату, час запуску і час вимкнення.

Максимальна тривалість кожного налаштування становить 23 години 50 хвилин.

Заданою датою кожного налаштування може бути вибраний будь-який день або дні тижня.

Дата кожного налаштування являє собою дату запуску.

Якщо встановлений час вимкнення припадає на наступний день, то не потрібно налаштовувати дату – а потрібно тільки задати час вимкнення.

2. Перегляд налаштувань таймера

Натисніть кнопку „TIMER SET“.

Натисніть кнопку „+“ або „-“, щоб перевірити час запуску таймера для кожного окремого налаштування.

Щоб перевірити час вимкнення, натисніть кнопку „▲“.

Натисніть кнопку „+“ або „-“, щоб продовжити перегляд.

Щоб видалити поточні налаштування, натисніть кнопку „C“.

3. Порядок встановлення налаштувань таймера

(I) Виберіть налаштування

Натисніть кнопку „TIMER SET“ – порядковий номер налаштування починає блимати.

За допомогою кнопок „+“ або „-“ перейдіть на порядковий номер налаштування, яке потрібно задати або змінити.

(II) Виберіть дату

Знову натисніть кнопку „TIMER SET“ – курсор зліва від дати починає блимати.

За допомогою кнопок ▲ або ▼ переведіть курсор на відповідну дату; натисніть кнопку „+“, щоб додати дату або натисніть кнопку „-“, щоб видалити дату, поки виберете потрібну дату

(III) Встановлення часу запуску

Натисніть тривало кнопку „TIMER SET“ – значок годин на дисплеї починає блимати.

За допомогою кнопок „+“ або „-“ встановіть години.

Натисніть тривало кнопку „TIMER SET“ – значок хвилин починає блимати.

За допомогою кнопок „+“ або „-“ встановіть хвилини.

(IV) Встановлення часу вимкнення

Натисніть кнопку „TIMER SET“ - дисплей вимкнений, значок годин починає блимати.

За допомогою кнопок „+“ або „-“ встановіть години.

Натисніть тривало кнопку „TIMER SET“ – значок хвилин починає блимати.

За допомогою кнопок „+“ або „-“ встановіть хвилини.

(V) Встановлення температури

Натисніть кнопку „TIMER SET“ – задана температура починає блимати. На дисплеї відображається задана температура, яку можна встановити за допомогою кнопок „+“ або „-“.

(VI) Натисніть кнопку „TIME SET“ для продовження налаштувань або натисніть кнопку „OK“, щоб завершити налаштування.

ВІДКЛАДЕНЕ ВМИКАННЯ/ВИМИКАННЯ ПРИЛАДУ

За допомогою кнопки „TIMER ON/OFF“ ви можете керувати запрограмованим вмиканням / вимиканням.

Перезавантажте пристрій після вимкнення електроживлення; налаштування збережені, але потрібно знову ввести поточні дату і час.

ЗАХИСТ ВІД ПЕРЕГРІВУ

Цей прилад укомплектований захисним термовимикачем, який спрацьовує при високій температурі (наприклад, коли заблоковані вихідні отвори для повітря). З метою безпеки, термовимикач не буде автоматично вмикатись. Для того, щоб його увімкнути, потрібно виийняти вилку з розетки – почекайте близько 10 хвилин, і знову вставити вилку в розетку. Прилад повинен нормально запрацювати – якщо це не відбувається, потрібно перевірити вхідні і вихідні отвори. Якщо у них все нормально (і прилад регулярно очищується від бруду і пилу), потрібно звернутися до сервісного центру у вашому місті.

! щоб уникнути небезпеки випадкового перезапущу термовимикача, на цей прилад не дозволяється ставити зовнішні пристрої для вмикання, таких, як таймер, чи підключений послідовно в ланцюзі перемикач, які періодично вмикаються та вимикаються для зручності.

КОМПЛЕКТУВАННЯ ОДНІЄЇ УПАКОВКИ:

Камін	1 шт.
Кронштейн для кріплення до стіни	1 шт.
Фіксуючі гвинти і елемент безпеки	1 шт.
Пульт дистанційного керування	1 шт.
Інструкція	1 шт.
Гарантійний талон	1 шт.

ОЧИЩЕННЯ

- Обов'язково спочатку вимкніть прилад з допомогою вимикача і вийміть вилку з розетки в стіні. Перш ніж почати чистити камін, дайте йому охолонути, після його вимкнення з розетки
- Очищайте корпус вологою ганчіркою, пилососом або щіткою .
- Ніколи не мочіть прилад водою - існує небезпека для життя від ураження електричним струмом!
- Ніколи не використовуйте бензину, розчинників або грубих абразивних засобів для чищення, так як вони можуть пошкодити покриття приладу.

ЗБЕРІГАННЯ

- Перед тим, як сховати камін у відведене для зберігання місце, дайте йому охолонути, вимкнувши його з розетки.
- Використовуйте оригінальну упаковку для зберігання каміну, коли він не використовується протягом деякого часу. Зберігання виробу в оригінальній упаковці захищає його від надмірного пилу і бруду.
- Ніколи не вкладайте теплий прилад в упаковку!
- Прилад необхідно зберігати в сухому і захищеному від прямих сонячних променів місці.
- Строго забороняється зберігання приладу у вологих або мокрих приміщеннях.

ТЕХНІЧНІ ПАРАМЕТРИ ПРИЛАДУ:

Освітлення - LED системи (без змінних частин)

Модель	Оголошена потужність	Оголошена напруга живлення	Оголошена частота
WEF2005RELW TR	2000 Вт	220-240 В ~	50 Гц



Увага: щоб уникнути перегріву, не накривайте прилад!



Інструкції з охорони навколишнього середовища

Старі електричні прилади містять цінні матеріали, тому їх не треба викидати разом з побутовим сміттям! Просимо Вас сприяти захисту навколишнього середовища своїм активним внеском і передавати використані прилади в організовані відповідні пункти (якщо такі є).

! Lugege käesolev juhend läbi enne selle seadme kasutamist ja säilige käesolev kasutus- ja hoidmisjuhend tulevaseks kasutamiseks. Omaniku vahetamise korral tuleb kasutusjuhend koos seadmega üle anda!

Täname teid, et te valisite elektrilise kamina WEF200SRELW TR. See on toode, mis pakub kütet 1000W või 2000W talvel olenes mugava soojuse vajaduste saavutamisest köetavas ruumis. Nagu on kirjeldatud selles kasutusjuhendis, garanteerib seade teid pikaajalist kasulikk

funktsioneerimist õige kasutuse ja hoolitsuse korral.

OLULISED PREVENTIIVSED MEETMED JA OHUTUSJUHENDID:

- Seade kasutatakse ainult selleks eesmärgiks, mille jaoks on ettenähtud, ehk kodu ruumide kütmiseks. Seade ei ole ettenähtud ärieesmärgiks. Iga muu kasutamine peetakse ebaõigeks ja seetõttu ohtlikuks. Tootja ei vastuta ebaõige või ebamõistliku kasutamise tõttu tekkinud rikete eest. Ohutusinfost mitte kinnipidamine teeb seadme vastuvõetud garantii kehtetuks!

! *Alla 3-aastased lapsed tuleb eemale hoida, kui nad ei ole pideva järelevalve all.*

3 kuni 8-aastased lapsed võivad ainult seadme sisse/välja nuppu kasutada juhul, kui seade on installitud ja valmis tavalise töö jaoks ning nad on järelevalve all ja instrueeritud seadme ohutu kasutuse kohta ja saavad ohtudest aru.

3 kuni 8-aastased lapsed ei tohi seadet kontaktipesasse sisse lülitada, seadistada, puhastada või kasutaja hooldust teha.

See seade võib kasutada üle 8-aastaste laste ja füüsiliste, meeleliste või vaimsete oskustega või ebapiisavate kogemuse ja teadmistega isikute poolt, kui nad on järgitud või instrueeritud seadme ohutu kasutamise kohta ja saavad ohtudest aru. Lapsed ei tohi seadmega mängida. Puhastamist ja kasutaja hooldust ei tohi lapsed teha, kes ei ole järelevalve all.

! *Selle toote mõned osad võivad väga kuumaks saada ja põletusi tekitada. Seal, kus asuvad lapsed ja haavatavad isikud, tuleb pöörata eritähelepanu.*

- Enne seadme sisselülitamist: kontrollige kas tüübisildil näidatud vool vastab teie kodus olevale voolule.
- Ärge minge kodust välja niikaua kui seade on sisselülitatud: veenduge, et lüliti on välja lülitatud asendis. Alati võtke seadme pistik pistikupesast välja.
- Hoidke kergsüttivad esemed, nagu mööblid, padjad, voodipesu, paber, riided, kardinad jne vähemalt 100 cm kaugusel elektrilisest kaminast.
- Ärge kasutage seadet piirkondades, kus kasutatakse või hoitakse tuleohtlikke aineid. Ärge kasutage seadet piirkondades, kus on olemas süttivaid õhkkondi (näiteks: kergsüttivate gaaside või aerosoolide lähedal), kuna on olemas väga suur plahvatuse või tulekahju oht!
- Ärge sisestage ja laske väliskehasid (sisenevate või väljuvate) ventilatsioonivahende sisse, sest see võib elektrilööki või tulekahju tekitada või seadet kahjustada.
- Seade ei sobi loomade kasvatamiseks ning on ettenähtud ainult kodukasutuse jaoks!
- Kõike sagedasem ülekuumenemise põhjuseks on seadmesse kiude ja tolmu kogumine. Puhastage ventilatsiooniavad tolmuimejaga regulaarselt ning enne seda seade tuleb kindlalt elektrivõrgust välja lülitada.
- Seadet märja või niiskete kätega mitte kunagi puudutada, sest see on eluohtlik!
- Pistikupesa peab kogu aeg kättesaadav olema selleks, et pistik saaks võimalikult kiiresti

elektrivooluvõrgust välja võtta! Voolujuhet või seadet ise mitte kunagi tömmata elektrivõrgust välja.

- Tähelepanu! Väljuv õhk soojeneb töötamise ajal (kuni üle 100 kraadini).
- Kui seadme voolujuhe on katki, katkestage selle kasutust ja võtke turustajaga/müüjaga ühendust, et lisa juhendid rikke kõrvaldamiseks spetsialiseeritud teeninduskeskuses saada.
- Kui seade ei ole korras või töötab ebaõigest, peatage see ja ärge seda ise parandage. Igasuguste paranduste jaoks tuleb müügiärgsesse teeninduskeskusesse pöörduda. Ainult seal vahetatakse katkine osa. Sellest tingimusest mitte kinnipidamisel kahjustatakse seadme ohutus.
- Kui otsustate, et te seda liiki seadet enam ei kasutada, on soovitatav, et te teeksite seda mitte kasutatavaks juhtme äralõikamise kaudu pärast elektrivõrgust lahti ühendamist. Soovitatakse ka kõik seadmega seotud ohud ohutuks teha, eriti laste jaoks, kes võivad amortiseeritud seadist (seadet) mängimiseks kasutada.
- Seadet mitte kunagi asjata sisselülitatuna jätta. Lülitage seade elektrivõrgust välja, mil te seda pikaajaliseks ei kasuta.
- Seadet ei tohi otse pistikutoosi alla panna!
- **Tähelepanu:** Ärge seadet kasutage programmaatoriga, loendajaga või muu seadisega, mis lülitab seadme automaatselt sisse, kuna kui seade on kaetud on olemas tulekahjuoht.
- Pange voolujuhe nii, et see inimeste liikumist ei takistaks ja selle peale ei saaks astuda! Kasutage ainult lubatud pikendusjuhtmed, mis sobivad seadmele ehk neil on vastavuse märk!
- Ärge murdke juhet ja ärge tömmake seda teravate servade läbi ning ärge seda pange kuumadele plaatide või lahtist leegi peale.
- Seadet mitte kunagi ümber paigaldada juhtmega tömmates ja juhet mitte esemete viimiseks kasutada!
- Kaminat mitte esiklaasi kaudu üles tõsta.

PAKEND

- Pärast seadme pakendist väljavõtmist kontrollige kas seade ei ole transpordimisel rikki läinud, kontrollige kas seade on täielikult pakitud! Juhul kui on kindlaksmääratud rike või ebatäielik kohtaletoimetamine, siis tuleb teie pädeva müüjaga ühendust võtta!
- Originaali pakendit mitte ära viisata! Seda võib hoidmiseks või transpordimiseks kasutada rikete vältimiseks vedamise tulemusena!

- Pakendi materjali äraviskamine tuleb sobival viisil toimuda! Lapsed tuleb eemale hoida selleks, et nad ei mängiks polüetüleeni kottidega!

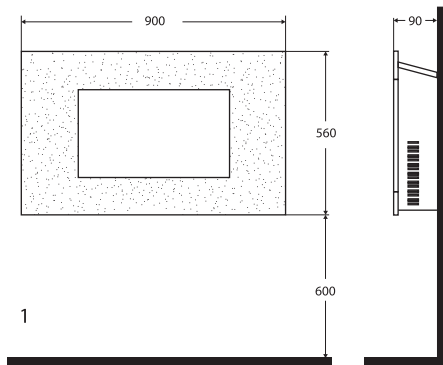
SEADME INSTALLIMINE JA KASUTAMINE



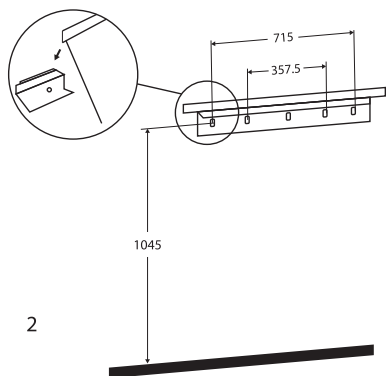
Kamin on ettenähtud kasutamiseks üksnes seinale paigaldamise kaudu!

KASULIKUD NÕUD ENNE KAMINA PAIGALDAMIST

- Pakendis olevad fikseeritavad elemendid on väikse suurusega ja tuleb eemale väikestest lastest hoida. Me soovime, et te paneksite kõik elemendid ühte väiksesse karpis, et nad ohutuseks teha laste jaoks.
- Väiksed lapsed ei tohi polüetüleeni kottidega mängida, kuna on olemas lämbumisoht. Me soovime, et te viskaksite polüetüleeni kotid ära kohe pärast nende sisu väljavõtmiseks.
- Ärge ühendage kaminat elektrivõrguga enne kui kamin on seinale hästi kinnitatud ja pärast kõike tähtsaid ülalpool mainitud ohutusjuhendid läbilugemist.
- Minimaalsed kaugused kamina üle ja all peavad olema nii, nagu nad on ülalpool kirjeldatud ja allpool visualiseeritud.
- Seadme paigaldamisel tuleb ette vaadata, et seinas sisepandud elektrijuhtmeid mitte kahjustada. Palun, et te vaataksite ette paigalduse jaoks avade puurimisel. Elektrilöögioht!
- Seade on kavandatud seinale püsivaks kinnitamiseks vähemalt 300 mm kõrgusele pörandi suhtes. Seinakandev kinniti tuleb horisontaalselt paigaldada. Voolujuhe asub kamina alumisel paremal nurgal.

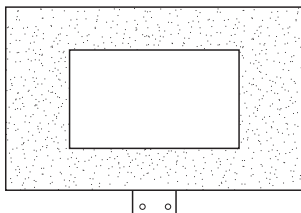


- Kõrgus 600 mm pörandi suhtes on soovitatav tule efekti optimaalseks visualiseerimiseks (vt Joonist 1 fikseerimise soovitatava suuruste kohta).
- Optimaalseks visualiseerimiseks tuleb ülevaste seinale kinnitamiseks 5 kruvide asendid märkida vastavalt soovitatavatele fikseerivatele suurustele (vt Joonis 2: Avad 6 mm puuriga).



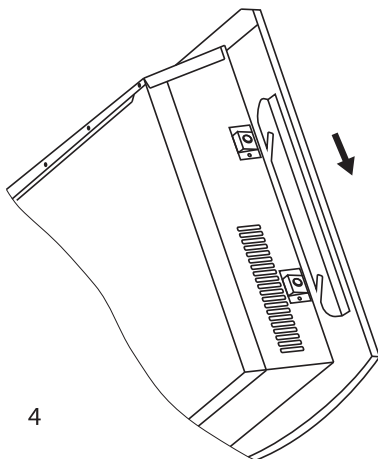
2

- Fikseerige kandev kinniti seinale kruvide kaudu.
- Tõstke ettevaatlikult kamin üles nii et kamina ülemine tagumine serv (äär) satuks seinale kandva fikseeriva kinniti alla (vt Joonist 2) ja pange kamin keskele.
- Suruge kamin ettevaatlikult vastu seinale.
- Märkige alumiste aukude asendid (vt Joonist 3), kõrvaldage kamin, oles kindel, et alumine fikseeritav kinniti on kinni keeratud ja ei segaks.



3

- Puurige alumiste aukude avad ja fikseerige seinale.
- Paigaldage kamin seinale fikseeritud kandvale kinnitile ja keerake alumise osa fikseeritav kinniti kinni. Kasutage turvakruvi kamina seinale lõpmiseks kinnitamiseks ja seda kindlustada lahtihakimise võimaluse vastu.
- Võtke trunk polüetüleenist kotist välja ja pange need piki valgust kirkavat element soovitud konfiguratsiooni ja asendisse.
- Pange esiklaas korda, kusjuures tuleb jälgida kas pilud on kahe kaupa sisse läinud igalt poolt tugitelgedes suhtes (vt Joonist 4). Tavaliselt selleks toiminguks on vaja kahte inimest.



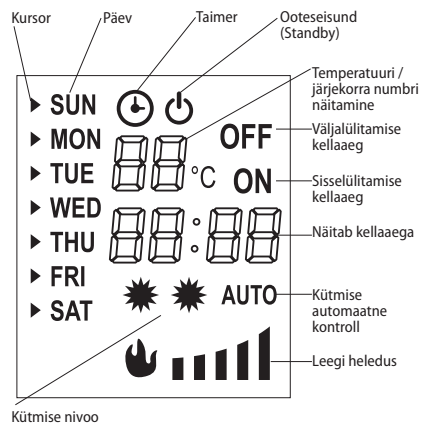
4

Märkus: Seadme kasutusel ümbruses, kus taustamüra on liiga väike, on võimalik, et oleks heli kuulda, mis on seotud efektse leegi töötamisega. See on normaalne ja ei pea muret tekitada.

KAMINA KASUTAMINE

Kamin võib juhtida selle ülevasel paremal osal olevate lülitite kaudu või kaugjuhtimisega.

LED-EKRAAN



Temperatuuri ja järjekorra numbri näitamine

Tavaliselt näitab ekraan toatemperatuuri; temperatuuri seadistamisel näitab ekraan seadistatavat temperatuuri; Taimeri seadistamisel näitab ekraan järjekorra numbrit.

Kellaaja näitamine

Tavaliselt näitab ekraan hetkel olevaid kella ja minuteid; taimeri seadistamisel näitab ekraan seadistatavaid kella ja minuteid.

Programmeeritud sisse- ja väljalülitamine

Näidatakse taimeri seadistamisel ja kasutatakse koos seadistamise järjekorranumbriga.

Näiteks,

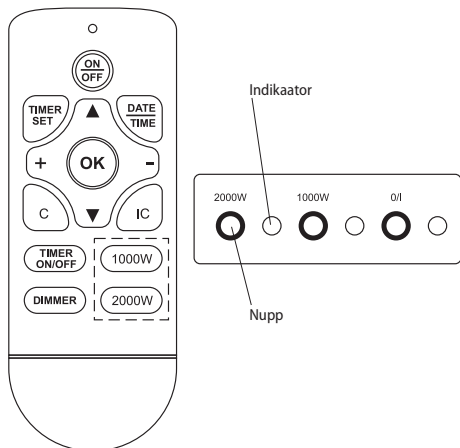
05 ON tähendab, et 5 (viienda) seadistamise algamise aeg on 23:40;

05 OFF tähendab, et 5 (viienda) seadistamise väljalülitamise aeg on 6:10.

Leegi heledus

Näitab hetkel olevat leegi heledust, mida saab seadistada 1 kuni 5 nivoooni. Seda ikooni ei näita värvilise leegiga mudelid.

KAUGJUHTIMINE JA JUHTPANEEL



SISSELÜLITAMISE SAMMUD

1. Ühendage vooluallikaga
2. Keerake voolulüliti asendisse „sisse“
3. Vajutage voolulüliti või kaugjuhtimise „ON/OFF“ nupule aparadi sisselülitamiseks

SOJENDI

1. Vajutage 1000W nupule kamina kütmise madala võimsusega reguleerimiseks ja kütmise kinnipanemiseks;
2. Vajutage 2000W nupule kamina kütmise kõrge võimsusega reguleerimiseks ja kütmise kinnipanemiseks.

AUTOMAATNE KÜTMINE

Vajutage kaugjuhtimise IC nupule automaatse kütmise aktiveerimiseks või väljalülitamiseks.

Kui see funktsioon on aktiveeritud, saab kamin muuta automaatselt kütmise režiimi, olenes seadistatud temperatuurist ja toatemperatuurist.

Programmeeritud stardi režiimis on võimalik, et kütmine algaks enne programmeeritud aja algamist.

ÜHEVÄRVIGA JA LEEGI REGULEERITAVA HELEDUSEGA KAMIN

Esimene võimalus: Hoidke O/I (⏻) nuppu vajutatud – leegi heledus muutub; võtke nupust lahti kuni te soovitatud heleduse saate.

Teine võimalus: Vajutage kaugjuhtimise „DIMMER“ nupule – leegi heledus muutub iga vajutamisega nupule.

KUUPÄEVA JA KELLAAJA SEADISTAMINE

1. Seadistused toimuvad kaugjuhtimise kaudu;
2. Vajutage „DATE TIME“ nupule ja siis valige kuupäev ▲ või ▼, nuppudele vajutades;
3. Vajutage uuesti „DATE TIME“ nupule ja siis seadistage kell „+“ või „-“ vajutades;
4. Vajutage uuesti „DATE TIME“ nupule ja siis seadistage minutid „+“ või „-“ vajutades;
5. Vajutage „OK“ nupule seadistamiste lõpetamiseks

TEMPERATUURI SEADISTAMINE

Vaikimisi seadistatud temperatuur on 20 kraadi. Temperatuuri võite seadistada vahemikus 15 kuni 30 kraadini kaugjuhtimise „+“ või „-“ nuppudele vajutades (taimer on väljalülitatud).

TAIMERI SEADISTAMINE

1. Seadistamise kirjeldus

On võimalik kuni 10 taimeri erinevad seadistused seadistada.

Igal ühel seadistusel on oma kuupäeva, sisse- ja väljalülitamise kellaaega.

Iga seadistamise maksimaalne kestus on 23 tundi ja 50 minutit.

Seadistatud kuupäev igale seadistamisele võib olla iga nädalapäev või nädalapäevad.

Iga seadistamise kuupäev on stardiaja kuupäevaks.

Kui seadistatud väljalülitamise kellaaeg on järgmisel päeval, siis ei ole vaja kuupäeva seadistada vaid tuleb ainult väljalülitamise kellaaja seadistada.

2. Taimeri seadistamiste kontrollimine

Vajutage „TIMER SET“ nupule.

Vajutage „+“ või „-“ nupule iga ühe seadistamise taimeri sisselülitamise aja kontrollimiseks.

Vajutage „▲“ nupule taimeri väljalülitamise kellaaja kontrollimiseks.

Vajutage „+“ või „-“ nupule kontrollimise jätkamiseks.

Vajutage „C“ nupule praeguse seadistamise kustutamiseks.

(I) Valige seadistamised

Vajutage „TIMER SET“ nupule: seadistamise järjekorranumber hakkab vilkuma.

Nuppudele „+“ või „-“ vajutades lähete seadistamise järjekorranumbrini, mida on vaja seadistada või muuta.

(II) Valige kuupäev

Vajutage „TIMER SET“ nupule: kursor vasakpool kuupäevast hakkab vilkuma.

Nuppudele ▲ või ▼ vajutades liigutage kursorit vastavale kuupäevale; vajutage „+“ nupule kuupäeva lisamiseks või vajutage „-“ nupule kuupäeva kustutamiseks kuni olete valmis kuupäevade valimisega.

(III) Sisselülitamise aja seadistamine

Vajutage kestvalt „TIMER SET“ nupule: kell hakkab vilkuma.

Seadistage kell nuppudele „+“ või „-“ vajutades.

Vajutage kestvalt „TIMER SET“ nupule: minutid hakkavad vilkuma.

Seadistage minutid nuppudele „+“ või „-“ vajutades.

(IV) Väljalülitamise aja seadistamine

Vajutage „TIMER SET“ nupule: ekraan on välja lülitatud ja kell hakkab vilkuma.

Seadistage kell „+“ või „-“ nuppudele vajutades.

Vajutage kestvalt „TIMER SET“ nupule: minutid hakkavad vilkuma.

Seadistage minutid „+“ või „-“ nuppudele vajutades.

(V) Temperatuuri seadistamine

Vajutage „TIMER SET“ nupule: seadistatud temperatuur hakkab vilkuma. Ekraan näitab seadistatud temperatuuri, mille võib seadistada „+“ või „-“ nuppudele vajutades.

(VI) Vajutage „TIME SET“ nupule seadistustega jätkamiseks või vajutage „OK“ nupule seadistamise lõpetamiseks.

APARAADI HILINENUD SISSE-/VÄLJALÜLITAMINE

„TIMER ON/OFF“ nupu kaudu võib programmeeritud sisse- ja väljalülitamist juhtida.

Restardige aparaat pärast elektrivoolu väljalülitamist; seadistamised on salvestatud, aga tuleb hetkel olevad kuupäeva ja kellaaja sisestada.

KAITSE ÜLEKUUMENEMISE VASTU

Seadme komplekti kuulub kaitse termo-väljalülit, mis paneb end ise käima kõrge temperatuuri korral (näiteks väljuvate õhu avade blokeerimisel). Ohutuse jaoks ei tee termo-väljalülitit restarti. Restarti tegemiseks on vaja juhe pistikupesast välja võtta, umbes 10 minutit oodata ja pistik uuesti kontaktpesasse sisse panna. Siis hakkab seade normaalselt töötada ning kui seda ei juhtu, on vaja sisenevaid ja väljuvaid avasid kontrollida. Kui neil on kõik korras (ja seade on regulaarselt tolmust puhtaks tehtud), on vaja teie asukohas olevasse müügiärgsesse teeninduskeskusesse pöörduda.

! *Termo-väljalülitit mitte kavandatud restarti tegemist vältida, ei pea seadmele välisseadist panna, nagu taimerit või järjestikusele elektriühelasse sisselülitatud lülitit, mis regulaarselt lülitab end ise sisse või välja mugavuse jaoks.*

PUHASTAMINE

- Esmalt tuleb seade kindlalt välja lülitada ja seina kontaktist välja tõmmata. Enne kui te hakkate kaminat puhastama tuleb see jahtuma lasta.
- Puhastage korpust niiske rätikuga, tolmuimejaga või harjaga.
- Seadet mitte kunagi vette uppuda, kuna on olemas elektrilöögi eluohut!
- Bensiini, lahusti või abrasiivseid tooraineid mitte kunagi kasutada, kuna nad kahjustavad seadme katet.

HOID

- Enne kamina ärapanemist tuleb see jahtuma lasta pistikupesast välja lülitamise kaudu.
- Kamina hoidmiseks kasutage originaalset pakendit, kui seadet ei kasutata mõneks ajaks. Toode kaitstakse liigse tolmamise ja reostamise vastu selle originaalsesse pakendisse ärapanemise kaudu.
- Sooja seadet mitte kunagi sellesse pakendisse ära panna!
- Seade tuleb kuivas ja kaitstud otsese päikesevalguse eest kohas hoida.
- Seadme hoidmine niisketes või märgades kohtades on rangelt keelatud.

ÜHE PAKENDI KOMPLEKT:

Kamin	1
seinale fikseerimiseks kinniti	1
Fikseeritavad kruvid ja 1 turvaelement	1
kaugjuhtimine	1
paigaldus-, kasutus- ja hoidmisjuhend	1
garantiikaart	1

SEADME TEHNILISED PARAMEETRID:

Valgustus - LED süsteem (ilma лампы заменяемыми части)

Mudel	Teatatud võimsus	Teatatud voolupinge	Teatatud sagedus
WEF200SRELW TR	2000W	220-240V~	50Hz



TÄHELEPANU: Ülekuumenemise vältimiseks kaminat mitte katta.



Juhendid miljö säästmise kohta

Vanad elektriseadmed sisaldavad väärtuslikke materjale ja selle pärast ei tohi neid koos koduprügiga ära visata! Palume teie aktiivse koostöö eest ressurside ja miljö säästmiseks ja seadme korraldatud kokkusu punktidele (kui selliseid on olemas) üle anda.

TABEL 2 ELEKTRI-KOHTKÜTTESEADMETE KOHTA NÕUTAV TEAVE
Mudeli tunnuskood(id): 1.WEF200SRELW TR 2000W/220-240V~ 50Hz

Näitaja	Tähis	Väärtus1.	Ühik	Näitaja	Ühik
Soojusvõimsus				Sissetuleva soojuse liik, üksnes elektriliste soojust salvestavate kohtkütteseadmete puhul (valige üks)	
Nimisoojusvõimsus	P_{nom}	2.00	kW	Soojushulga käsijuhtseadis sisseehitatud termostaadiga	[jah/ei]
"Minimaalne soojusvõimsus (soovituslik)"	P_{min}	1.00	kW	Soojushulga käsijuhtseadis toa- ja/või välistemperatuuri tagasisidega	[jah/ei]
"Maksimaalne pidev soojusvõimsus"	$P_{max,C}$	2.00	kW	"Elektroniline soojushulga juhtseadis toa- ja/või välistemperatuuri tagasisidega"	[jah/ei]
"Lisaelektrienergia tarbimine"				Ventilaatori muudetav soojusvõimsus	[jah/ei]
Nimisoojusvõimsusel	$e_{l,max}$	0.014	kW	Soojusvõimsuse/toatemperatuuri seadistamise viis (valige üks)	
Minimaalsel soojusvõimsusel	$e_{l,min}$	0.014	kW	"Üheastmelise soojusvõimsusega, toatemperatuuri seadistamise võimaluseta"	[ei]
Ooteseisundis	el SB	Stand by 0.00048	kW	Kahe või enama käsitsi valitava astmega, toatemperatuuri seadistamise võimaluseta	[ei]
				Toatemperatuuri seadistamine mehaanilise termostaadiga	[ei]
				Toatemperatuuri elektroonilise seadistamisega	[ei]
				"Toatemperatuuri elektroonilise seadistamise ja ööpäevataimeriga"	[ei]
				"Toatemperatuuri elektroonilise seadistamise ja nädalataimeriga"	[jah]
				Muud juhtimisvõimalused (mitu valikut lubatud)	
				"Toatemperatuuri seadistamine koos ruumis viibimise avastamisega"	[ei]
				"Toatemperatuuri seadistamine koos avatud akna avastamisega"	[ei]
				Kaugjuhtimisvõimalusega	[ei]
				Kohaneva käivitusjuhtimisega	[jah]
				Tööajapiiranguga	[ei]
				Musta lambiga anduriga	[ei]

TESY Ltd
48 Madara Blvd,
Shumen, 9700,
Bulgaria



Прочитајте тековните инструкции пред да го користите овој апарат и чувајте ги овие упатства за понатамошна употреба. При промена на сопственикот, упатствата треба да се пренесува заедно со апаратот!

Ви благодариме што го одбравте електрични камин WEF200SREWLW TR. Тоа е уред кој нуди греење во зима, од 1000 W или 2000 W, во зависност од потребите за постигнување на смирената топлина во загреваната просторија. При правилна употреба и нега, како што е опишано во овие инструкции, апаратот ќе ви

обезбеди многу години корисно функционирање.

ВАЖНИ МЕРКИ И УПАТСТВА ЗА БЕЗБЕДНОСТ:

- Овој уред треба да се користи само за намената за која бил предвиден, односно да грее битни простории. Уредот не е наменет за комерцијални цели. Секоја различна употреба да се смета за несоодветна и затоа опасна. Производителот не може да носи одговорност за штета кои произлегуваат од неправилна и неразумна употреба. Неспазване на информациите за безбедност ќе го направи невалидно поет гаранција за уредот!



Деца на помалку од 3 години, треба да се чуваат надвор, освен ако не се под постојано набљудување.

Деца на возраст од 3 години до 8 години можат само да користат копчето вкл. / искл. на апаратот, под услов апаратот е инсталиран и е подготвен за нормална работа и биле забележани и наложено за неговата употреба на безбеден начин и разбираат дека може да е опасно.

Деца на возраст од 3 години до 8 години не треба да вклучуваат апаратот во штекерот, да го дотеруваат, да го чистат или да вршат корисничката подршка.

Овој уред може да се користи од деца на возраст над 8 години и лица со намалени физички, сензорни или ментални способности, или со недоволно искуство и знаење, ако тие беа забележани или наложено за безбедно користење на апаратот и ги разбираат опасностите. Децата не треба да си играат со апаратот. Чистење и потрошувачкото одржување не треба да се прави од деца без надзор.



Некои делови на овој производ може да станат многу жешки и да предизвикаат изгореници. Таму каде што, присуствуваат деца и ранливи луѓе, треба да биде доставено посебно внимание.

- Пред да го вклучите уредот - проверете дали наведениот напон на типската табела одговара на напонот који се доставува до вашиот дом.
- Не напуштајте домот, додека апаратот е вклучен: осигурајте се дека ключа е во положбата исклучено (се однесува за конвекторите со механичко управување).
- Држете запаливи предмети, како мебел, перници, постелнина, хартија, облека, завеси и сл. на растојание од најмалку 100 см далеку од конвекторот.
- Не користете го уредот каде што се користат или чуваат запаливи материи (на пример: во близина на запаливи гасови или аеросоли) - постои многу голема опасност од експлозија и пожар!
- Не вметнувајте и не дозволувајте туѓи тела да падне во отворите за вентилација (дојдовни или појдовни), бидејќи тоа ќе предизвика електричен удар, пожар или дефект во конвекторот.
- Апаратот не е погодан за одгледување на животни, и истиот е предвиден само за домашна употреба!

- Најчеста причина за прегревање е акумулација на мов и прашина во уредот. Редовно чистете со правосмукалка вентилацијските отвори, како пред тоа задолжително го исклучите апаратот од електричната мрежа.
- Никогаш не допирајте апаратот со влажни раце - постои опасност за животот!
- Штекерот треба да биде достапен во секоје време, за да може приклучокот да биде ослободуван при потреба можно побрзо! Никогаш не влечете го кабелот флекс или самиот уред при исклучување од мрежата.
- Да обрнат внимание! Издувниот воздух се загрева за време на работа (до повеќе од 100°C).
- Ако кабелот флекс на овој уред е оштетен, прекинете неговата употреба и контактирајте со обезбедувачот / продавачот за дополнително инструкции.
- Ако уредот не е во ред или функционира неправилно, запрете го и не го поправајте. За сите поправки контактирајте за помош кон Сервисниот центар за услуга по продажбата. Само таму ќе заменуваат неисправната дел со оригинални резервни таква. Не почитувањето на овој услов ќе ја компромитира безбедноста на апаратот.
- Ако одлучите да престанете да го користите апаратот од овој тип, се препорачува да го направите неупотребливи, како намалување кабелот, откако сте го исклучиле од мрежата. Препорачува се уште сите опасности поврзани со уредот да бидат обезбедени, особено за деца кои би можеле да користат амортизираниот уред (апаратот) за игра.
- Никогаш не оставајте непотребно апаратот вклучен. Исклучете го од струја кога нема да го користите подолго време.
- Апаратот не треба да се става непосредно под прикључната кутија!
- **Внимание:** Не користете го апаратот со програматор, контра или друг уред кој автоматски го вклучува бидејќи, ако апаратот е покриен или неправилно поставен постои опасност од пожар.
- Ставете кабелот флекс, па да не го попречува движењето на луѓето и да не биде случауваат! Користете само одобрени продолжни кабли, кои се погодни за апаратот, односно имаат знак за согласност!
- Не прекршувајте кабелот и не го влечете преку остри рабови и не го ставајте на жешки плочи или отворен оган!
- Не прекршувајте кабелот и не го влечете преку остри рабови и не го ставајте врз жешки плочи или отворен оган! Никогаш не ползвайте този уред в непосредствена близост до баня, до душ или до плувен басейн!
- Не кревајте каминот преку предното стакло.

ПАКУВАЊЕ

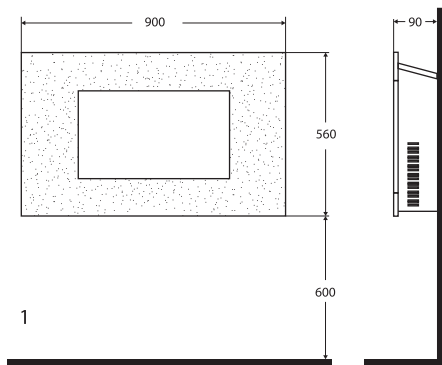
- По отпакување на апаратот, проверете дали при транспортот не е оштетен и дали е целосно опремен! Во случај да биде констатирано оштетување или нецелосна испорака, контактирајте со Вашиот овластен продавач!
- Не фрлајте оригиналната кутија! Таа би можела да се користи за чување и транспорт, за да се избегне оштетување од транспортот!
- Фрлањето на амбалажата треба да станува соодветен начин! Децата треба да се чува да не си играат со полиетиленските кеси!

ИНСТАЛИРАЊЕ И КОРИСТЕЊЕ НА УРЕДОТ

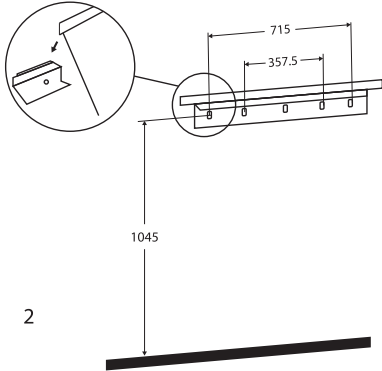


Каминот е наменет исклучиво за употреба преку зидна монтажа!

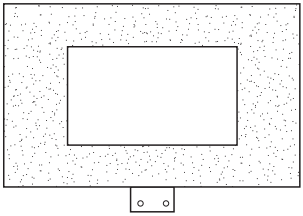
- Фиксните елементи во пакувањето се мали по големина и е потребно да се чуваат подалеку од мали деца. Препорачуваме сите елементи да се стават во една мала кутија и да се воздржават подалеку од децата.
- Малите деца не треба да си играат со полиетиленска кеси - опасност од задушување. Препорачуваме да се фрлаат веднаш по донесување на нивната содржина.
- Не приклучувајте електричниот камин, додека истиот не е добро прицврстен кон зидот и не сте ги прочитале сите важни инструкции за безбедност опишани во делот погоре.
- Минималните растојанија пред, над и под каминот треба да се запазат, опишани се погоре, а визуелизира се надолу.
- При монтирањето на уредот, треба да се внимава да не се оштетат вкопаните во ѕидовите проводници. Ве молиме бидете внимателни при дупчење на отворите за монтажа. Опасност од струен удар!
- Овој уред е дизајниран да биде трајно прицврстена за ѕид на височина од минимум 300 mm спрема подот. Носечката заграда на зидот треба да се монтира хоризонтално. Кабелот за напојување се наоѓа во долниот десен агол на каминот.



- Висина од 600 mm спрема подот е препорачлива за оптимално прикажување на горивниот ефект (види Слика 1 за препорачани димензии за фиксирање).
- За оптимална визуелизација, обележете позициите на горните 5 навртки за прицврстување на ѕид во согласност со препорачаните фиксни големини (види Слика 2. отвори со шест мм бургија).

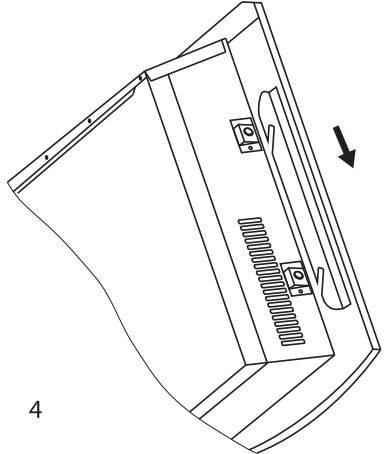


- Прицврстете носечкиот стегач кон ѕидот преку завртките.
- Внимателно подигнете каминот нагоре, па горниот заден раб (перваз) на каминот да падне над носечката фиксна планка на ѕидот (види Слика 2) и ставете централно.
- Внимателно притиснете каминот кон ѕидот.
- Означете позицијата на долните дупки (види Слика 3), отстранете каминот, како сте сигурни дека долната фиксна планка е наместена и не попречува.



- Издупчите отворите за долните дупки и фиксирајте на ѕидот.
- Ставете каминот кон на носечката стегач, фиксирана на ѕидот и завртете го држачот за фиксирање на долниот дел. Користете го безбедниот навој за да го закачите конечно каминот кон ѕидот и да га обезбедите против можност за откачување.

- Распакувајте трупците од полиетиленската кеса и ставете ги долж зрачниот светлосни елемент во саканата конфигурација и позиција.
- Ставете предното стакло, како гледате да се влегле два по два длабините на секоја страна во однос на потпорне оси - (види Слика 4). Обично се потребни двајца зборови за оваа операција.

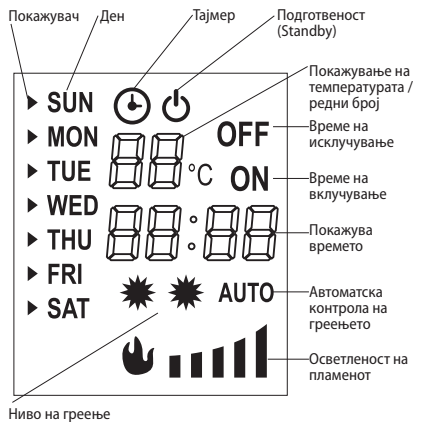


Забелешка: При користење на уредот во средина каде бучавата во позадината е многу мал е можно да се слуша звук, кој е поврзан со дејството на спектакуларниот пламен. Тоа е нормално и не треба да биде причина за загриженост.

КОРИСТЕЊЕ НА КАМИНОТ

Каминот може да се управува преку преклопниците, позиционирани во горниот десен дел на каминот или преку далечински управувач.

LED ДИСПЛЕЈ



Прикажување на температура и редни број

Обично, дисплејот покажува собната температура; додека се поставува температурата, на дисплејот се покажува поставената температура;

Кога се поставува тајмерот, дисплејот покажува редниот број.

Прикажување на часот

Обично, дисплејот покажува тековниот час и минути кога се поставува тајмерот, дисплејот покажува посакуваниот час и минути.

Програмиран старт и исклучување

Покажува се поставува тајмерот и се користи во комбинација со редниот број на поставката.

На пример,

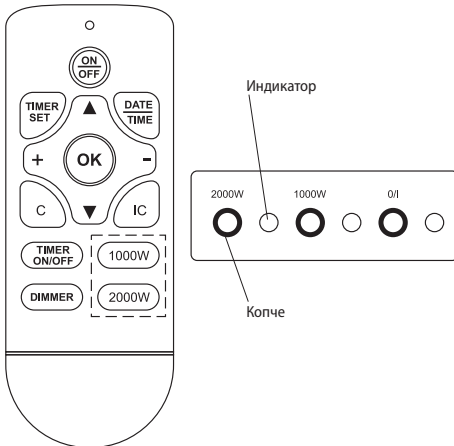
05 ON значи, да време за стартување на 23:40 поставувањето 5 е 23:40;

05 OFF значи, да време на исклучување на 06:10 поставувањето 5 е 6:10.

Осветленост на пламенот

Ја покажува моменталната осветленост на пламенот, која може да се прилагоди од ниво 1 до ниво 5. Оваа икона не се прикажува за моделите со обоен пламен.

ДАЛЕЧИНСКИ УПРАВУВАЧ И КОНТРОЛЕН ПАНЕЛ



ЧЕКОРИ ЗА ВКЛУЧУВАЊЕ

1. Поврзете се на напојување.
2. Поставете го прекинувачот за напојување на позиција „Вклучено“.
3. Притиснете го прекинувачот за напојување или копчето „ON / OFF“ на далечинскиот управувач за да го вклучите уредот

ГРЕЕН УРЕД

4. Притиснете го копчето 1000W за да можете да го прилагодите греењето со мала моќност на каминот и да го запрете греењето;
5. Притиснете го копчето 2000W, за да можете да го прилагодите греењето со висока моќност на каминот и да го запрете греењето.

АВТОМАТСКО ГРЕЕЊЕ

Притиснете го копчето IC на далечинскиот управувач за да го активирате или деактивирате автоматското греење.

Кога е активирана оваа функција, каминот може автоматски да го менува режимот на греење во зависност од поставената температура и собната температура.

Во режим на програмиран старт, греењето може да започне пред истекот на програмираното време.

КАМИН СО ЕДНОБОЕН ПЛАМЕН И ПРИЛАГОДЛИВА ОСВЕТЛЕНОСТ НА ПЛАМЕНОТ

Прв начин: Задржете го притиснато копчето O/I (☺) осветленоста на пламенот се менува; отпуштете го копчето кога ќе ја достигнете посакуваната осветленост.

Втор начин: Притиснете го копчето „DIMMER“ на далечинскиот управувач - осветленоста на пламенот се менува постепено со секое притискање на копчето.

ПОСТАВУВАЊЕ НА ДАТУМ И ЧАС

1. Поставките се вршат преку далечинскиот управувач;
2. Притиснете го копчето „DATE TIME“, потоа со притискање на копчињата ▲ или ▼, одберете го датумот;
3. Притиснете го копчето повторно „DATE TIME“, потоа со притискање на копчињата „+“ или „-“, поставите часот;
4. Притиснете го копчето повторно „DATE TIME“, потоа со притискање на копчињата „+“ или „-“, поставите минутите;
5. Притиснете го копчето „OK“, за да ги завршите поставките

ПОСТАВУВАЊЕ НА ТЕМПЕРАТУРА

Поставената стандардно температура е 20°C. Можете да ја поставите температурата во опсегот од 15 до 30°C со копчињата „+“ или „-“ на далечинскиот управувач (тајмерот е исклучен).

ПОСТАВУВАЊЕ НА ТАЈМЕР

1. Опис на поставката

Може да поставите најмногу 10 одделни поставки за тајмерот.

Секоја поединечна поставка има датум, време за стартување и време на исклучување.

Максималната должина на секоја поставка е 23 часа и 50 минути.

Поставениот датум за секоја поставка може да биде секој ден или денови од неделата.

Датумот на секоја поставка е датумот на времето за стартување.

Ако поставеното време на исклучување се паѓа на следниот ден, не треба да го наместите датумот - само треба да го поставите времето за исклучување.

2. Преглед на поставките на тајмерот

Притиснете го копчето „TIMER SET“.

Притиснете го копчето „+“ или „-“, за да го проверите времето за стартување на тајмерот за секоја индивидуална поставка.

За да го проверите времето на исклучување, притиснете го копчето „▲“.

Притиснете го копчето „+“ или „-“, за да продолжите со прегледот.

За да ја избришете моменталната поставка, притиснете го копчето „C“.

3. Чекори за поставување на поставки на тајмерот

(I) Изберете ги поставките

Притиснете го копчето „TIMER SET“ – редниот број за поставување почнува да трепка.

Со притискање на копчињата „+“ или „-“ преминувате до редниот број на поставката што треба да ја поставите или промените.

(II) Изберете датум

Притиснете го копчето повторно „TIMER SET“ – курсорот лево од датумот почнува да трепка.

Со притискање на копчињата ▲ или ▼ поместете го курсорот до соодветниот датум; притиснете го копчето „+“, за да го додадете датумот или притиснете го копчето „-“, за да го избришете датумот додека не завршите со одбирањето на датуми.

(III) Поставување на времето за стартување

Продолжено притиснете го копчето „TIMER SET“ – часот почнува да трепка.

Со притискање на копчињата „+“ или „-“, поставете го часот.

Продолжено притиснете го копчето „TIMER SET“ – минутите почнуваат да трепкаат.

Со притискање на копчињата „+“ или „-“, поставете ги минутите.

(IV) Поставување на времето за исклучување

Притиснете го копчето „TIMER SET“ – дисплејот е исклучен и часот почнува да трепка.

Со притискање на копчињата „+“ или „-“, поставете го часот.

Продолжено притиснете го копчето „TIMER SET“ – минутите почнуваат да трепкаат.

Со притискање на копчињата „+“ или „-“, поставете ги минутите.

(V) Поставување на температура

Притиснете го копчето „TIMER SET“ – поставената температура почнува да трепка. На дисплејот се прикажува зададената температура што можете да ја прилагодите со притискање на копчињата „+“ или „-“.

(VI) Притиснете го копчето „TIME SET“, за да продолжите со поставките или притиснете го копчето „OK“ за да го завршите поставувањето.

ОДЛОЖЕНО ВКЛУЧУВАЊЕ/ИСКЛУЧУВАЊЕ НА УРЕДОТ

Со копчето „TIMER ON/OFF“ можете да го управувате програмираното вклучување и исклучување.

Рестартирајте го уредот откако е исклучено напојувањето; поставките се зачувани, но неопходно е повторно да го внесете тековниот датум и време.

ЗАШТИТА ОД ПРЕГРЕВАЊЕ

Овој уред е опремен со заштитен термоклуч кои се активираат при висока температура (на пример блокирање на излезни отвори за воздух). Со цел безбедност термоклучот нема автоматски да се рестартира. За да биде рестартиран, потребно е да се извади кабелот од штекерот - да се чека околу 10 минути и да се постави повторно плугот во штекерот. Апаратот нормално би вклучил - ако тоа не се случи, потребно е да се проверат влезните и излезни отвори. Ако кај нив сè е нормално (и уредот редовно е исчистен од прав), обратете се до Сервисната база во вашата локација.



За да се избегне опасноста од ненамерно рестартирање на термочучот, на овој уред не смее да се става надворешен уред за префрлување, како тајмер, или поврзан доследно во синџирот клуч, кои редовно се вклучува или исклучува за погодност.

ЧИСТЕЊЕ

- Задолжително прво исклучете го апаратот од клучот и извадете штекерот од контактот на ѕидот. Пред да почнете да го чистите камилот, оставете да се излади!
- Искристите куќиштето со влажна крпа, правосмукалка или четка.
- Никогаш не го потопувајте уредот во вода - опасноста за животот од струен удар!
- Никогаш не користете бензин, разредувач или груби абразивни производи за чистење, бидејќи тие ќе го оштетат премазот на апаратот.

СКЛАДИРАЊЕ

- Пред да сочувате камилот, оставете да се излади како го исклучите од струја.
- Користете оригиналното пакување за складирање на камилот ако истата нема да се користи за некое време. Производот се штити од прекумерната посипување и загадување како се прибира во оригиналното пакување.
- Никогаш не ставајте топол апарат во пакување му!
- Производот е потребно да се чува на суво и заштитено од директна сончева светлина локација.
- Експлицитно се забранува неговото чување во влажни или мокри простории.

ОПРЕМУВАЊЕ ВО ЕДНО ПАКУВАЊЕ:

Камин	1 број
Стегач за фиксирање на ѕид	1 број
Фиксна завртки и осигурителен елемент	1 број
Далечински управувач	1 број
Упатство	1 број
Гаранција картичка карта	1 број

ТЕХНИЧКИ ПАРАМЕТРИ НА УРЕДОТ:

Осветлување - LED систем (нема заменливи делови)

Модел	Прогласена мoкност	Прогласени напон	Прогласена фреквенција
WEF200SRELW TR	2000W	220-240V~	50Hz



Внимание: За да се избегне прегревање, не покривајте уредот!



Упатства за заштита на животната средина

Старите електрични апарати содржат вредни материјали и поради тоа не треба да се исфрлаат заедно со битовата губре! Ве молиме да помогнете со активниот придонес за зачувување на ресурсите и животната средина и да обезбедите уредот во организираниите изкупвателни пунктови (ако има такви).



TESY

TESY Ltd - Head office
1166 Sofia, Sofia Park,
Building 16V, Office 2.1. 2nd Floor
PHONE: +359 2 902 6666,
FAX: +359 2 902 6660,
office@tesy.com