

TP SLIM LED

Linear LED luminaire



up to
110 $\frac{\text{lm}}{\text{W}}$

65 IP

[V] 220-240 AC	[Hz] 50/60	≥ 20000	25000	ellipse $\leq 60^\circ$ MacAdam	Ra ≥ 80	SMD
		IP 65	$-20 \div 40$		IK 08	
	[mm] 1-2,5	0,5m				



		[°]	[lm]	Tc [K]	[°]	
TP SLIM LED 40W-NW	27115	40	4400	4000	120	white
TP SLIM LED 50W-NW	27116	50	5500	4000	120	white



Kanlux TP SLIM LED is a small hermetic fitting which can be mounted on a surface or in a suspended form. Assembly is convenient thanks to adjustable holders and quick couplings. Owing to IP65 tightness class and IK 08 resistance to impact, you can use the fitting in such places as: industrial rooms, warehouses, car parks and garages.

- Enclosure material: plastic
- Lampshade material: plastic

TP SLIM LED

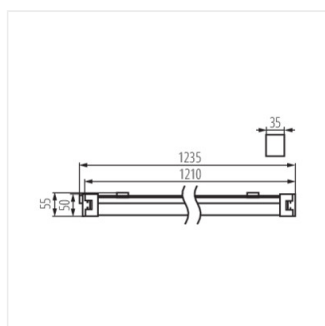
Linear LED luminaire



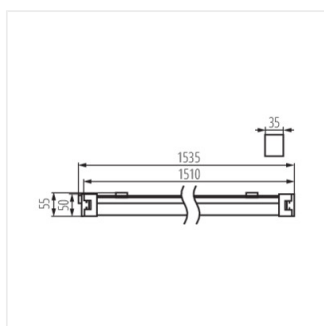
TP SLIM LED 40W-NW



TP SLIM LED 50W-NW



TP SLIM LED 40W-NW



TP SLIM LED 50W-NW