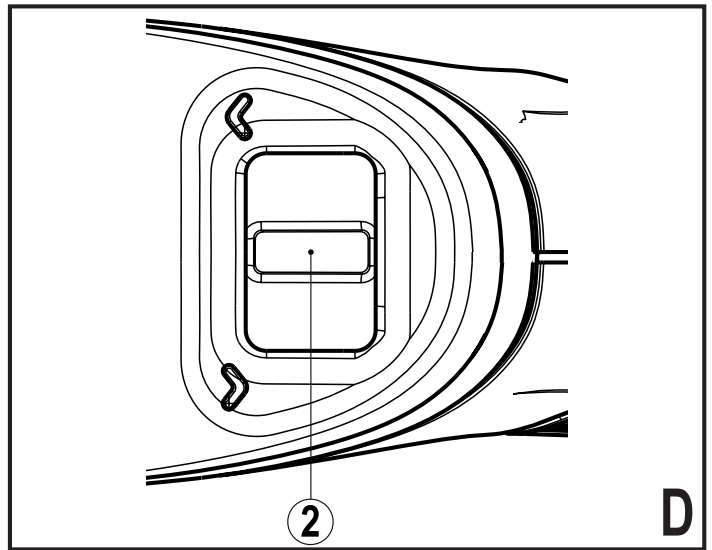
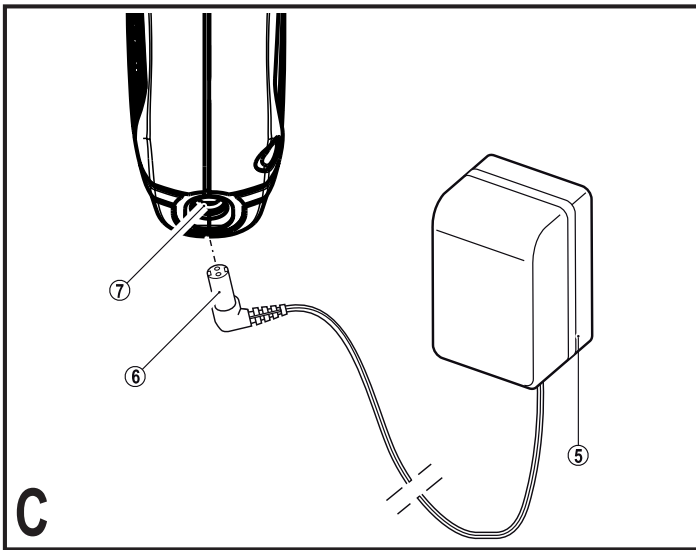
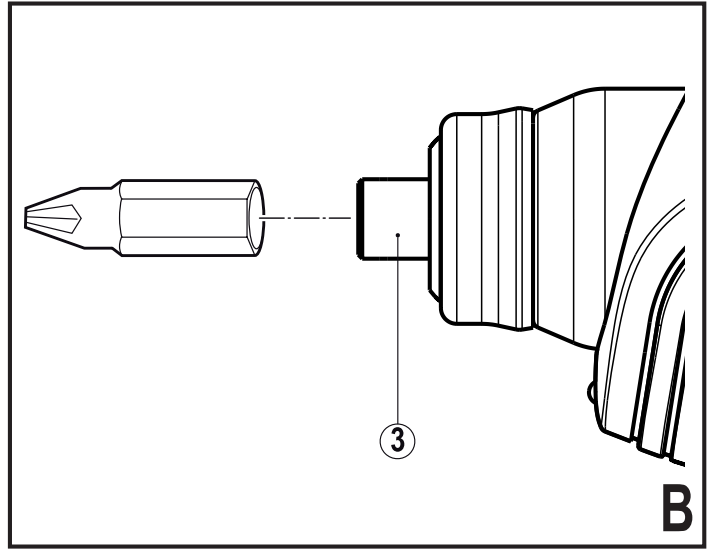
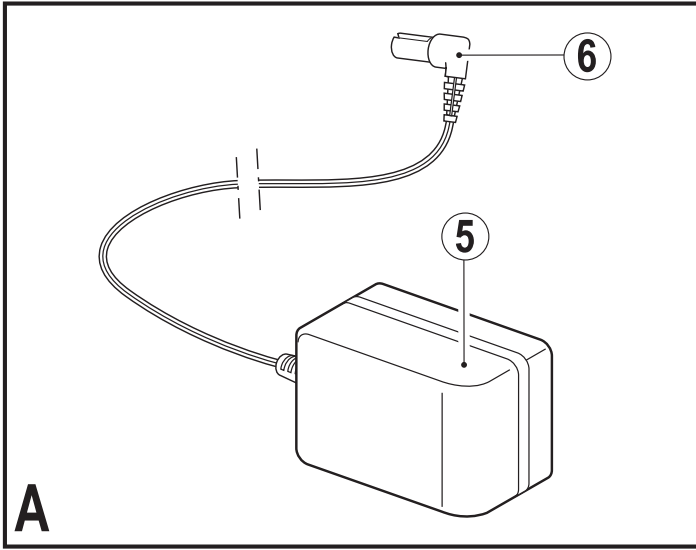
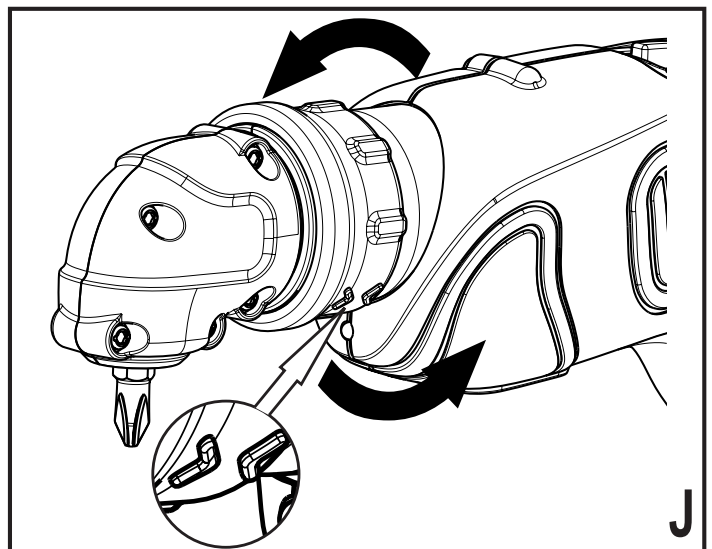
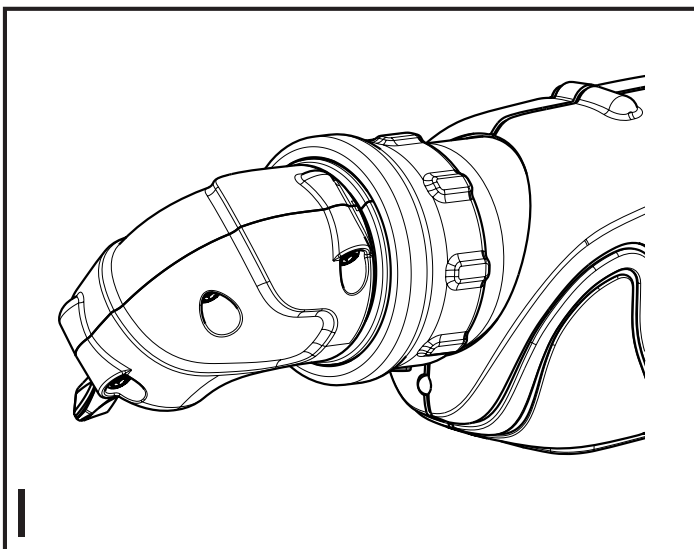
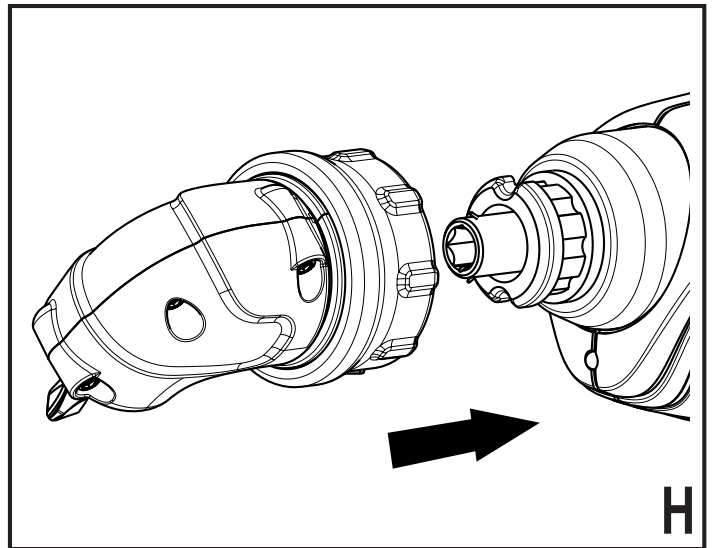
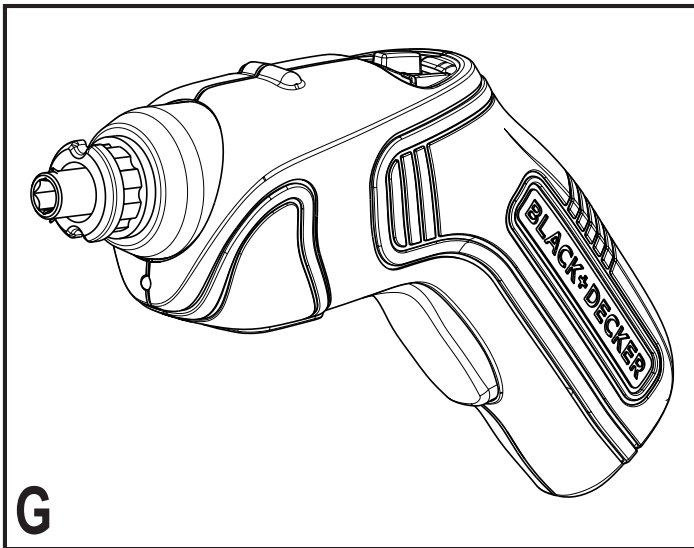
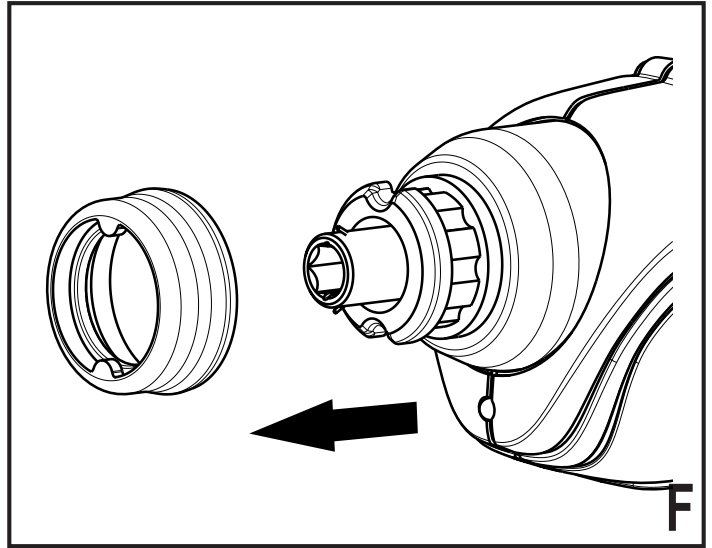
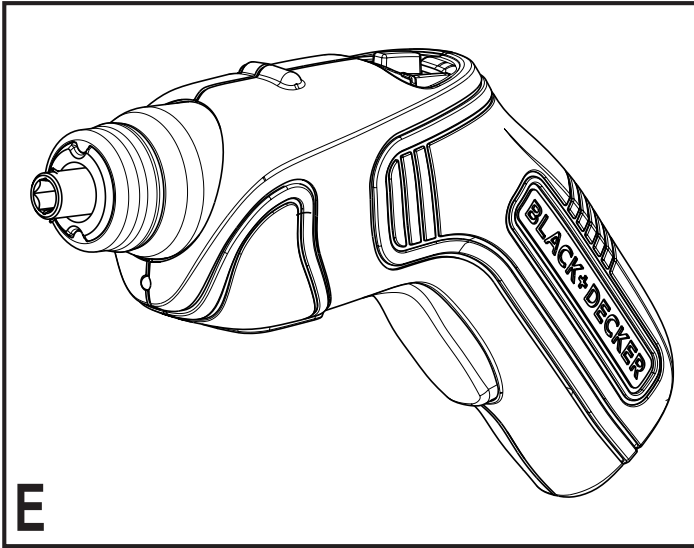


www.blackanddecker.eu

CS3651LC

EN
DE
FR
IT
NL
ES
PT
SV
NO
DK
FI
EL





Intended use

Your BLACK+DECKER screwdriver has been designed for screwdriving applications. This tool is intended for consumer use only.

Safety instructions

General power tool safety warnings



Warning! Read all safety warnings and all instructions. Failure to follow the warnings and instructions listed below may result in electric shock, fire and/or serious injury.

Save all warnings and instructions for future reference. The term "power tool" in all of the warnings listed below refers to your mains operated (corded) power tool or battery operated (cordless) power tool.

1. Work area safety

- a. **Keep work area clean and well lit.** Cluttered or dark areas invite accidents.
- b. **Do not operate power tools in explosive atmospheres, such as in the presence of flammable liquids, gases or dust.** Power tools create sparks which may ignite the dust or fumes.
- c. **Keep children and bystanders away while operating a power tool.** Distractions can cause you to lose control.

2. Electrical safety

- a. **Power tool plugs must match the outlet. Never modify the plug in any way. Do not use any adapter plugs with earthed (grounded) power tools.** Unmodified plugs and matching outlets will reduce risk of electric shock.
- b. **Avoid body contact with earthed or grounded surfaces such as pipes, radiators, ranges and refrigerators.** There is an increased risk of electric shock if your body is earthed or grounded.
- c. **Do not expose power tools to rain or wet conditions.** Water entering a power tool will increase the risk of electric shock.

- d. **Do not abuse the cord. Never use the cord for carrying, pulling or unplugging the power tool. Keep cord away from heat, oil, sharp edges or moving parts.** Damaged or entangled cords increase the risk of electric shock.
- e. **When operating a power tool outdoors, use an extension cord suitable for outdoor use.** Use of a cord suitable for outdoor use reduces the risk of electric shock.
- f. **If operating a power tool in a damp location is unavoidable, use a residual current device (RCD) protected supply.** Use of an RCD reduces the risk of electric shock.

3. Personal safety

- a. **Stay alert, watch what you are doing and use common sense when operating a power tool. Do not use a power tool while you are tired or under the influence of drugs, alcohol or medication.** A moment of inattention while operating power tools may result in serious personal injury.
- b. **Use personal protective equipment. Always wear eye protection.** Protective equipment such as dust mask, non-skid safety shoes, hard hat, or hearing protection used for appropriate conditions will reduce personal injuries.
- c. **Prevent unintentional starting. Ensure the switch is in the off-position before connecting to power source and/or battery pack, picking up or carrying the tool.** Carrying power tools with your finger on the switch or energising power tools that have the switch on invites accidents.
- d. **Remove any adjusting key or wrench before turning the power tool on.** A wrench or a key left attached to a rotating part of the power tool may result in personal injury.
- e. **Do not overreach. Keep proper footing and balance at all times.** This enables better control of the power tool in unexpected situations.
- f. **Dress properly. Do not wear loose clothing or jewellery. Keep your hair, clothing and gloves away from moving parts.** Loose clothes, jewellery or long hair can be caught in moving parts.

- g. If devices are provided for the connection of dust extraction and collection facilities, ensure these are connected and properly used.** Use of dust collection can reduce dust-related hazards.
- 4. Power tool use and care**
- a. Do not force the power tool. Use the correct power tool for your application.** The correct power tool will do the job better and safer at the rate for which it was designed.
- b. Do not use the power tool if the switch does not turn it on and off.** Any power tool that cannot be controlled with the switch is dangerous and must be repaired.
- c. Disconnect the plug from the power source and/or the battery pack from the power tool before making any adjustments, changing accessories, or storing power tools.** Such preventive safety measures reduce the risk of starting the power tool accidentally.
- d. Store idle power tools out of the reach of children and do not allow persons unfamiliar with the power tool or these instructions to operate the power tool.** Power tools are dangerous in the hands of untrained users.
- e. Maintain power tools. Check for misalignment or binding of moving parts, breakage of parts and any other condition that may affect the power tools operation. If damaged, have the power tool repaired before use.** Many accidents are caused by poorly maintained power tools.
- f. Keep cutting tools sharp and clean.** Properly maintained cutting tools with sharp cutting edges are less likely to bind and are easier to control.
- g. Use the power tool, accessories and tool bits etc. in accordance with these instructions, taking into account the working conditions and the work to be performed.** Use of the power tool for operations different from those intended could result in a hazardous situation.
- 5. Battery tool use and care**
- a. Recharge only with the charger specified by the manufacturer.** A charger that is suitable for one type of battery pack may create a risk of fire when used with another battery pack.
- b. Use power tools only with specifically designated battery packs.** Use of any other battery packs may create a risk of injury and fire.
- c. When battery pack is not in use, keep it away from other metal objects, like paper clips, coins, keys, nails, screws, or other small metal objects, that can make a connection from one terminal to another.** Shorting the battery terminals together may cause burns or a fire.
- d. Under abusive conditions, liquid may be ejected from the battery; avoid contact. If contact accidentally occurs, flush with water. If liquid contacts eyes, additionally seek medical help.** Liquid ejected from the battery may cause irritation or burns.
- 6. Service**
- a. Have your power tool serviced by a qualified repair person using only identical replacement parts.** This will ensure that the safety of the power tool is maintained.

Additional power tool safety warnings



Warning! Additional safety warnings for screwdrivers and impact wrenches

- ◆ **Wear ear protectors with impact drills.** Exposure to noise can cause hearing loss.
- ◆ **Use auxiliary handles supplied with the tool.** Loss of control can cause personal injury.
- ◆ **Hold power tool by insulated gripping surfaces, when performing an operation where the fastener may contact hidden wiring.** Fasteners contacting a "live" wire may make exposed metal parts of the power tool "live" and could give the operator an electric shock.

- ◆ **Use clamps or another practical way to secure and support the workpiece to a stable platform.** Holding the work by hand or against your body leaves it unstable and may lead to loss of control.
- ◆ The intended use is described in this instruction manual. The use of any accessory or attachment or performance of any operation with this tool other than those recommended in this instruction manual may present a risk of personal injury and/or damage to property.



Warning! Impact wrenches are not torque wrenches. Do not use this tool for tightening fasteners to specified torques. An independent, calibrated torque measurement device such as a torque wrench should be used when under tightened or over tightened fasteners can lead to the failure of the joint.

Safety of others

- ◆ This appliance is not intended for use by persons (including children) with reduced physical, sensory or mental capabilities, or lack of experience and knowledge, unless they have been given supervision or instruction concerning use of the appliance by a person responsible for their safety.
- ◆ Children should be supervised to ensure that they do not play with the appliance.

Residual risks.

Additional residual risks may arise when using the tool which may not be included in the enclosed safety warnings. These risks can arise from misuse, prolonged use etc.

Even with the application of the relevant safety regulations and the implementation of safety devices, certain residual risks can not be avoided. These include:

- ◆ Injuries caused by touching any rotating/moving parts.
- ◆ Injuries caused when changing any parts, blades or accessories.
- ◆ Injuries caused by prolonged use of a tool. When using any tool for prolonged periods ensure you take regular breaks.

- ◆ Impairment of hearing.
- ◆ Health hazards caused by breathing dust developed when using your tool (example:- working with wood, especially oak, beech and MDF.)

Vibration

The declared vibration emission values stated in the technical data and the declaration of conformity have been measured in accordance with a standard test method provided by EN 60745 and may be used for comparing one tool with another. The declared vibration emission value may also be used in a preliminary assessment of exposure.

Warning! The vibration emission value during actual use of the power tool can differ from the declared value depending on the ways in which the tool is used. The vibration level may increase above the level stated.

When assessing vibration exposure to determine safety measures required by 2002/44/EC to protect persons regularly using power tools in employment, an estimation of vibration exposure should consider, the actual conditions of use and the way the tool is used, including taking account of all parts of the operating cycle such as the times when the tool is switched off and when it is running idle in addition to the trigger time.

Labels on tool

The following symbols are shown on the tool:

Warning! To reduce the risk of injury, the user must read the instruction manual.



Additional safety instructions for batteries and chargers

Batteries

- ◆ Never attempt to open for any reason.
- ◆ Do not expose the battery to water.
- ◆ Do not store in locations where the temperature may exceed 40 °C.

- ◆ Charge only at ambient temperatures between 10 °C and 40 °C.
- ◆ Charge only using the charger provided with the tool.
- ◆ When disposing of batteries, follow the instructions given in the section "Protecting the environment".

Chargers

- ◆ Use your BLACK+DECKER charger only to charge the battery in the tool with which it was supplied. Other batteries could burst, causing personal injury and damage.
- ◆ Never attempt to charge non-rechargeable batteries.
- ◆ Have defective cords replaced immediately.
- ◆ Do not expose the charger to water.
- ◆ Do not open the charger.
- ◆ Do not probe the charger.



The charger is intended for indoor use only.



Read the instruction manual before use.



Fail safe isolating transformer. The mains supply is electrically separated from the transformer output.



The charger automatically shuts off if the ambient temperature becomes too high. As a consequence the charger will be inoperable. The unit must be disconnected from the mains supply and taken to an authorised service centre for repair.

Electrical safety



Your charger is double insulated; therefore no earth wire is required. Always check that the mains voltage corresponds to the voltage on the rating plate. Never attempt to replace the charger unit with a regular mains plug.

- ◆ If the supply cord is damaged, it must be replaced by the manufacturer or an authorised BLACK+DECKER Service Centre in order to avoid a hazard.

Warning! Never attempt to replace the charger unit with a regular mains plug.

Features

This tool includes some or all of the following features.

1. On/off switch
2. Forward/reverse slider
3. Bit holder
4. LED work light
5. Charger
6. Charger plug
7. Charging connector

Assembly

Fitting and removing a drill bit or a screwdriver bit (fig. B)

This tool uses screwdriver bits and drill bits with a 6.35 mm (1/4") hexagonal shank.

- ◆ To fit a bit, insert the bit shaft into the bit holder (3).
- ◆ To remove a bit, pull the bit shaft out of the bit holder (3).

Note: The right angled attachment shown in fig. E-J may not be included with your tool.

Use

Warning! Let the tool work at its own pace. Do not overload.

- ◆ Before first use, the battery must be charged for at least 15 hours.

Charging the battery (fig. C)

- ◆ Insert the charger plug (6) into the charger connector (7).
- ◆ Plug in the charger (5).
- ◆ Leave the tool connected to the charger for 15 hours.

The charger may hum and become warm while charging; this is normal and does not indicate a problem.

Warning! Only use the charger provided to charge CS3651LC.

Warning! Do not charge the battery at ambient temperatures below 10 °C or above 40 °C.

Selecting the direction of rotation (fig. D)

For drilling and for tightening screws, use forward rotation. For loosening screws or removing a jammed drill bit, use reverse rotation.

- ◆ To select forward rotation, push the forward/reverse slider (2) to the forward position.
- ◆ To select reverse rotation, push the forward/reverse slider (2) to the rearward position.
- ◆ To lock the tool, set the forward/reverse slider into the centre position.

Drilling/screwdriving

- ◆ Select forward or reverse rotation using the forward/reverse slider (2).
- ◆ To switch the tool on, press the on/off switch (1).
- ◆ To switch the tool off, release the on/off switch (1).

LED work light

The LED work light (4) is activated automatically when the trigger is depressed. The LED will also illuminate when the trigger is depressed and the forward/reverse slider (2) is in the locked off position (central position).

Hints for optimum use

Screwdriving

- ◆ Always use the correct type and size of screwdriver bit.
- ◆ If screws are difficult to tighten, try applying a small amount of washing liquid or soap as a lubricant.
- ◆ Use the spindle lock to loosen very tight screws or to firmly tighten screws.
- ◆ Always hold the tool and screwdriver bit in a straight line with the screw.

- ◆ When screwing in wood, it is recommended to drill a pilot hole with a depth equal to the length of the screw. A pilot hole guides the screw and prevents splintering or distortion of the wood. For the optimum size of the pilot hole, refer to the table below.
- ◆ When screwing in hardwood, also drill a clearance hole with a depth equal to half the length of the screw. For the optimum size of the clearance hole, refer to the table below.

Screw size	Pilot hole ø (softwood)	Pilot hole ø (hardwood)	Clearance hole
No. 6 (3.5 mm)	2.0 mm	2.5 mm	3.6 mm
No. 8 (4 mm)	2.5 mm	3.0 mm	4.5 mm
No. 10 (5 mm)	3.0 mm	3.5 mm	5.0 mm

Drilling pilot holes

- ◆ Always apply a light pressure in a straight line with the drill bit.
- ◆ Just before the drill tip breaks through the other side of the workpiece, decrease pressure on the tool.
- ◆ Use a block of wood to back up workpieces that may splinter.
- ◆ Make an indentation using a centre punch at the centre of the hole to be drilled in order to improve accuracy.

Accessories

The performance of your tool depends on the accessory used. BLACK+DECKER and Piranha accessories are engineered to high quality standards and designed to enhance the performance of your tool. By using these accessories you will get the very best from your tool. This tool uses screwdriver bits with a 1/4" (6.35 mm) hexagonal shank. Piranha Super-lok accessories are designed for use with this tool.

Maintenance

Your BLACK+DECKER tool has been designed to operate over a long period of time with a minimum of maintenance. Continuous satisfactory operation depends upon proper tool care and regular cleaning.

Your charger does not require any maintenance apart from regular cleaning.

Warning! Before performing any maintenance on the tool, unplug the charger before cleaning it.

- ◆ Regularly clean the ventilation slots in your tool and charger using a soft brush or dry cloth.
- ◆ Regularly clean the motor housing using a damp cloth. Do not use any abrasive or solvent-based cleaner.
- ◆ Regularly open the chuck and tap it to remove any dust from the interior.

Protecting the environment



Separate collection. This product must not be disposed of with normal household waste.

Should you find one day that your BLACK+DECKER product needs replacement, or if it is of no further use to you, do not dispose of it with household waste. Make this product available for separate collection.



Separate collection of used products and packaging allows materials to be recycled and used again.

Re-use of recycled materials helps prevent environmental pollution and reduces the demand for raw materials.

Local regulations may provide for separate collection of electrical products from the household, at municipal waste sites or by the retailer when you purchase a new product.

BLACK+DECKER provides a facility for the collection and recycling of BLACK+DECKER products once they have reached the end of their working life. To take advantage of this service please return your product to any authorised repair agent who will collect them on our behalf.

You can check the location of your nearest authorised repair agent by contacting your local BLACK+DECKER office at the address indicated in this manual. Alternatively, a list of authorised BLACK+DECKER repair agents and full details of our after-sales service and contacts are available on the Internet at: www.2helpU.com

Batteries



There are no user serviceable parts inside.

- ◆ At the end of your products life return the whole unit to your service agent or to a local recycling station to have the battery recycled. Do not throw the unit out with household waste.

Technical data

CS3651LC (H1)		
Voltage	V _{DC}	3.6
No-load speed	min ⁻¹	180
Hard stall torque	Nm	5.84
Max. torque	Nm	5.0
Bit holder	mm	6.35 (1/4")
Weight	kg	0.32

Battery 906146** H1		
Voltage	V	3.6
Battery type		Li-Ion
AHr rating		1.5

Charger 905450** H1		
Voltage	V _{AC}	230
Approx. charge time	h	15
Weight	kg	0.14

Level of sound pressure according to EN 60745:	
Sound pressure (L _{pA})	60 dB(A), uncertainty (K) 3 dB(A)
Sound power (L _{WA})	71 dB(A), uncertainty (K) 3 dB(A)

Vibration total values (triax vector sum) according to EN 60745:	
Screwdriving without impact (a _{h,IS})	0.3 m/s ² , uncertainty (K) 1.5 m/s ²

EC declaration of conformity

MACHINERY DIRECTIVE



CS3651LC

Black & Decker declares that these products described under "technical data" are in compliance with:

2006/42/EC, EN 60745-1, EN 60745-2-2

These products also comply with Directive 2014/30/EU and 2011/65/EU. For more information, please contact Black & Decker at the following address or refer to the

back of the manual.

The undersigned is responsible for compilation of the technical file and makes this declaration on behalf of

Black & Decker.

R. Laverick
 Engineering Manager
 Black & Decker Europe, 210 Bath Road, Slough,
 Berkshire, SL1 3YD
 United Kingdom
 29/10/2014

Guarantee

Black & Decker is confident of the quality of its products and offers an outstanding guarantee. This guarantee statement is in addition to and in no way prejudices your statutory rights. The guarantee is valid within the territories of the Member States of the European Union and the European Free Trade Area.

If a Black & Decker product becomes defective due to faulty materials, workmanship or lack of conformity, within 24 months from the date of purchase, Black & Decker guarantees to replace defective parts, repair products subjected to fair wear and tear or replace such products to ensure minimum inconvenience to the customer unless:

- ◆ The product has been used for trade, professional or hire purposes;
- ◆ The product has been subjected to misuse or neglect;
- ◆ The product has sustained damage through foreign objects, substances or accidents;
- ◆ Repairs have been attempted by persons other than authorised repair agents or Black & Decker service staff.

To claim on the guarantee, you will need to submit proof of purchase to the seller or an authorised repair agent. You can check the location of your nearest authorised repair agent by contacting your local Black & Decker office at the address indicated in this manual. Alternatively, a list of authorised Black & Decker repair agents and full details of our after-sales service and contacts are available on the Internet at: www.2helpU.com

Please visit our website www.blackanddecker.co.uk to register your new BLACK+DECKER product and to be kept up to date on new products and special offers. Further information on the BLACK+DECKER brand and our range of products is available at www.blackanddecker.co.uk

Bestimmungsgemäße Verwendung

Ihr BLACK+DECKER Akkuschauber wurde für Schraubarbeiten entwickelt. Dieses Gerät ist nicht für den gewerblichen Einsatz vorgesehen.

Sicherheitshinweise

Allgemeine Sicherheitswarnungen für das Gerät



Achtung! Lesen Sie sämtliche Sicherheitswarnungen und Anweisungen. Die Nichteinhaltung der nachstehend aufgeführten Warnungen und Anweisungen kann einen elektrischen Schlag, Brand und/oder schwere Verletzungen verursachen.

Bewahren Sie alle Sicherheitswarnungen und Anweisungen gut auf. Der nachfolgend verwendete Begriff "Gerät" bezieht sich auf netzbetriebene Geräte (mit Netzkabel) und auf akkubetriebene Geräte (ohne Netzkabel).

1. Sicherheit im Arbeitsbereich

- a: **Sorgen Sie für einen sauberen und gut ausgeleuchteten Arbeitsbereich.** Unordnung oder dunkle Arbeitsbereiche können zu Unfällen führen.
- b: **Verwenden Sie die Geräte nicht in Umgebungen, in denen Explosionsgefahr, z. B. aufgrund von brennbaren Flüssigkeiten, Gasen oder Staub, besteht.** Geräte erzeugen Funken, die den Staub oder die Dämpfe entzünden können.
- c: **Halten Sie Kinder und andere Personen während der Benutzung eines Geräts fern.** Bei Ablenkung können Sie die Kontrolle verlieren.

2. Elektrische Sicherheit

- a: **Der Netzstecker des Geräts muss in die Steckdose passen. Der Stecker darf in keiner Weise verändert werden. Verwenden Sie für schutzgeerdete Geräte keine Adapterstecker.** Unveränderte Stecker und passende Steckdosen verringern das Risiko eines elektrischen Schlags.

- b: **Vermeiden Sie Körperkontakt mit geerdeten Oberflächen von Rohren, Heizungen, Herden und Kühlschränken.** Wenn Ihr Körper geerdet ist, besteht ein erhöhtes Risiko eines elektrischen Schlags.
 - c: **Halten Sie Geräte von Regen und Feuchtigkeit fern.** Das Eindringen von Wasser in ein Gerät erhöht das Risiko eines elektrischen Schlags.
 - d: **Verwenden Sie das Kabel ordnungsgemäß. Verwenden Sie es niemals zum Tragen. Trennen Sie das Gerät nicht durch Ziehen am Kabel vom Netz. Halten Sie das Kabel fern von Hitze, Öl, scharfen Kanten oder sich bewegenden Teilen.** Beschädigte oder verwickelte Kabel erhöhen das Risiko eines elektrischen Schlags.
 - e: **Verwenden Sie für Arbeiten im Freien nur für den Außenbereich zugelassene Verlängerungskabel.** Die Verwendung eines für den Außenbereich geeigneten Verlängerungskabels verringert das Risiko eines elektrischen Schlags.
 - f: **Wenn das Gerät in einer feuchten Umgebung verwendet werden muss, schließen Sie es unbedingt an eine Steckdose mit Fehlerstromschutzschalter (RCD) an.** Die Verwendung eines Fehlerstromschutzschalters verringert das Risiko eines elektrischen Schlags.
- #### 3. Persönliche Sicherheit
- a: **Verwenden Sie das Gerät aufmerksam und vernünftig. Benutzen Sie das Gerät nicht, wenn Sie müde sind oder unter dem Einfluss von Drogen, Alkohol oder Medikamenten stehen.** Ein Moment der Unachtsamkeit beim Gebrauch von Geräten kann zu ernsthaften Verletzungen führen.
 - b: **Verwenden Sie eine geeignete Schutzausrüstung. Tragen Sie stets einen Augenschutz.** Schutzausrüstung wie Staubmaske, rutschfeste Sicherheitsschuhe, Schutzhelm oder Gehörschutz, je nach Art und Einsatz des Geräts, verringert das Risiko von Verletzungen.

- c: Vermeiden Sie eine unbeabsichtigte Inbetriebnahme. Vergewissern Sie sich, dass das Gerät ausgeschaltet ist, bevor Sie es an eine Steckdose oder einen Akku anschließen, es hochheben oder tragen.** Durch das Tragen des Geräts mit dem Finger am Schalter oder durch das Anschließen eingeschalteter Geräte werden Unfälle provoziert.
- d: Entfernen Sie Einstell- oder Schraubenschlüssel, bevor Sie das Gerät einschalten.** Ein Schlüssel, der sich in einem drehenden Teil befindet, kann zu Verletzungen führen.
- e: Beugen Sie sich nicht zu weit nach vorne über. Achten Sie auf einen sicheren Stand, um in jeder Arbeitsposition das Gleichgewicht zu halten.** Dadurch können Sie das Gerät in unerwarteten Situationen besser unter Kontrolle halten.
- f: Tragen Sie geeignete Kleidung. Tragen Sie keine weite Kleidung oder Schmuck. Halten Sie Haare, Kleidung und Handschuhe fern von sich bewegendem Teilen.** Weite Kleidung, Schmuck oder lange Haare können von sich bewegendem Teilen erfasst werden.
- g: Falls Staubabsaug- und -fangvorrichtungen vorhanden sind, vergewissern Sie sich, dass diese angeschlossen sind und richtig verwendet werden.** Das Verwenden einer Staubauffangvorrichtung verringert Gefährdungen durch Staub.
- 4. Gebrauch und Pflege von Geräten**
- a: Überlasten Sie das Gerät nicht. Verwenden Sie das für Ihre Arbeit passende Gerät.** Durch das Arbeiten in dem für das Gerät angegebenen Leistungsbereich erzielen Sie nicht nur optimale Ergebnisse, Sie erhöhen auch die Sicherheit.
- b: Verwenden Sie das Gerät nicht, wenn der Ein-/Ausschalter nicht funktioniert.** Ein Gerät, das sich nicht mehr ein- oder ausschalten lässt, ist gefährlich und muss repariert werden.
- c: Ziehen Sie den Stecker aus der Steckdose, und/oder trennen Sie das Gerät vom Akku, bevor Sie Einstellungen vornehmen, Zubehörteile wechseln oder das Gerät lagern.** Diese Vorsichtsmaßnahme verhindert den unbeabsichtigten Start des Geräts.
- d: Bewahren Sie unbenutzte Geräte außerhalb der Reichweite von Kindern auf. Lassen Sie Geräte nicht von Personen benutzen, die damit nicht vertraut sind oder diese Anweisungen nicht gelesen haben.** Geräte sind gefährlich, wenn Sie von unerfahrenen Personen benutzt werden.
- e: Halten Sie Geräte in einem einwandfreien Zustand. Kontrollieren Sie, ob bewegliche Teile falsch ausgerichtet sind oder klemmen und ob Teile gebrochen oder so beschädigt sind, dass die Funktion des Geräts beeinträchtigt ist. Lassen Sie beschädigte Geräte vor dem Gebrauch reparieren.** Viele Unfälle haben ihre Ursache in schlecht gewarteten Geräten.
- f: Halten Sie Schneidwerkzeuge scharf und sauber.** Sorgfältig gepflegte Schneidwerkzeuge mit scharfen Schneidkanten verklemmen sich seltener und sind leichter zu führen.
- g: Verwenden Sie Gerät, Zubehör, Einsätze usw. entsprechend diesen Anweisungen, und berücksichtigen Sie dabei die Arbeitsbedingungen und die auszuführende Arbeit.** Der Gebrauch von Geräten für andere als die vorgesehenen Anwendungen kann zu gefährlichen Situationen führen.
- 5. Gebrauch und Pflege von akkubetriebenen Geräten**
- a: Laden Sie den Akku nur mit dem vom Hersteller vorgesehenen Ladegerät auf.** Die Verwendung von Ladegeräten, die für eine andere Art von Akku bestimmt sind, kann dazu führen, dass sich der Akku beim Laden entzündet.
- b: Verwenden Sie nur die für das jeweilige Gerät vorgesehenen Akkus.** Die Verwendung anderer Akkus kann zu Verletzungen oder Bränden führen.

- c: **Bewahren Sie den Akku bei Nichtbenutzung nicht in der Nähe metallischer Objekte wie Büroklammern, Münzen, Schlüsseln, Nägeln oder Schrauben auf, da diese eine Verbindung zwischen beiden Polen des Akkus herstellen können.** Bei einem Kurzschluss der Akkuanschlüsse besteht Verbrennungs- oder Feuergefahr.
- d: **Durch unsachgemäßen Gebrauch können Flüssigkeiten aus dem Akku austreten. Berühren Sie diese nicht! Sollten Sie dennoch unbeabsichtigt mit diesen Flüssigkeiten in Berührung kommen, spülen Sie die betroffenen Stellen sofort mit reichlich Wasser. Suchen Sie sofort einen Arzt auf, wenn die Flüssigkeit in Kontakt mit Ihren Augen gekommen ist.** Flüssigkeiten aus Akkus können Hautreizungen oder Verbrennungen hervorrufen.

6. Service

- a: **Lassen Sie das Gerät nur von qualifiziertem Fachpersonal und nur mit Originalersatzteilen reparieren.** So wird gewährleistet, dass die Sicherheit des Geräts erhalten bleibt.

Zusätzliche Sicherheitswarnungen für das Gerät



Achtung! Zusätzliche Sicherheitshinweise für Akkuschauber und Schlagschrauber:

- ◆ **Tragen Sie bei der Arbeit mit Schlagschraubern einen Gehörschutz.** Ein hoher Geräuschpegel kann Gehörschäden verursachen.
- ◆ **Verwenden Sie die mitgelieferten Zusatzgriffe.** Wenn Sie die Kontrolle über das Gerät verlieren, kann dies zu Verletzungen führen.
- ◆ **Halten Sie das Gerät an den isolierten Griffflächen fest, wenn Sie Arbeiten ausführen, bei denen verdeckte Kabel beschädigt werden könnten.** Der Kontakt mit stromführenden Leitungen kann auch offenliegende Metallteile am Gerät unter Strom setzen und zu einem Stromschlag führen.

- ◆ **Fixieren Sie das Werkstück mit Zwingen oder ähnlichen Hilfsmitteln auf einer stabilen Oberfläche.** Ein Werkstück, das mit der Hand oder gegen den Körper gehalten wird, ist unzureichend befestigt und kann leicht außer Kontrolle geraten.
- ◆ In dieser Anleitung ist die bestimmungsgemäße Verwendung beschrieben. Die Verwendung von Zubehör oder Anbauteilen, die nicht in dieser Anleitung empfohlen sind, sowie die Bedienung des Geräts in Abweichung von den in dieser Anleitung beschriebenen Verfahren kann zu Verletzungen und/oder Sachschäden führen.



Achtung! Schlagschrauber sind keine Drehmomentschrauber. Das Gerät ist nicht dazu geeignet, Verbindungselemente mit einem bestimmten Drehmoment festzuziehen. Ein unabhängiges, kalibriertes Gerät zur Messung des Drehmoments, wie z. B. ein Drehmomentschrauber, sollte verwendet werden, wenn das Verbindungselement durch Unter- oder Überschreiten der Klemmkraft beschädigt werden kann.

Sicherheit anderer Personen

- ◆ Dieses Gerät darf nicht von Personen (einschließlich Kindern) mit eingeschränkten körperlichen, sensorischen oder geistigen Fähigkeiten sowie mangelnder Erfahrung und Kenntnissen bedient werden, es sei denn, sie werden bei der Verwendung des Geräts von einer erfahrenen Person beaufsichtigt oder angeleitet.
- ◆ Kinder müssen beaufsichtigt werden, um sicherzustellen, dass sie nicht mit dem Gerät spielen.

Restrisiken.

Beim Gebrauch dieses Geräts verbleiben zusätzliche Restrisiken, die möglicherweise nicht in den Sicherheitswarnungen genannt werden. Diese Risiken bestehen beispielsweise bei Missbrauch oder längerem Gebrauch. Auch bei der Einhaltung der entsprechenden Sicherheitsvorschriften und der Verwendung aller Sicherheitsgeräte bestehen weiterhin bestimmte Restrisiken. Diese werden im Folgenden aufgeführt:

- ◆ Das Berühren von sich drehenden/bewegenden Teilen kann Verletzungen zur Folge haben.
- ◆ Das Austauschen von Teilen, Messern oder Zubehör kann Verletzungen zur Folge haben.
- ◆ Der längere Gebrauch eines Geräts kann Verletzungen zur Folge haben. Legen Sie bei längerem Gebrauch regelmäßige Pausen ein.
- ◆ Beeinträchtigung des Gehörs.
- ◆ Gesundheitsrisiken durch das Einatmen von Staub beim Gebrauch des Geräts (beispielsweise bei Holzarbeiten, insbesondere Eiche, Buche und Pressspan).

Vibration

Die in den Abschnitten "Technische Daten" und "EU-Konformitätserklärung" angegebenen Werte für die Vibrationsemission wurden mit einer Standard-Prüfmethode nach EN 60745 ermittelt und können zum Vergleich verschiedener Geräte herangezogen werden. Außerdem kann mit Hilfe dieses Werts die Belastung bei Verwendung des Geräts schon im Voraus eingeschätzt werden.

Achtung! Die bei Verwendung des Geräts auftretende Vibrationsemission hängt von der Art des Gerätegebrauchs ab und kann dementsprechend von dem angegebenen Wert abweichen. Gegebenenfalls kann die Vibration über dem angegebenen Wert liegen.

Mithilfe der ermittelten Werte der Vibrationsbelastung durch Elektrogeräte lassen sich Sicherheitsmaßnahmen festlegen, die gemäß 2002/44/EG zum Schutz von Personen bestimmt sind, die diese Geräte regelmäßig bei der Arbeit verwenden. Bei der Einschätzung der Vibrationsbelastung sollten die Gebrauchsumstände und die Art der Verwendung des Geräts sowie alle Schritte des Arbeitszyklus berücksichtigt werden, wozu Ruhe-, Leerlauf- und Startzeiten gehören.

Warnsymbole am Gerät

Am Gerät sind folgende Warnsymbole angebracht:



Achtung! Lesen Sie vor Gebrauch die Anleitung. Andernfalls besteht Verletzungsgefahr.

Zusätzliche Sicherheitshinweise für Akkus und Ladegeräte

Akkus

- ◆ Auf keinen Fall öffnen.
- ◆ Achten Sie darauf, dass der Akku nicht mit Wasser in Berührung kommt.
- ◆ Nicht bei Temperaturen über 40 °C lagern.
- ◆ Laden Sie den Akku nur bei Umgebungstemperaturen von 10 °C bis 40 °C.
- ◆ Verwenden Sie ausschließlich das mitgelieferte Ladegerät.
- ◆ Beachten Sie der Entsorgung von Akkus oder Batterien die Hinweise im Abschnitt "Umweltschutz".

Ladegeräte

- ◆ Verwenden Sie das BLACK+DECKER Ladegerät nur für den Akku des Werkzeugs, mit dem es geliefert wurde. Andere Akkus könnten platzen und Sachschäden oder Verletzungen verursachen.
- ◆ Versuchen Sie keinesfalls, nicht aufladbare Batterien zu laden.
- ◆ Lassen Sie beschädigte Kabel sofort austauschen.
- ◆ Achten Sie darauf, dass das Ladegerät nicht mit Wasser in Berührung kommt.
- ◆ Versuchen Sie nicht, das Ladegerät zu öffnen.
- ◆ Nehmen Sie am Ladegerät keine Veränderungen vor.



Das Ladegerät darf nur im Innenbereich verwendet werden.



Lesen Sie vor Gebrauch die Anleitung.



Ausfallsicherer Trenntrafo. Der Trafoausgang ist elektrisch von der Netzstromversorgung getrennt.



Bei extrem hohen Umgebungstemperaturen schaltet sich das Ladegerät automatisch ab. Das Ladegerät lässt sich danach nicht mehr in Betrieb nehmen. Es muss dann von der Netzstromversorgung getrennt und in einer Vertragswerkstatt repariert werden.

Elektrische Sicherheit



Das Ladegerät ist schutzisoliert, daher ist keine Erdleitung erforderlich. Stellen Sie sicher, dass die Netzspannung der auf dem Typenschild des Geräts angegebenen Spannung entspricht. Ersetzen Sie das Ladegerät keinesfalls durch ein normales Netzkabel.

- ◆ Bei einer Beschädigung des Netzkabels muss dieses durch den Hersteller oder eine BLACK+DECKER Vertragswerkstatt ausgetauscht werden, um mögliche Gefahren zu vermeiden.

Achtung! Ersetzen Sie das Ladegerät keinesfalls durch ein normales Netzkabel.

Merkmale

Dieses Gerät verfügt über einige oder alle der folgenden Merkmale:

1. Ein-/Ausschalter
2. Vor-/Zurückwahlschalter
3. Einsatzhalter
4. LED-Leuchte
5. Ladegerät
6. Stecker des Ladegeräts
7. Ladeanschluss

Montage

Einsetzen und Entfernen eines Bohr- oder Schraubendrehereinsatzes (Abb. B)

Für dieses Gerät müssen Bohr- und Schraubendrehereinsätze mit Sechskantschaft (6.35 mm (1/4")) verwendet werden.

- ◆ Um einen Einsatz anzubringen, stecken Sie den Schaft des Einsatzes in den Einsatzhalter (3) ein.

- ◆ Um einen Einsatz zu entfernen, ziehen Sie den Einsatz vollständig aus dem Einsatzhalter (3) heraus.

Hinweis: Das in den Abbildungen E bis J dargestellte rechteckige Zubehör gehört nicht zum Lieferumfang des Geräts.

Gebrauch

Achtung! Beschleunigen Sie den Arbeitsvorgang nicht mit Gewalt. Vermeiden Sie eine Überlastung.

- ◆ Vor der erstmaligen Verwendung des Geräts muss der Akku mindestens 15 Stunden lang aufgeladen werden.

Laden des Akkus (Abb. C)

- ◆ Verbinden Sie den Stecker des Ladegeräts (6) mit dem dafür Ladeanschluss (7).
- ◆ Schließen Sie das Ladegerät (5) an eine Netzsteckdose an.
- ◆ Warten Sie mindestens 15 Stunden, bis der Akku vollständig aufgeladen ist.

Während des Ladevorgangs kann das Ladegerät summen und warm werden. Das ist normal und deutet nicht auf ein Problem hin.

Achtung! Verwenden Sie das mitgelieferte Ladegerät ausschließlich zum Laden von Geräten mit der Seriennummer CS3651LC.

Achtung! Laden Sie den Akku nicht, wenn die Umgebungstemperatur unter 10 °C oder über 40 °C liegt.

Auswählen der Drehrichtung (Abb. D)

Verwenden Sie zum Bohren und Anziehen von Schrauben die Vorwärtsdrehung. Verwenden Sie zum Entfernen von Schrauben und verklemmten Bohreinsätzen die Rückwärtsdrehung.

- ◆ Drücken Sie den Vor-/Zurückwahlschalter (2) in die vordere Stellung, um die Vorwärtsdrehung einzustellen.
- ◆ Drücken Sie den Vor-/Zurückwahlschalter (2) in die hintere Stellung, um die Rückwärtsdrehung einzustellen.
- ◆ Bewegen Sie den Vor-/Zurückwahlschalter in die mittlere Stellung, um das Gerät zu sperren.

Bohren/Schrauben

- ◆ Wählen Sie mithilfe des Vor-/Zurückwahlschalters (2) die Vorwärts- bzw. Rückwärtsdrehung aus.
- ◆ Drücken Sie zum Einschalten des Geräts den Ein-/Ausschalter (1).
- ◆ Lassen Sie zum Ausschalten des Geräts den Ein-/Ausschalter (1) los.

LED-Leuchte

Die LED-Arbeitsleuchte (4) wird beim Drücken des Auslösers automatisch aktiviert. Die LED leuchtet auch auf, wenn der Auslöser gedrückt wird und der Vor-/Zurückwahlschalter (2) sich in der verriegelten (mittleren) Stellung befindet.

Hinweise für optimale Arbeitsergebnisse

Schraubarbeiten

- ◆ Verwenden Sie stets Schraubendrehereinsätze der richtigen Art und Größe.
- ◆ Sollten beim Festziehen von Schrauben Schwierigkeiten auftreten, verwenden Sie etwas Spülmittel oder Seife als Schmiermittel.
- ◆ Machen Sie vom Spindel-Lock Gebrauch, um sehr fest angezogene Schrauben zu lösen oder um Schrauben fest anzuziehen.
- ◆ Halten Sie das Gerät und den Schraubendrehereinsatz stets in gerader Linie zur Schraube.
- ◆ Beim Schrauben in Holz empfiehlt es sich, eine Vorbohrung zu machen, deren Tiefe der Länge der Schraube entspricht. Mit Hilfe der Vorbohrung wird die Schraube gelenkt und etwaiges Splintern oder Verformen des Holzes verhindert. Angaben zur optimalen Größe der Vorbohrung entnehmen Sie bitte der unten stehenden Tabelle.
- ◆ Beim Schrauben in Hartholz sollten Sie vorher ein Führungsloch bohren, dessen Tiefe der Hälfte der Schraubenlänge entsprechen sollte. Angaben zur optimalen Führungslochgröße entnehmen Sie bitte der unten stehenden Tabelle.

Schrauben- größe	Vorbohrung ø (Weichholz)	Vorbohrung ø (Hartholz)	Führungsloch
M 6 (3.5 mm)	2.0 mm	2.5 mm	3.6 mm
M 8 (4 mm)	2.5 mm	3.0 mm	4.5 mm
M 10 (5 mm)	3.0 mm	3.5 mm	5.0 mm

Vorbohren

- ◆ Stets mit leichtem Druck in gerader Linie mit dem Bohreinsatz arbeiten.
- ◆ Verringern Sie den Druck kurz bevor der Bohreinsatz das Werkstück durchbricht.
- ◆ Verwenden Sie einen Holzklötzchen als Unterlage unter Werkstücken, die möglicherweise splintern.
- ◆ Erzeugen Sie mithilfe eines Körners eine Vertiefung in der Mitte des zu bohrenden Lochs, um die Genauigkeit der Bohrung zu erhöhen.

Zubehörteile

Das verwendete Zubehör hat wesentlichen Einfluss auf die Leistung des Geräts. Zubehörteile von BLACK+DECKER und Piranha erfüllen höchste Qualitätsstandards und wurden speziell für die Verwendung mit Ihrem Gerät entwickelt. Bei Verwendung dieses Zubehörs erhalten Sie stets optimale Ergebnisse. Für dieses Gerät müssen Schraubendrehereinsätze mit Sechskantschaft (6.35 mm (1/4")) verwendet werden. Piranha Super-Lok-Zubehör ist speziell für die Verwendung mit diesem Gerät entwickelt worden.

Wartung

Ihr BLACK+DECKER Gerät wurde im Hinblick auf eine lange Lebensdauer und einen möglichst geringen Wartungsaufwand entwickelt. Ein dauerhafter, einwandfreier Betrieb setzt eine regelmäßige Pflege und Reinigung voraus.

Das Ladegerät benötigt keine Wartung, es sollte jedoch regelmäßig gereinigt werden.

Achtung! Entfernen Sie vor jeglichen Wartungsarbeiten am Gerät den Netzstecker des Ladegeräts aus der Steckdose.

- ◆ Reinigen Sie regelmäßig die Lüftungsschlitze des Geräts und des Ladegeräts mit einer weichen Bürste oder einem trockenen Tuch.
- ◆ Reinigen Sie regelmäßig das Motorgehäuse mithilfe eines feuchten Tuchs. Verwenden Sie keine scheuernden Reinigungsmittel oder Reinigungsmittel auf Lösungsmittelbasis.
- ◆ Öffnen Sie regelmäßig das Spannfutter, und entfernen Sie durch Klopfen Staub aus dem Inneren des Geräts.

Umweltschutz



Getrennte Entsorgung. Dieses Produkt darf keinesfalls mit dem Hausmüll entsorgt werden.

Sollten Sie Ihr BLACK+DECKER Produkt eines Tages ersetzen oder nicht mehr benötigen, entsorgen Sie es nicht mit dem Hausmüll. Führen Sie das Produkt einer getrennten Sammlung zu.



Durch die getrennte Sammlung von ausgedienten Produkten und Verpackungsmaterialien können Rohstoffe recycelt und wiederverwendet werden.

Die Wiederverwendung aufbereiteter Materialien trägt zur Vermeidung von Umweltverschmutzung bei und senkt den Rohstoffbedarf.

Die Verordnung zur Abfallentsorgung Ihrer Gemeinde sieht möglicherweise vor, dass Elektrogeräte getrennt vom Hausmüll gesammelt, an der örtlichen Abfallentsorgungseinrichtung abgegeben oder beim Kauf eines neuen Produkts vom Fachhandel zur Entsorgung angenommen werden müssen.

BLACK+DECKER nimmt Ihre ausgedienten BLACK+DECKER Geräte gern zurück und sorgt für eine umweltfreundliche Entsorgung bzw. Wiederverwertung. Um diese Dienstleistung in Anspruch zu nehmen, geben Sie das Gerät bitte bei einer autorisierten Reparaturwerkstatt ab, die für uns die Einsammlung übernimmt.

Die Adresse der zuständigen Niederlassung von BLACK+DECKER steht in dieser Anleitung. Dort teilt man Ihnen gerne die nächstgelegene Vertragswerkstatt mit. Eine Liste der Vertragswerkstätten und aller Kundendienststellen von BLACK+DECKER sowie der zuständigen Ansprechpartner finden Sie auch im Internet unter: www.2helpU.com

Akkus



Im Inneren befinden sich keine zu wartenden Teile.

- ◆ Geben Sie defekte Produkte beim Händler oder einer Sammelstelle ab, damit der Akku recycelt werden kann. Entsorgen Sie das Gerät keinesfalls mit dem Hausmüll.

Technische Daten

CS351LC (H1)		
Spannung	V_{DC}	3.6
Leerlaufdrehzahl	min^{-1}	180
Kippmoment	Nm	5.84
Max. Drehmoment	Nm	5.0
Einsatzhalter	mm	6.35 (1/4")
Gewicht	kg	0.32

Batterie 906146** H1		
Spannung	V	3.6
Akkutyp	Lithium-Ionen	
Ah (Nennwert)	1.5	

Ladegerät 905450** H1		
Spannung	V_{AC}	230
Ungefähre Ladezeit	Std.	15
Gewicht	kg	0.14

Schalldruckpegel gemäß EN 60745:
Schalldruck (L_{pA}) 60 dB(A), Unsicherheitsfaktor (K) 3 dB(A)
Schallleistung (L_{WA}) 71 dB(A), Unsicherheitsfaktor (K) 3 dB(A)

Gesamtvibration (Triax-Vektorsumme) gemäß EN 60745:
Schrauben ohne Schlagbohrfunktion ($a_{h, IS}$) 0.3 m/s^2 , Unsicherheitsfaktor (K) 1.5 m/s^2

EG-Konformitätserklärung

MASCHINENRICHTLINIE



CS3651LC

Black & Decker erklärt, dass die in den technischen Daten beschriebenen Geräte übereinstimmen mit:

2006/42/EG, EN 60745-1, EN 60745-2-2

Diese Produkte entsprechen außerdem den Richtlinien 2014/30/EU und 2011/65/EU. Weitere Informationen erhalten Sie von Black & Decker unter der folgenden Adresse. Diese befindet sich auch auf der Rückseite dieser Anleitung.

Der Unterzeichnete ist verantwortlich für die Zusammenstellung der technischen Daten und gibt diese Erklärung im Namen von Black & Decker ab.

R. Laverick
Engineering Manager
Black & Decker Europe, 210 Bath Road, Slough,
Berkshire, SL1 3YD
Großbritannien
23/10/2014

Garantie

Black & Decker vertraut auf die Qualität der eigenen Geräte und bietet dem Käufer eine außergewöhnliche Garantie. Diese Garantiezusage versteht sich unbeschadet der gesetzlichen Gewährleistungsansprüche und schränkt diese keinesfalls ein. Sie gilt in sämtlichen Mitgliedstaaten der Europäischen Union und der Europäischen Freihandelszone EFTA.

Tritt innerhalb von 24 Monaten ab Kaufdatum an einem Gerät von Black & Decker ein auf Material- oder Verarbeitungsfehler zurückzuführender Mangel auf, garantiert Black & Decker den Austausch defekter Teile, die Reparatur von Geräten mit üblichem Verschleiß bzw. den Austausch eines mangelhaften Gerätes, ohne den Kunden dabei mehr als unbedingt nötig in Anspruch zu nehmen, allerdings vorbehaltlich folgender Ausnahmen:

- ◆ wenn das Gerät gewerblich, beruflich oder im Verleihgeschäft benutzt wurde;
- ◆ wenn das Gerät missbräuchlich verwendet oder mit mangelnder Sorgfalt behandelt wurde;
- ◆ wenn das Gerät durch irgendwelche Fremdeinwirkung beschädigt wurde;
- ◆ wenn ein unbefugter Reparaturversuch durch anderes Personal als das einer Vertragswerkstatt oder des Black & Decker Kundendienstes unternommen wurde.

Zur Inanspruchnahme dieser Garantie ist dem Verkäufer bzw. der Vertragswerkstatt ein Kaufnachweis vorzulegen. Die Adresse der zuständigen Niederlassung von Black & Decker steht in dieser Anleitung. Dort teilt man Ihnen gerne die nächstgelegene Vertragswerkstatt mit. Eine Liste der Vertragswerkstätten und aller Kundendienststellen von Black & Decker sowie der zuständigen Ansprechpartner finden Sie auch im Internet unter: www.2helpU.com

Bitte besuchen Sie unsere Webseite www.blackanddecker.de, um Ihr neues BLACK+DECKER Produkt zu registrieren und über neue Produkte und Sonderangebote informiert zu werden. Weitere Informationen über die Marke BLACK+DECKER und unsere Produkte finden Sie unter www.blackanddecker.de.

Usage prévu

Votre tournevis BLACK+DECKER a été spécialement conçu pour les travaux de vissage. Cet outil est destiné à une utilisation exclusivement domestique.

Consignes de sécurité

Consignes de sécurité concernant les outils électroportatifs



Attention ! Lisez avec attention tous les avertissements et toutes les instructions. Le non-respect de cette consigne peut entraîner une électrocution, un incendie et/ou de graves blessures.

Conservez tous les avertissements et instructions pour référence ultérieure. La notion d'« outil électroportatif » mentionnée par la suite se rapporte à des outils électriques raccordés au secteur (avec câble de raccordement) ou fonctionnant avec piles (sans fil).

1. Sécurité de la zone de travail

- a. **Maintenez la zone de travail propre et bien éclairée.** Un lieu de travail en désordre ou mal éclairé augmente le risque d'accidents.
- b. **N'utilisez pas les outils électroportatifs dans un environnement présentant des risques d'explosion ni en présence de liquides, gaz ou poussières inflammables.** Les outils électroportatifs génèrent des étincelles risquant d'enflammer les poussières ou les vapeurs.
- c. **Tenez les enfants et autres personnes éloignés durant l'utilisation de l'outil électroportatif.** En cas d'inattention, vous risquez de perdre le contrôle.

2. Sécurité électrique

- a. **La prise de l'outil électroportatif doit être compatible avec la prise d'alimentation. Ne modifiez en aucun cas la prise. N'utilisez pas de prises d'adaptateur avec des appareils ayant une prise de terre.** Le respect de ces consignes réduit le risque de choc électrique.

- b. **Évitez le contact physique avec des surfaces mises à la terre telles que tuyaux, radiateurs, fours et réfrigérateurs.** Il y a un risque élevé de choc électrique si votre corps est relié à la terre.
 - c. **N'exposez pas l'outil électroportatif à la pluie ou à l'humidité.** La pénétration d'eau dans un outil électroportatif augmente le risque de choc électrique.
 - d. **Préservez le câble d'alimentation. N'utilisez pas le câble pour porter l'outil. Ne le tirez pas pour le débrancher. Maintenez le câble éloigné des sources de chaleurs, des parties huilées, des bords tranchants ou des parties de l'appareil en rotation.** Le risque de choc électrique augmente si les câbles sont endommagés ou emmêlés.
 - e. **Si vous utilisez l'outil électroportatif à l'extérieur, utilisez une rallonge homologuée pour une utilisation à l'extérieur.** L'utilisation d'une rallonge électrique homologuée pour les travaux à l'extérieur réduit le risque de choc électrique.
 - f. **Si l'outil doit être utilisé dans un endroit humide, prenez les précautions nécessaires en utilisant un dispositif à courant résiduel (RCD).** L'utilisation d'un tel dispositif réduit les risques d'électrocution.
- #### 3. Sécurité personnelle
- a. **Restez vigilant, surveillez ce que vous faites. Faites preuve de bon sens quand vous utilisez un outil électroportatif. N'utilisez pas l'outil lorsque vous êtes fatigué ou après avoir consommé de l'alcool ainsi que des médicaments.** Un moment d'inattention lors de l'utilisation de l'outil peut entraîner de graves blessures.
 - b. **Portez un équipement de protection. Portez toujours des lunettes de protection.** Selon le travail à effectuer, le port d'équipement de protection tels que masque anti-poussières, chaussures de sécurité antidérapantes, casque ou protection auditive, réduit le risque de blessures.

- c. **Évitez un démarrage imprévu. L'outil doit être en position OFF (arrêt) avant d'effectuer le branchement à l'alimentation et/ou au bloc-batterie, de le ramasser ou de le porter.** Ne laissez pas votre doigt sur le bouton de commande en le transportant. N'alimentez pas l'outil si le bouton est activé. Ceci pourrait être à l'origine d'accident.
- d. **Enlevez tout outil ou clé de réglage avant de mettre l'appareil en marche.** Une clé ou un outil se trouvant sur une pièce en rotation peut causer des blessures.
- e. **Adoptez une position confortable. Adoptez une position stable et gardez votre équilibre en permanence.** Vous contrôlerez mieux l'outil dans des situations inattendues.
- f. **Portez des vêtements appropriés. Ne portez pas de vêtements amples ou de bijoux. N'approchez pas les cheveux, vêtements ou gants des parties des pièces mobiles.** Les vêtements amples, les bijoux ou les cheveux longs peuvent s'accrocher dans les pièces en mouvement.
- g. **En cas d'utilisation d'appareils servant à aspirer ou à recueillir les poussières, assurez-vous qu'ils sont correctement raccordés et utilisés.** L'utilisation de tels appareils réduit les dangers dus aux poussières.
4. **Utilisation des outils électroportatifs et précautions**
- a. **Respectez la capacité de l'outil. Utilisez l'outil électroportatif correspondant au travail à effectuer.** Avec un outil approprié, vous travaillerez mieux et en toute sécurité.
- b. **N'utilisez pas un outil électroportatif dont l'interrupteur est défectueux.** Un outil électrique qui ne répond pas à la commande marche/arrêt est dangereux et doit être réparé.
- c. **Retirez la prise de courant et/ou débranchez le bloc-batterie avant d'effectuer des réglages, de changer les accessoires ou de ranger l'outil.** Cette mesure de précaution empêche de mettre l'outil en marche accidentellement.
- d. **Rangez les outils électroportatifs hors de portée des enfants. Les personnes ne connaissant pas l'outil ou n'ayant pas lu ces instructions ne doivent en aucun cas l'utiliser.** Les outils électroportatifs sont dangereux lorsqu'ils sont utilisés par des personnes non initiées.
- e. **Entretenez les outils électroportatifs. Vérifiez que les parties mobiles fonctionnent correctement et qu'elles ne sont pas coincées. Vérifiez qu'il n'y a pas de pièces cassées ou endommagées susceptibles de nuire au bon fonctionnement de l'outil. S'il est endommagé, faites réparer l'outil avant de l'utiliser.** De nombreux accidents sont dus à des outils électroportatifs mal entretenus.
- f. **Maintenez les outils de coupe aiguisés et propres.** Des outils soigneusement entretenus avec des bords tranchants bien aiguisés se coincent moins souvent et peuvent être guidés plus facilement.
- g. **Utilisez les outils électroportatifs, les accessoires, etc., en suivant ces instructions et en tenant compte des conditions de travail, ainsi que du travail à effectuer.** L'utilisation des outils électroportatifs à d'autres fins que celles prévues peut vous mettre en situation dangereuse.
5. **Utilisation de la batterie et précautions**
- a. **Ne rechargez qu'avec le chargeur proposé par le fabricant.** Un chargeur destiné à un type de bloc-batteries risque de provoquer des incendies s'il est utilisé avec un bloc-batteries différent.
- b. **N'utilisez les appareils électroportatifs qu'avec le bloc-batterie approprié.** L'utilisation d'un autre bloc-batteries peut provoquer des blessures ou être à l'origine d'un feu.
- c. **Quand le bloc-batterie n'est pas utilisé, éloignez-le d'objets en métal comme des agrafes, des pièces, des clés, des clous, des vis ou autres petits objets qui pourraient établir une connexion d'une borne à l'autre.** Un tel court-circuit peut être à l'origine d'un feu ou de brûlures.

- d. **En cas d'utilisation excessive, le liquide peut sortir de la batterie ; évitez tout contact. Si vous n'avez pu éviter le contact, rincez à l'eau. En cas de contact avec les yeux, consultez un médecin.** Le liquide sortant des batteries peut causer des irritations ou des brûlures.

6. Réparations

- a. **Faites réparer votre outil électroportatif uniquement par du personnel qualifié et seulement avec des pièces de rechange appropriées.** Cela garantira le maintien de la sécurité de votre outil.

Consignes de sécurité supplémentaires concernant les outils électroportatifs



Attention ! Prendre encore plus de précautions avec les tournevis sans fil et les clés à chocs

- ◆ **Portez un serre-tête antibruit si vous utilisez une perceuse à percussion.** L'exposition au bruit peut entraîner la perte de l'ouïe.
- ◆ **Utilisez les poignées auxiliaires livrées avec l'outil.** La perte de contrôle peut entraîner des blessures.
- ◆ **Tenez l'outil électrique au niveau des surfaces de prise isolées lorsque vous l'utilisez à des endroits où la fixation pourrait entrer en contact avec des fils cachés..** En touchant un fil sous tension, la charge électrique passe dans les parties métalliques de l'outil électroportatif et il y a risque de choc électrique.
- ◆ **Utilisez des pinces ou autres pour fixer et soutenir la pièce de manière stable.** Si vous la tenez à la main ou contre votre corps, elle ne sera pas stable et vous pourriez en perdre le contrôle.
- ◆ L'usage prévu de l'outil est décrit dans le présent manuel d'instructions. L'utilisation d'un accessoire ou d'une fixation, ou bien l'utilisation de cet outil à d'autres fins que celles recommandées dans ce manuel d'instructions peut entraîner des blessures corporelles et/ou des dommages matériels.



Attention ! Les clés à chocs ne sont pas des clés dynamométriques. N'utilisez pas cet outil pour serrer les fixations à un couple précis. Un autre appareil, tel qu'une clé dynamométrique doit être utilisé si le serrage des fixations n'est pas satisfaisant et risque d'endommager le joint.

Sécurité des personnes

- ◆ Cet appareil ne doit pas être utilisé par des personnes (y compris les enfants) ayant des déficiences physiques, mentales ou sensorielles. Cette consigne s'applique aussi aux personnes manquant d'expérience et de connaissance du matériel, à moins que celles-ci n'aient reçu les instructions appropriées ou qu'elles ne soient encadrées par une personne responsable de leur sécurité pour utiliser l'appareil.
- ◆ Ne laissez jamais les enfants sans surveillance pour éviter qu'ils ne jouent avec cet outil.

Risques résiduels.

L'utilisation d'un outil non mentionné dans les consignes de sécurité données peut entraîner des risques résiduels supplémentaires. Ces risques peuvent survenir si l'appareil est mal utilisé, si l'utilisation est prolongée, etc. Malgré l'application des normes de sécurité correspondantes et la présence de dispositifs de sécurité, les risques résiduels suivants ne peuvent être évités. Ceci comprend :

- ◆ Les blessures dues au contact avec une pièce mobile/ en rotation.
- ◆ Les blessures causées en changeant des pièces, lames ou accessoires.
- ◆ Les blessures dues à l'utilisation prolongée d'un outil. Une utilisation prolongée de l'outil nécessite des pauses régulières.
- ◆ Déficience auditive.
- ◆ Risques pour la santé causés par l'inhalation de poussières produites pendant l'utilisation de l'outil (exemple : travail avec du bois, surtout le chêne, le hêtre et les panneaux en MDF).

Vibration

La valeur des émissions de vibration déclarée dans la section Déclaration/Données techniques de conformité a été mesurée selon une méthode d'essai standard fournie par la norme EN 60745 et peut être utilisée pour comparer un outil à un autre. Elle peut aussi être utilisée pour une évaluation préliminaire à l'exposition.

Attention ! Selon la manière dont l'outil est utilisé, la valeur des émissions de vibration pendant l'utilisation de l'outil peut être différente de la valeur déclarée. Le niveau de vibration peut augmenter au-dessus du niveau établi.

Quand l'exposition aux vibrations est évaluée afin de déterminer les mesures de sécurité requises par la norme 2002/44/CE pour protéger les personnes utilisant régulièrement des outils électroportatif, il faut tenir compte d'une estimation de l'exposition aux vibrations, des conditions actuelles d'utilisation et de la manière dont l'outil est utilisé. Il faut aussi tenir compte de toutes les pièces du cycle de fonctionnement comme la durée pendant laquelle l'outil est arrêté et quand il fonctionne au ralenti, ainsi que la durée du déclenchement.

Étiquettes de l'outil

Les symboles ci-dessous se trouvent sur l'outil :



Attention ! Pour réduire le risque de blessures, l'utilisateur doit lire le manuel d'instructions.

Consignes de sécurité supplémentaires concernant les batteries et les chargeurs

Batteries

- ◆ En aucun cas, n'essayez d'ouvrir l'outil.
- ◆ Ne mettez pas la batterie en contact avec l'eau.
- ◆ Ne rangez pas l'appareil dans des endroits où la température peut dépasser 40 °C.
- ◆ Ne chargez qu'à température ambiante comprise entre 10 °C et 40 °C.
- ◆ N'utilisez que le chargeur fourni avec l'outil.

- ◆ Pour la mise au rebut des batteries, respectez les instructions mentionnées à la section « Protection de l'environnement ».

Chargeurs

- ◆ Utilisez exclusivement votre chargeur BLACK+DECKER pour charger la batterie fournie avec l'outil. D'autres batteries pourraient exploser, provoquant des blessures et des dommages.
- ◆ Ne tentez jamais de recharger des batteries non rechargeables.
- ◆ Remplacez immédiatement les fils électriques endommagés.
- ◆ N'approchez pas le chargeur de l'eau.
- ◆ N'ouvrez pas le chargeur.
- ◆ Ne testez pas le chargeur.



Le chargeur ne peut être utilisé qu'à l'intérieur.



Lisez le manuel d'instructions avant d'utiliser l'outil.



Transformateur avec isolation de sécurité. L'alimentation secteur est électriquement indépendante de la sortie du transformateur.



Le chargeur est automatiquement mis hors service si la température ambiante devient trop élevée. Il est alors impossible de l'utiliser. Débranchez alors le chargeur de l'alimentation secteur et faites-le réparer dans un centre agréé.

Sécurité électrique



Votre chargeur est doublement isolé et ne nécessite donc aucun câble de terre. Vérifiez toujours si la tension indiquée sur la plaque signalétique de l'appareil correspond à la tension de secteur. N'essayez jamais de remplacer le chargeur par une prise secteur.

- ◆ Si le câble d'alimentation est endommagé, il doit être remplacé par le fabricant ou par un Centre de réparation agréé BLACK+DECKER afin d'éviter tout accident.

Attention ! N'essayez jamais de remplacer le chargeur par une prise secteur.

Fonctionnalités

Cet outil présente la totalité ou une partie des caractéristiques suivantes.

1. Déclencheur
2. Bouton de commande avant/arrière
3. Support d'embout
4. Lampe de travail
5. Chargeur
6. Fiche du chargeur
7. Prise du chargeur

Assemblage

Mise en place et retrait d'un foret ou d'un embout de tournevis (figure B)

Cet outil utilise des forets et des embouts de tournevis de forme hexagonale de 6.35 mm (1/4").

- ◆ Pour installer un embout, insérez la tige dans le support (3).
- ◆ Pour retirer un embout, tirez la tige hors du support (3).

Remarque : l'accessoire à angle droit illustré aux figures E-J peut ne pas être inclus avec votre outil.

Utilisation

Attention ! Laissez l'outil fonctionner à sa propre vitesse. Ne le poussez pas au-delà de sa limite.

- ◆ Avant la première utilisation, la batterie doit être chargée pendant au moins 15 heures.

Charge de la batterie (figure C)

- ◆ Insérez la fiche du chargeur (6) dans la prise du chargeur (7).
- ◆ Branchez le chargeur (5).

- ◆ Laissez l'outil branché sur le chargeur pendant 15 heures.

Le chargeur peut chauffer et faire du bruit pendant la charge. Ceci est un phénomène normal qui ne présente aucun problème.

Attention ! Utilisez exclusivement le chargeur fourni pour charger l'outil CS3651LC.

Attention ! Ne chargez pas la batterie si la température ambiante est inférieure à 10 °C ou supérieure à 40 °C.

Sélection du sens de rotation (figure D)

Pour percer ou pour serrer les vis, utilisez la rotation en marche avant. Pour desserrer des vis ou retirer un foret bloqué, utilisez la rotation en marche arrière.

- ◆ Pour sélectionner la rotation en marche avant, poussez le bouton de commande avant/arrière (2) sur la position de marche avant.
- ◆ Pour sélectionner la rotation en marche arrière, poussez le bouton de commande avant/arrière (2) sur la position de marche arrière.
- ◆ Pour verrouiller l'outil, placez le bouton de commande avant/arrière en position centrale.

Perçage/vissage

- ◆ Pour sélectionner la rotation en marche avant ou arrière, utilisez le bouton de commande avant/arrière (2).
- ◆ Pour mettre l'outil sous tension, appuyez sur le déclencheur (1).
- ◆ Pour mettre l'outil hors tension, relâchez le déclencheur (1).

Lampe de travail

La lampe de travail (4) s'allume automatiquement en appuyant sur le déclencheur. Le témoin s'allume aussi quand le déclencheur est enfoncé et que le bouton de commande marche/arrêt (2) est en position de déverrouillage (position centrale).

Conseils pour une utilisation optimale

Vissage

- ◆ Choisissez toujours un embout de type et de taille appropriés.
- ◆ Si le serrage est difficile, enduisez la vis d'une petite quantité de liquide de vaisselle ou de savon comme lubrifiant.
- ◆ Utilisez le collier de verrouillage pour desserrer des vis trop serrées ou pour serrer fermement les vis.
- ◆ Alignez toujours l'outil et l'embout du tournevis avec la vis.
- ◆ Pour visser dans le bois, il est recommandé de percer un trou de guidage d'une profondeur égale à la longueur de la vis. Ce trou permet de guider la vis et d'éviter les éclats ou la déformation du bois. Pour connaître la taille maximum du trou, reportez-vous au tableau ci-dessous.
- ◆ Pour visser dans du bois dur, il est aussi recommandé de percer un trou de passage mais cette fois-ci, d'une profondeur égale à la moitié de la longueur de la vis. Pour connaître la taille maximum du trou, reportez-vous au tableau ci-dessous.

Taille de vis	ø du trou de guidage (bois tendre)	ø du trou de guidage (bois dur)	Trou de passage
N° 6 (3.5 mm)	2.0 mm	2.5 mm	3.6 mm
N° 8 (4 mm)	2.5 mm	3.0 mm	4.5 mm
N° 10 (5 mm)	3.0 mm	3.5 mm	5.0 mm

Perçage de trous de guidage

- ◆ Appliquez toujours une légère pression en ligne droite sur le foret.
- ◆ Juste avant que le bout du foret atteigne l'autre côté de la pièce à percer, diminuez la pression sur l'outil.
- ◆ Utilisez un bloc de bois pour protéger les pièces à percer afin d'éviter les éclats.
- ◆ Pour plus de précision, marquez à l'aide d'un poinçon central un point au centre du trou à percer.

Accessoires

Les performances de votre outil dépendent de l'accessoire utilisé. Les accessoires BLACK+DECKER et Piranha sont fabriqués conformément aux normes de qualité supérieure et sont conçus pour optimiser les performances de votre outil. L'utilisation de ces accessoires vous permettra de tirer pleinement profit de votre outil.

Cet outil utilise des embouts de tournevis de forme hexagonale de 1/4" (6.35 mm). Les accessoires Piranha Super-lok sont conçus pour cet outil.

Entretien

Votre outil BLACK+DECKER a été conçu pour fonctionner pendant longtemps avec un minimum d'entretien. Un fonctionnement continu satisfaisant dépend d'un nettoyage régulier et d'un entretien approprié de l'outil.

Le chargeur ne nécessite aucun entretien particulier, à l'exception d'un nettoyage régulier.

Attention ! Avant de procéder à un quelconque entretien sur l'outil, débranchez le chargeur.

- ◆ Nettoyez régulièrement les orifices de ventilation de l'outil et du chargeur à l'aide d'une brosse souple ou d'un chiffon sec.
- ◆ Nettoyez régulièrement le compartiment du moteur à l'aide d'un chiffon humide. N'utilisez pas de produit abrasif ou à base de solvant.
- ◆ Ouvrez régulièrement le mandrin et retirez la poussière à l'intérieur en le tapant.

Protection de l'environnement



Recyclage. Ce produit ne doit pas être jeté avec les déchets ménagers.

Si votre produit BLACK+DECKER doit être remplacé ou si vous ne l'utilisez plus, ne le jetez pas avec les ordures ménagères. Songez à la protection de l'environnement et recyclez-le.



La collecte séparée des produits et des emballages usagés permet de recycler et de réutiliser des matériaux.

La réutilisation de matériaux recyclés évite la pollution de l'environnement et réduit la demande de matières premières.

Des réglementations locales peuvent stipuler la collecte séparée des produits électriques et des produits ménagers, dans des déchetteries municipales ou par le revendeur lorsque vous achetez un nouveau produit.

BLACK+DECKER offre une solution permettant de recycler les produits BLACK+DECKER lorsqu'ils ont atteint la fin de leur cycle de vie. Pour pouvoir profiter de ce service, veuillez retourner votre produit à un réparateur agréé qui se chargera de le collecter pour nous.

Pour connaître l'adresse du réparateur agréé le plus proche de chez vous, contactez le bureau BLACK+DECKER à l'adresse indiquée dans ce manuel. Une liste des réparateurs agréés BLACK+DECKER ainsi que des informations détaillées sur notre service après-vente et nos coordonnées sont aussi disponibles sur le site Internet à l'adresse suivante : www.2helpU.com

Batteries



L'outil ne renferme aucune pièce susceptible d'être réparée par vos soins.

- ◆ Lorsque votre produit est arrivé en fin de vie, confiez-le dans sa totalité à votre technicien d'entretien ou à un centre de recyclage afin que la batterie puisse être recyclée. Ne jetez pas l'appareil avec les ordures ménagères.

Données techniques

CS351LC (H1)		
Tension	V_{DC}	3.6
Vitesse à vide	min^{-1}	180
Couple de blocage dur	Nm	5.84
Couple max.	Nm	5.0
Support d'embout	mm	6.35 (1/4")
Poids	kg	0.32

Batterie 906146** H1		
Tension	V	3.6
Type de batterie		Li-Ion
Intensité AHr		1.5

Chargeur 905450** H1		
Tension	V_{AC}	230
Durée de charge approximative	h	15
Poids	kg	0.14

Niveau de pression sonore selon la norme EN 60745 :	
Pression sonore (L_{pA})	60 dB(A), incertitude (K) 3 dB(A)
Pression sonore (L_{WA})	71 dB(A), incertitude (K) 3 dB(A)

Valeurs totales des vibrations (somme vectorielle triaxiale) selon la norme EN 60745 :	
Vissage sans impact ($a_{h,IS}$)	0.3 m/s^2 , incertitude (K) 1.5 m/s^2

Déclaration de conformité CE

CONSIGNES DE MACHINERIE



CS3651LC

Black & Decker confirme que les produits décrits dans les

« Données techniques » sont conformes aux normes :

2006/42/CE, EN 60745-1, EN 60745-2-2

Ces produits sont également conformes aux Directives 2014/30/UE et 2011/65/UE. Pour plus de détails, veuillez contacter Black & Decker à l'adresse suivante ou reportez-vous au dos du manuel.

Le soussigné est responsable des données de la fiche technique et fait cette déclaration au nom de Black & Decker.

R. Laverick
Responsable technique
Black & Decker Europe, 210 Bath Road, Slough,
Berkshire, SL1 3YD
Royaume-Uni
23/10/2014

Garantie

Black & Decker vous offre une garantie très élargie ainsi que des produits de qualité. Ce certificat de garantie est un document supplémentaire et ne peut en aucun cas se substituer à vos droits légaux. La garantie est valable sur tout le territoire des États Membres de l'Union Européenne et de la Zone de Libre Échange Européenne.

Si un produit Black & Decker s'avère défectueux en raison de matériaux en mauvaises conditions, d'une erreur humaine, ou d'un manque de conformité dans les 24 mois suivant la date d'achat, Black & Decker garantit le remplacement des pièces défectueuses, la réparation des produits usés ou cassés ou remplace ces produits à la convenance du client, sauf dans les circonstances suivantes :

- ◆ Le produit a été utilisé dans un but commercial, professionnel, ou a été loué ;
- ◆ Le produit a été mal utilisé ou utilisé avec négligence ;
- ◆ Le produit a subi des dommages à cause d'objets étrangers, de substances ou à cause d'accidents ;
- ◆ Des réparations ont été tentées par des techniciens ne faisant pas partie du service technique de Black & Decker.

Pour avoir recours à la garantie, il est nécessaire de fournir une preuve d'achat au vendeur ou à un réparateur agréé. Pour connaître l'adresse du réparateur agréé le plus proche de chez vous, contactez le bureau Black & Decker à l'adresse indiquée dans ce manuel. Une liste des réparateurs agréés Black & Decker ainsi que des informations détaillées sur notre service après-vente et nos coordonnées sont aussi disponibles sur le site Internet à l'adresse suivante : www.2helpU.com

Visitez notre site Web www.blackanddecker.fr pour enregistrer votre nouveau produit BLACK+DECKER et être informé des nouveaux produits et des offres spéciales. Pour plus d'informations concernant la marque BLACK+DECKER et notre gamme de produits, visitez notre site www.blackanddecker.fr

Uso previsto

Questo avvitatore BLACK+DECKER è stato progettato per avvitare. L'elettrotensile è stato progettato solo per uso privato.

Istruzioni di sicurezza

Avvisi di sicurezza generici per gli elettrotensili



Attenzione! Leggere tutti gli avvisi di sicurezza e tutte le istruzioni. La mancata osservazione dei presenti avvisi e istruzioni potrebbe causare scosse elettriche, incendi e/o infortuni gravi.

Conservare tutte le istruzioni e le avvertenze per futura consultazione. Il termine "elettrotensile" che ricorre in tutti gli avvisi seguenti si riferisce ad utensili elettrici con o senza filo.

1. **Sicurezza nella zona di lavoro**
 - a. **Mantenere pulita e ben illuminata la zona di lavoro.** Disordine o scarsa illuminazione possono causare incidenti.
 - b. **Evitare d'impiegare gli elettrotensili in ambienti esposti al rischio di esplosione, ad esempio in presenza di liquidi, gas o polveri infiammabili.** Gli elettrotensili producono scintille che possono far infiammare la polvere o i fumi.
 - c. **Mantenere lontani bambini e osservatori mentre si usa l'elettrotensile.** Eventuali distrazioni possono comportare la perdita del controllo dell'elettrotensile.
2. **Sicurezza elettrica**
 - a. **Le spine elettriche degli elettrotensili devono essere adatte alla presa. Evitare assolutamente di modificare la spina elettrica. Non usare adattatori con elettrotensili provvisti di messa a terra.** L'uso di spine inalterate e delle prese corrispondenti riduce il rischio di scosse elettriche.
 - b. **Evitare il contatto fisico con superfici collegate a terra, come tubi, radiatori, forni e frigoriferi.** Un corpo collegato a terra è esposto maggiormente al rischio di scosse elettriche.
 - c. **Custodire gli elettrotensili al riparo dalla pioggia o dall'umidità.** L'eventuale infiltrazione di acqua in un elettrotensile va ad aumentare il rischio di scosse elettriche.
 - d. **Non utilizzare il cavo in modo improprio. Non usare il cavo per trasportare o trainare l'elettrotensile e non tirarlo per estrarre la spina dalla presa di corrente. Mantenere il cavo al riparo da calore, olio, bordi taglienti e/o da parti in movimento.** I cavi danneggiati o aggrovigliati aumentano il rischio di scosse elettriche.
 - e. **Se l'elettrotensile viene adoperato all'aperto, usare esclusivamente prolunghe omologate per l'impiego all'esterno.** Un cavo adatto per uso esterno riduce il rischio di scosse elettriche.
 - f. **Se non è possibile evitare di lavorare in una zona umida, usare un'alimentazione elettrica protetta da un dispositivo a corrente residua (RCD).** L'uso di un dispositivo RCD riduce il rischio di scosse elettriche.
3. **Sicurezza delle persone**
 - a. **È importante concentrarsi su ciò che si sta facendo e maneggiare con giudizio l'elettrotensile. Non adoperare l'elettrotensile se si è stanchi o sotto l'effetto di stupefacenti, alcol o medicinali.** Un attimo di distrazione può causare gravi infortuni personali.
 - b. **Utilizzare un equipaggiamento di protezione personale. Indossare sempre occhiali di sicurezza.** Se si avrà cura d'indossare l'equipaggiamento protettivo necessario, ad esempio una maschera antipolvere, delle calzature antiscivolo, un casco o delle otoprotezioni, si ridurrà il rischio di infortuni.

- c. Impedire l'avviamento involontario. Accertarsi che l'interruttore di accensione sia regolato su spento prima di collegare l'elettrodomestico all'alimentazione elettrica e/o al battery pack, di prenderlo in mano o di trasportarlo.** Per non esporci al rischio di incidenti, non trasportare gli elettrodomestici tenendo le dita sull'interruttore oppure, se sono collegati a un'alimentazione elettrica, con l'interruttore acceso.
- d. Prima di accendere un elettrodomestico, togliere eventuali chiavi o attrezzi di regolazione.** Un utensile o una chiave lasciati in un componente mobile dell'elettrodomestico potranno causare lesioni.
- e. Non piegarsi eccessivamente in avanti. Mantenere sempre un buon equilibrio evitando posizioni instabili.** In questo modo è possibile controllare meglio l'elettrodomestico in situazioni inaspettate.
- f. Vestirsi adeguatamente. Evitare di indossare indumenti larghi o gioielli. Tenere capelli, capi di vestiario e guanti lontani da parti in movimento.** Capi di vestiario larghi, gioielli o capelli lunghi potrebbero impigliarsi nei componenti in movimento.
- g. Se gli elettrodomestici sono provvisti di attacchi per il collegamento di dispositivi di aspirazione o di raccolta della polvere, assicurarsi che questi siano installati e utilizzati correttamente.** L'impiego di dispositivi di raccolta della polvere diminuisce i rischi relativi alle polveri.
- 4. Uso e cura degli elettrodomestici**
- a. Non sovraccaricare l'elettrodomestico. Usare l'elettrodomestico adatto al lavoro da eseguire.** Utilizzando l'elettrodomestico adatto si potrà lavorare meglio e con maggiore sicurezza alla potenza nominale prevista.
- b. Non utilizzare elettrodomestici con interruttori difettosi.** Un elettrodomestico che non può essere controllato mediante l'interruttore è pericoloso e deve essere riparato.
- c. Scollegare la spina dalla presa di corrente e/o il battery pack dall'elettrodomestico prima di regolarlo, di sostituire gli accessori o di riporlo.** Queste precauzioni di sicurezza riducono la possibilità che l'elettrodomestico sia messo in funzione inavvertitamente.
- d. Quando non sono usati, gli elettrodomestici devono essere custoditi fuori della portata dei bambini. Non consentire l'uso dell'elettrodomestico a persone inesperte o che non abbiano letto le presenti istruzioni.** Gli elettrodomestici risultano pericolosi se usati da persone inesperte.
- e. Sottoporre gli elettrodomestici alle necessarie procedure di manutenzione. Verificare che le parti mobili siano bene allineate e non inceppate, che non vi siano componenti rotti e che non sussistano altre condizioni che possono compromettere il funzionamento dell'elettrodomestico. In caso di danni, riparare l'elettrodomestico prima dell'uso.** La scarsa manutenzione causa molti incidenti.
- f. Mantenere affilati e puliti gli utensili da taglio.** Se sottoposti alla giusta manutenzione, gli strumenti da taglio con taglienti affilati s'inceppano meno frequentemente e sono più facili da manovrare.
- g. Utilizzare l'elettrodomestico, gli accessori e le punte in conformità delle presenti istruzioni, tenendo conto delle condizioni di lavoro e del lavoro da completare.** L'impiego dell'elettrodomestico per usi diversi da quelli consentiti può dar luogo a situazioni pericolose.
- 5. Uso e cura degli elettrodomestici a batteria**
- a. Ricaricare solo usando il caricabatteria prescritto dal fabbricante.** Un caricabatteria idoneo a un determinato battery pack potrebbe essere causa di incendio se usato con un battery pack diverso.
- b. Usare gli elettrodomestici con gli appositi battery pack.** L'impiego di battery pack di altro tipo potrebbe creare il rischio di lesioni e di incendi.

- c. **Quando il battery pack non viene usato, tenerlo lontano da altri oggetti metallici tipo graffette, monete, chiavi, chiodi, viti o altri oggetti metallici di piccole dimensioni, che potrebbero cortocircuitare un morsetto con l'altro.** Se i morsetti della batteria vengono cortocircuitati si potrebbero causare ustioni o un incendio.
- d. **A seguito di un uso improprio, la batteria potrebbe espellere del liquido; evitare ogni contatto. In caso di contatto accidentale, lavare con acqua. Se il liquido viene a contatto degli occhi, rivolgersi anche a un medico.** Il liquido espulso dalla batteria potrebbe causare irritazioni o ustioni.

6. Riparazioni

- a. **Fare riparare l'elettrotroutensile solo ed esclusivamente da personale specializzato e solo impiegando pezzi di ricambio originali,** onde non alterarne la sicurezza.

Altri avvisi di sicurezza per gli elettrotroutensili



Attenzione! Addizionali avvisi di sicurezza per gli avvitatori e le chiavi battenti

- ◆ **Indossare otoprotezioni quando si usano i trapani a percussione.** L'esposizione al rumore può causare la perdita dell'udito.
- ◆ **Usare le impugnature ausiliarie fornite con l'elettrotroutensile.** La perdita di controllo può causare lesioni personali.
- ◆ **Tenere l'elettrotroutensile afferrando le impugnature isolate se vi è la possibilità che la punta dell'avvitatore possa venire a contatto di cavi nascosti o del filo di alimentazione.** Il contatto tra le punte dell'avvitatore e un filo sotto tensione, mette sotto tensione anche le parti metalliche esposte dell'elettrotroutensile esponendo l'operatore a scosse elettriche.
- ◆ **Usare morsetti o altri metodi pratici per fissare e sorreggere il pezzo in lavorazione su una base stabile.** Tenere il pezzo da lavorare in mano o contro il corpo è sconsigliabile, perché è instabile e può facilmente sfuggire dal controllo.

- ◆ L'uso previsto è descritto nel presente manuale. Se questo elettrotroutensile viene usato con accessori o per usi diversi da quelli raccomandati nel presente manuale d'uso, si potrebbero causare lesioni personali e/o danni alle cose.



Attenzione! Le chiavi battenti non sono chiavi torsionometriche. Non usare questo elettrotroutensile per serrare la bulloneria alla coppia specificata. Usare un utensile indipendente e opportunamente calibrato, come una chiave torsionometrica, se un serraggio eccessivo o insufficiente della bulloneria potrebbe causare danni al giunto.

Sicurezza altrui

- ◆ Questo elettrotroutensile non è stato progettato per impiego da parte di persone (o bambini) portatrici di handicap fisici, psichici o sensoriali o che non abbiano la dovuta esperienza o conoscenza, a meno che non siano seguite o opportunamente istruite sul suo impiego da parte di una persona responsabile della loro sicurezza.
- ◆ Controllare che i bambini non giochino con l'elettrotroutensile.

Rischi residui.

Quando si usa l'elettrotroutensile, possono esservi altri rischi residui che possono non essere stati contemplati negli avvisi di sicurezza allegati. Tali rischi possono sorgere a seguito di un uso prolungato o improprio, ecc.

Perfino adottando gli appositi regolamenti di sicurezza e utilizzando i dispositivi di sicurezza, certi rischi residui non possono essere evitati. Essi comprendono:

- ◆ Lesioni causate o subite a seguito del contatto con parti rotanti/in movimento.
- ◆ Lesioni causate o subite durante la sostituzione di parti, lame o accessori.
- ◆ Lesioni causate dall'impiego prolungato di un elettrotroutensile. Quando si usa qualsiasi elettrotroutensile per lunghi periodi, accertarsi di fare regolarmente delle pause.
- ◆ Problemi di udito.

- ◆ Rischi per la salute causati dall'aspirazione di polvere generata dall'utilizzo dell'elettrotrouensile (ad esempio quando si lavora con il legno, in modo particolare quello di quercia, faggio o l'MDF.)

Vibrazioni

I valori dichiarati delle emissioni di vibrazioni al paragrafo Dati tecnici e nella Dichiarazione di conformità del presente manuale sono stati misurati in base al metodo di test standard previsto dalla normativa EN 60745 e possono essere usati come parametri di confronto tra due utensili. Il valore delle emissioni di vibrazioni dichiarato può anche essere usato come valutazione preliminare dell'esposizione.

Attenzione! Il valore delle emissioni di vibrazioni durante l'impiego effettivo dell'elettrotrouensile può variare da quello dichiarato a seconda delle modalità d'uso. Il livello delle vibrazioni può aumentare oltre quello dichiarato.

Quando si valuta l'esposizione alle vibrazioni per determinare le misure di sicurezza richieste, in conformità alla normativa 2002/44/CE e destinata alla protezione delle persone che usano regolarmente gli elettrotrouensili nello svolgimento delle proprie mansioni, è necessario prendere in considerazione le condizioni effettive di utilizzo e il modo in cui l'utensile è usato, oltre a tenere in conto tutte le componenti del ciclo operativo, vale a dire i periodi in cui l'elettrotrouensile è spento, quelli in cui è acceso, ma a riposo e quelli in cui è effettivamente utilizzato.

Etichette sull'elettrotrouensile

Sull'elettrotrouensile appaiono i seguenti simboli:



Attenzione! Per ridurre il rischio di infortuni, l'utente deve leggere il manuale d'uso.

Istruzioni di sicurezza aggiuntive per batterie e alimentatori

Batterie

- ◆ Non tentare di aprirle per qualsiasi ragione.
- ◆ Non lasciare che la batteria si bagni.

- ◆ Non riporre in luoghi dove la temperatura potrebbe superare 40 °C.
- ◆ Caricare solo a temperature ambiente tra 10 °C e 40 °C.
- ◆ Caricare solo usando il caricabatteria fornito con l'elettrotrouensile.
- ◆ Per lo smaltimento delle batterie, seguire le istruzioni fornite alla sezione "Protezione dell'ambiente".

Caricabatterie

- ◆ Usare il caricabatteria BLACK+DECKER solo per caricare la batteria dell'apparecchio con il quale è stato fornito. Altre batterie potrebbero scoppiare causando lesioni alle persone e danni.
- ◆ Non tentare mai di ricaricare batterie non ricaricabili.
- ◆ Fare sostituire immediatamente i fili di alimentazione difettosi.
- ◆ Non lasciare che il caricabatteria si bagni.
- ◆ Non aprire il caricabatteria.
- ◆ Non collegare il caricabatteria a sonde.



Il caricabatteria deve essere usato solo in interni.



Leggere il presente manuale d'uso prima dell'impiego.



Trasformatore di isolamento con protezione incorporata. L'alimentazione di rete è separata elettricamente dall'uscita del trasformatore.



Il caricabatteria si spegne automaticamente se la temperatura ambiente aumenta eccessivamente. Di conseguenza il caricabatteria diventa inutilizzabile. In questi casi l'unità deve essere scollegata dalla presa di corrente e portata presso un centro di assistenza autorizzato per le necessarie riparazioni.

Sicurezza elettrica



Il doppio isolamento di cui è provvisto il caricabatteria rende superfluo il filo di terra. Controllare sempre che la tensione di rete corrisponda a quella indicata sulla targhetta dei dati tecnici. Non tentare mai di sostituire il caricabatteria con una normale spina elettrica.

- ◆ In caso di danneggiamento del filo di alimentazione, è necessario farlo riparare dal fabbricante o presso un centro assistenza BLACK+DECKER autorizzato in modo da evitare eventuali pericoli.

Attenzione! Non tentare mai di sostituire il caricabatteria con una normale spina elettrica.

Caratteristiche

Questo elettroutensile presenta alcune o tutte le seguenti caratteristiche.

1. Interruttore di accensione/spengimento
2. cursore avanti/indietro
3. Portapunta
4. Luce di lavoro a LED
5. Caricabatteria
6. Spina caricabatteria
7. Connettore di alimentazione

Montaggio

Montaggio e rimozione di una punta da trapano o da cacciavite (fig. B)

Questo elettroutensile usa punta da trapano con codolo esagonale da 6.35 mm (1/4").

- ◆ Per montare una punta, inserire il codolo nella griffa (3).
- ◆ Per rimuovere una punta, estrarre il codolo dalla griffa (3).

Nota: l'accessorio angolare destro mostrato nella fig. E-J potrebbe non essere incluso.

Utilizzo

Attenzione! Lasciare che l'elettroutensile funzioni al suo ritmo. Non sovraccaricarlo.

- ◆ Prima del primo utilizzo, caricare la batteria per almeno 15 ore.

Ricarica della batteria (fig. C)

- ◆ Inserire lo spinotto del caricabatteria (6) nel connettore del caricabatteria (7).
- ◆ Collegare il caricabatteria (5).
- ◆ Lasciare l'elettroutensile collegato al caricabatteria per 15 ore.

Durante la ricarica, il caricabatteria potrebbe riscaldarsi. Si tratta di un fatto normale che non indica che vi è un problema.

Attenzione! Caricare il modello CS3651LC solo con il caricabatteria fornito con l'elettroutensile.

Attenzione! Non caricare la batteria a temperature ambiente inferiori a 10 °C o superiori a 40 °C.

Selezione della direzione di rotazione (fig. D)

Per la trapanatura e per l'avvitatura usare la rotazione in avanti. Per allentare le viti o per rimuovere punte da trapano incastrate, usare la rotazione indietro.

- ◆ Per selezionare la rotazione in avanti, spingere il cursore avanti/indietro (2) in avanti.
- ◆ Per selezionare la rotazione indietro, spingere il cursore avanti/indietro (2) indietro.
- ◆ Per bloccare l'elettroutensile, regolare il cursore avanti/indietro sulla posizione centrale.

Avvitatura/trapanatura

- ◆ Selezionare la rotazione avanti o indietro usando il cursore avanti/indietro (2).
- ◆ Per accendere l'elettroutensile, premere l'interruttore di accensione (1).
- ◆ Per spegnere l'elettroutensile, rilasciare l'interruttore di accensione (1).

Luce di lavoro a LED

La luce di lavoro a LED (4) è attivata automaticamente quando si preme la levetta. Il LED si accende anche quando la levetta è premuta e il cursore avanti/indietro (2) si trova in posizione di blocco (posizione centrale).

Consigli per un utilizzo ottimale

Avvitatura

- ◆ Usare sempre la punta da cacciavite di tipo e misura corretti.
- ◆ Se le viti sono dure da avvitare, versare una piccola quantità di detersivo o sapone per lubrificarle.
- ◆ Usare il mandrino per allentare viti molto dure o per serrarle a fondo.
- ◆ Tenere sempre l'elettrotensile e la punta del cacciavite in posizione perpendicolare rispetto alla vite.
- ◆ Quando si avvitano delle viti nel legno, praticare un foro pilota di lunghezza pari a metà di quella della vite. Tale foro pilota guida la vite e impedisce che il legno si scheggi o deformi. Per la misura ottimale del foro di guida, consultare la tabella qui sotto.
- ◆ Quando si avvitano delle viti in legni duri, trapanare anche un foro passante di lunghezza pari a metà di quella della vite. Per la misura ottimale del foro passante, consultare la tabella qui sotto.

Misura vite	∅ foro pilota (legno dolce)	∅ foro pilota (legno duro)	Foro passante
N. 6 (3.5 mm)	2.0 mm	2.5 mm	3.6 mm
N. 8 (4 mm)	2.5 mm	3.0 mm	4.5 mm
N. 10 (5 mm)	3.0 mm	3.5 mm	5.0 mm

Praticare fori pilota

- ◆ Esercitare sempre una pressione leggera in linea retta con la punta da trapano.
- ◆ Appena prima che la punta esca dal lato opposto del pezzo in lavorazione, diminuire la pressione sull'elettrotensile.
- ◆ Usare un blocchetto di legno per rinforzare i pezzi che potrebbero scheggiarsi.

- ◆ Praticare una tacca con un punteruolo al centro del foro da trapanare per migliorare la precisione.

Accessori

Le prestazioni dell'elettrotensile dipendono dall'accessorio usato. Gli accessori BLACK+DECKER e Piranha sono fabbricati in base a standard qualitativi elevati e sono progettati per ottenere le migliori prestazioni dall'elettrotensile. Usando questi accessori si otterrà il meglio dall'elettrotensile.

Questo elettrotensile usa punte da trapano con codolo esagonale da 1/4" (6.35mm). Gli accessori Piranha Super-lok sono stati progettati per impiego con questo elettrotensile.

Manutenzione

Questo elettrotensile BLACK+DECKER è stato progettato per funzionare a lungo con una manutenzione minima. Per ottenere prestazioni sempre soddisfacenti occorre avere cura dell'elettrotensile e sottoporlo a manutenzione periodica.

Il caricabatteria non richiede nessuna manutenzione salvo una regolare pulitura.

Attenzione! Prima di eseguire interventi di manutenzione sull'elettrotensile, scollegare il caricabatteria prima di pulirlo.

- ◆ Pulire regolarmente le prese di ventilazione dell'elettrotensile e del caricabatteria con un pennello o con un panno morbido e asciutto.
- ◆ Il vano del motore deve essere pulito regolarmente con un panno umido. Non usare materiali abrasivi o detersivi a base di solventi.
- ◆ Aprire regolarmente il mandrino e batterlo leggermente per eliminare la polvere dall'interno.

Protezione dell'ambiente



Raccolta differenziata. Questo prodotto non deve essere smaltito con i normali rifiuti domestici.

Nel caso in cui l'elettrotensile BLACK+DECKER debba essere sostituito o non sia più necessario, non smaltirlo con i normali rifiuti domestici. Metterlo da parte per la raccolta differenziata.



La raccolta differenziata dei prodotti e degli imballaggi utilizzati consente il riciclaggio dei materiali e il loro continuo utilizzo.

Il riutilizzo dei materiali riciclati favorisce la protezione dell'ambiente prevenendo l'inquinamento e riduce il fabbisogno di materie prime.

Seguire le disposizioni locali per la raccolta differenziata dei prodotti elettrici, che possono prevedere punti di raccolta o la consegna dell'elettrotensile al rivenditore presso il quale viene acquistato un nuovo prodotto.

BLACK+DECKER offre ai propri clienti la possibilità di riciclare i prodotti BLACK+DECKER che hanno esaurito la loro vita di servizio. Per usufruire di tale servizio, è sufficiente restituire il prodotto a qualsiasi tecnico autorizzato, incaricato della raccolta per conto dell'azienda.

Per individuare il tecnico autorizzato più vicino, rivolgersi alla sede BLACK+DECKER locale, presso il recapito indicato nel presente manuale. Altrimenti, un elenco completo di tutti i tecnici autorizzati BLACK+DECKER e i dettagli completi sui contatti e i servizi post-vendita sono disponibili su Internet all'indirizzo: www.2helpU.com

Batterie



Non vi sono componenti riparabili all'interno.

- ◆ Al termine del ciclo di vita del prodotto, portare l'intera unità a un tecnico autorizzato o a un centro di smaltimento per riciclare la batteria. Non gettare l'unità nei rifiuti domestici.

Dati tecnici

CS351LC (H1)		
Tensione	V_{DC}	3.6
Regime a vuoto	min^{-1}	180
Coppia di stallo	Nm	5.84
Coppia max.	Nm	5.0
Portapunta	mm	6.35 (1/4")
Peso	kg	0.32

Batteria 906146** H1		
Tensione	V	3.6
Tipo di batteria	Ioni di litio	
Valore nominale Ah	1.5	

Caricabatteria 905450** H1		
Tensione	V_{AC}	230
Tempo di carica approssimativo	h	15
Peso	kg	0.14

Livello di pressione sonora misurato in base a EN 60745:	
Pressione sonora (L_{pA})	60 dB(A), incertezza (K) 3 dB(A)
Potenza acustica (L_{WA})	71 dB(A), incertezza (K) 3 dB(A)

Valori totali vibrazioni (somma vettoriale triassiale) in base a EN 60745:	
Avvitatura senza percussione ($a_{h, IS}$)	0.3 m/s^2 , incertezza (K) 1.5 m/s^2

Dichiarazione di conformità CE

DIRETTIVA SUI MACCHINARI



CS3651LC

Black & Decker dichiara che i prodotti descritti al paragrafo

"Dati tecnici" sono conformi a:

2006/42/CE, EN 60745-1, EN 60745-2-2

Questi prodotti sono conformi alla Direttiva 2014/30/UE e 2011/65/UE. Per ulteriori informazioni, contattare Black & Decker al seguente indirizzo oppure consultare l'ultima di copertina del manuale.

Il sottoscritto è responsabile della redazione di questo documento tecnico ed effettua questa dichiarazione per conto di Black & Decker.

R. Laverick
Engineering Manager
Black & Decker Europe, 210 Bath Road, Slough,
Berkshire, SL1 3YD
Regno Unito
23/10/2014

Garanzia

Certa della qualità dei suoi prodotti, Black & Decker offre una garanzia eccezionale. Il presente certificato di garanzia è complementare ai diritti legali e non li pregiudica in alcun modo. La garanzia è valida entro il territorio degli Stati membri dell'Unione Europea e dell'EFTA (European Free Trade Area).

Se un prodotto Black & Decker risulta difettoso per qualità del materiale, della costruzione o per mancata conformità entro 24 mesi dalla data di acquisto, Black & Decker garantisce la sostituzione delle parti difettose, provvede alla riparazione dei prodotti se ragionevolmente usurati oppure alla loro sostituzione, in modo da ridurre al minimo il disagio del cliente a meno che:

- ◆ il prodotto non sia stato destinato a usi commerciali, professionali o al noleggio;
- ◆ il prodotto non sia stato usato in modo improprio o scorretto;
- ◆ il prodotto non abbia subito danni causati da oggetti o sostanze estranee oppure incidenti;
- ◆ il prodotto non abbia subito tentativi di riparazione non effettuati da tecnici autorizzati né dall'assistenza Black & Decker.

Per attivare la garanzia è necessario esibire la prova di acquisto al venditore o al tecnico autorizzato. Per individuare il tecnico autorizzato più vicino, rivolgersi alla sede Black & Decker locale, presso il recapito indicato nel presente manuale. Altrimenti, un elenco completo di tutti i tecnici autorizzati Black & Decker e i dettagli completi sui contatti e i servizi post-vendita sono disponibili su Internet all'indirizzo: www.2helpU.com

I clienti che desiderano registrare il nuovo prodotto BLACK+DECKER e ricevere gli aggiornamenti sui nuovi prodotti e le offerte speciali, sono invitati a visitare il sito Web (www.blackanddecker.it). Ulteriori informazioni sul marchio e la gamma di prodotti BLACK+DECKER sono disponibili all'indirizzo www.blackanddecker.it.

Beoogd gebruik

Uw schroevendraaier van BLACK+DECKER is ontworpen voor toepassing als schroevendraaier. Dit gereedschap is uitsluitend bestemd voor consumentengebruik.

Veiligheidsinstructies

Algemene veiligheidswaarschuwingen voor elektrisch gereedschap



Waarschuwing! Lees alle veiligheids-
waarschuwingen en alle instructies. Wanneer
de volgende waarschuwingen en voorschrif-
ten niet in acht worden genomen, kan dit een
elektrische schok, brand of ernstig letsel tot
gevolg hebben.

Bewaar alle waarschuwingen en instructies als referentiemateriaal. Het hierna gebruikte begrip 'elektrisch gereedschap' heeft betrekking op elektrische gereedschappen voor gebruik op de netspanning (met netsnoer) of op een accu (snoerloos).

1. Veilige werkomgeving

- a. **Houd uw werkomgeving schoon en goed verlicht.** Een rommelige of onverlichte werkruimte kan tot ongevallen leiden.
- b. **Gebruik elektrisch gereedschap niet in een omgeving met explosiegevaar, zoals in de nabijheid van brandbare vloeistoffen, gassen of stof.** Elektrisch gereedschap veroorzaakt vonken die het stof of de dampen tot ontsteking kunnen brengen.
- c. **Houd kinderen en andere personen tijdens het gebruik van elektrisch gereedschap uit de buurt.** Wanneer u wordt afgeleid, kunt u de controle over het apparaat verliezen.

2. Elektrische veiligheid

- a. **De netstekker van het gereedschap moet in het stopcontact passen. De stekker mag in geen geval worden omgebouwd. Gebruik geen adapterstekkers in combinatie met gearde gereedschappen.** Niet-omgebouwde stekkers en passende stopcontacten beperken het risico van een elektrische schok.
- b. **Vermijd aanraking van het lichaam met gearde oppervlakken, bijvoorbeeld buizen, verwarmingen, fornuizen en koelkasten.** Er bestaat een verhoogd risico op een elektrische schok wanneer uw lichaam geaard is.
- c. **Houd het gereedschap uit de buurt van regen en vocht.** Het binnendringen van water in het elektrische gereedschap vergroot het risico van een elektrische schok.
- d. **Gebruik het snoer niet voor een verkeerd doel. Gebruik het snoer niet om het gereedschap te dragen of op te hangen of om de stekker uit het stopcontact te trekken. Houd het snoer uit de buurt van hitte, olie, scherpe randen of bewegende delen.** Beschadigde of in de war geraakte snoeren vergroten het risico van een elektrische schok.
- e. **Wanneer u buitenshuis met elektrisch gereedschap werkt, dient u alleen verlengsnoeren te gebruiken die zijn goedgekeurd voor gebruik buitenshuis.** Het gebruik van een verlengsnoer dat geschikt is voor gebruik buitenshuis, beperkt het risico van een elektrische schok.
- f. **Als u een elektrisch gereedschap moet gebruiken in een vochtige locatie, moet u een reststromschakelaar (RCD) gebruiken.** Met een aardlekschakelaar wordt het risico van een elektrische schok verkleind.

3. Persoonlijke veiligheid

- a. **Wees alert, let goed op wat u doet en ga met verstand te werk bij het gebruik van elektrische gereedschappen. Gebruik elektrisch gereedschap niet wanneer u moe bent of onder invloed van drugs, alcohol of medicijnen.** Een moment van onoplettendheid bij het gebruik van het gereedschap kan leiden tot ernstige verwondingen.
- b. **Draag een persoonlijke beschermende uitrusting. Draag altijd een veiligheidsbril.** Het dragen van een persoonlijke beschermende uitrusting zoals een stofmasker, slipvaste werkschoenen, een veiligheidshelm of gehoorbescherming, afhankelijk van de aard en het gebruik van het elektrische gereedschap, vermindert het risico van verwondingen.
- c. **Voorkom per ongeluk inschakelen. Controleer of de schakelaar in de uit-stand staat voordat u het gereedschap aansluit op het stopcontact en/of de accu en voordat u het gereedschap optilt of gaat dragen.** Wanneer u bij het dragen van het gereedschap uw vinger op de schakelaar houdt of wanneer u het gereedschap per ongeluk inschakelt, kan dat leiden tot ongevallen.
- d. **Verwijder instelgereedschappen of schroefsleutels voordat u het gereedschap inschakelt.** Een instelgereedschap of sleutel in een draaiend deel van het gereedschap kan leiden tot verwondingen.
- e. **Reik niet te ver. Zorg er altijd voor dat u stevig staat en in evenwicht blijft.** Daardoor kunt u het gereedschap beter onder controle houden in onverwachte situaties.
- f. **Draag geschikte kleding. Draag geen loshangende kleding of sieraden. Houd haren, kleding en handschoenen uit de buurt van bewegende delen.** Loshangende kleding, sieraden en lange haren kunnen door bewegende delen worden meegenomen.
- g. **Wanneer stofafzuigings- of stofopvangvoorzieningen kunnen worden gemonteerd, dient u zich ervan te verzekeren dat deze zijn aangesloten en juist worden gebruikt.** Het gebruik van stofopvangvoorzieningen beperkt het gevaar door stof.

4. Gebruik en onderhoud van elektrisch gereedschap

- a. **Overbelast het gereedschap niet. Gebruik voor uw toepassing het daarvoor bestemde elektrische gereedschap.** Met het geschikte elektrische gereedschap werkt u beter en veiliger binnen het aangegeven capaciteitsbereik.
- b. **Gebruik geen elektrisch gereedschap waarvan de schakelaar defect is.** Elektrisch gereedschap dat niet meer kan worden in- of uitgeschakeld, is gevaarlijk en moet worden gerepareerd.
- c. **Trek de stekker uit het stopcontact en/of verwijder de accu uit het elektrisch gereedschap voordat u het gereedschap instelt, toebehoren wisselt of het gereedschap opbergt.** Met deze voorzorgsmaatregel voorkomt u onbedoeld starten van het gereedschap.
- d. **Bewaar niet-gebruikte elektrische gereedschappen buiten bereik van kinderen. Laat het gereedschap niet gebruiken door personen die er niet vertrouwd mee zijn en deze aanwijzingen niet hebben gelezen.** Elektrische gereedschappen zijn gevaarlijk wanneer deze worden gebruikt door onervaren personen.
- e. **Verzorg het gereedschap zorgvuldig. Controleer of bewegende delen van het gereedschap correct functioneren en niet klemmen, en of er onderdelen zodanig zijn gebroken of beschadigd dat de werking van het gereedschap nadelig wordt beïnvloed. Laat beschadigde delen repareren voordat u het gereedschap gebruikt.** Veel ongevallen worden veroorzaakt door slecht onderhouden elektrisch gereedschap.
- f. **Houd snijdende inzetgereedschappen scherp en schoon.** Zorgvuldig onderhouden snijdende inzetgereedschappen met scherpe snijkanten klemmen minder snel vast en zijn gemakkelijker te geleiden.
- g. **Gebruik elektrische gereedschappen, toebehoren, inzetgereedschappen en dergelijke volgens deze aanwijzingen. Let daarbij op de arbeidsomstandigheden en de uit te voeren werkzaamheden.** Het gebruik van elektrische gereedschappen voor andere dan de voorziene toepassingen kan leiden tot gevaarlijke situaties.

5. Gebruik en onderhoud van snoerloos elektrisch gereedschap

- a. **Laad accu's alleen op met de door de fabrikant aanbevolen lader.** Een lader die geschikt is voor een bepaald type accu, kan brandgevaar opleveren wanneer deze in combinatie met andere accu's wordt gebruikt.
- b. **Gebruik elektrisch gereedschap alleen in combinatie met specifiek vermelde accu's.** Het gebruik van andere accu's kan gevaar voor letsel en brand opleveren.
- c. **Houd accu's die niet worden gebruikt uit de buurt van andere metalen voorwerpen, zoals paperclips, munten, spijkers, schroeven of andere kleine metalen voorwerpen die een verbinding van de ene pool naar de andere tot stand kunnen brengen.** Als kortsluiting tussen de polen van de accu's wordt gemaakt, kunnen brandwonden of brand worden veroorzaakt.
- d. **Onder extreme omstandigheden kan er vloeistof uit de accu spuiten. Vermijd contact. Indien onbedoeld contact plaatsvindt, spoelt u met water. Als vloeistof in aanraking komt met ogen, raadpleegt u bovendien uw huisarts.** Vloeistof die uit de accu spuit, kan irritatie of brandwonden veroorzaken.

6. Onderhoud

- a. **Laat het gereedschap alleen repareren door gekwalificeerd en vakkundig personeel en alleen met originele vervangingsonderdelen.** Daarmee wordt de veiligheid van het gereedschap gewaarborgd.

Aanvullende veiligheidswaarschuwingen voor elektrisch gereedschap



Waarschuwing! Aanvullende veiligheidswaarschuwingen voor schroevendraaiers en moerenaanzetters

- ◆ **Draag gehoorbeschermers bij gebruik als slagboor.** Door het geluid van het gereedschap kan uw gehoor worden beschadigd.

- ◆ **Gebruik de extra handgrepen die bij het gereedschap worden geleverd.** Als u de controle over het gereedschap verliest, kan dat letsel veroorzaken.
- ◆ **Houd het gereedschap vast bij de geïsoleerde greepoppervlakken als u een handeling uitvoert waarbij het bevestigingsmateriaal met onzichtbare draden in aanraking kan komen.** Als een draad onder spanning wordt geraakt met het bevestigingsmateriaal, komen onbedekte metalen onderdelen van het gereedschap onder spanning te staan en kunt u een elektrische schok krijgen.
- ◆ **Gebruik klemmen of een andere praktische manier om het werkstuk op een stabiel platform vast te zetten en te steunen.** Als u het werkstuk met de hand of tegen uw lichaam vasthoudt, is het niet stabiel en kunt u de controle over het gereedschap verliezen.
- ◆ In deze instructiehandleiding wordt het beoogde gebruik beschreven. Het gebruik van andere accessoires of hulpstukken dan wel de uitvoering van andere handelingen met dit gereedschap dan die in deze gebruikershandleiding worden aanbevolen, kan leiden tot persoonlijk letsel en/of schade aan eigendommen.



Waarschuwing! Moeraanzetters zijn geen momentsleutels. Gebruik dit gereedschap niet voor het vastdraaien van bevestigingsmaterialen tot een bepaald moment. Gebruik een afzonderlijke, gekalibreerde momentmeter zoals een momentsleutel wanneer bevestigingsmateriaal die te hard of te zacht zijn aangedraaid kunnen leiden tot een bezwijkende verbinding.

Veiligheid van anderen

- ◆ Dit apparaat mag niet worden gebruikt door personen (waaronder kinderen) met een lichamelijke of geestelijke beperking of die geen ervaring met of kennis van dit apparaat hebben, tenzij ze onder toezicht staan of instructies krijgen wat betreft het gebruik van het apparaat van een persoon die verantwoordelijk is voor hun veiligheid.
- ◆ Houd toezicht op kinderen om ervoor te zorgen dat zij niet met het apparaat gaan spelen.

Overige risico's

Er kunnen zich tijdens het gebruik van het gereedschap ook andere risico's voordoen, die misschien niet in de bijgevoegde veiligheidswaarschuwingen worden vermeld. Deze risico's kunnen zich voordoen als gevolg van onoordeelkundig gebruik, langdurig gebruik, enz.

Zelfs als de veiligheidsvoorschriften in acht worden genomen en de veiligheidsvoorzieningen worden geïmplementeerd, kunnen bepaalde risico's niet worden vermeden. Deze omvatten:

- ◆ Verwondingen die worden veroorzaakt door het aanraken van draaiende of bewegende onderdelen.
- ◆ Verwondingen die worden veroorzaakt bij het vervangen van onderdelen, bladen of accessoires.
- ◆ Verwondingen die worden veroorzaakt door langdurig gebruik van het gereedschap. Als u langere periodes met het gereedschap werkt, is het raadzaam om regelmatig een pauze in te lassen.
- ◆ Gehoorbeschadiging.
- ◆ Gezondheidsrisico's als gevolg van het inademen van stof dat door gebruik van het gereedschap wordt veroorzaakt (bijvoorbeeld tijdens het werken met hout, vooral eiken, beuken en MDF.)

Trillingen

De aangegeven waarden voor trillingsemisatie in de technische gegevens en de conformiteitsverklaring zijn gemeten conform een standaardtestmethode die door EN 60745 wordt geboden. Hiermee kan het ene gereedschap met het andere worden vergeleken. De aangegeven waarde voor trillingsemisatie kan ook worden gebruikt bij een voorlopige bepaling van blootstelling.

Waarschuwing! De waarde voor trillingsemisatie tijdens het werkelijke gebruik van het gereedschap kan verschillen van de aangegeven waarde afhankelijk van de manieren waarop het gereedschap wordt gebruikt. Het trillingsniveau kan hoger worden dan het aangegeven niveau.

Wanneer de blootstelling aan trillingen wordt vastgesteld teneinde veiligheidsmaatregelen te bepalen die worden vereist door 2002/44/EG ter bescherming van personen die tijdens hun werk regelmatig elektrische gereedschappen gebruiken, moet bij een schatting van de blootstelling aan trillingen rekening worden gehouden met de werkelijke omstandigheden van het gebruik en de manier waarop het gereedschap wordt gebruikt. Daarbij moet ook rekening worden gehouden met alle stappen in de gebruikscyclus, zoals het moment waarop het gereedschap wordt uitgeschakeld en wanneer het gereedschap stationair loopt alsook de aanlooptijd.

Labels op het gereedschap

De volgende symbolen zijn op het apparaat aangegeven:



Waarschuwing! De gebruiker moet de instructiehandleiding lezen om het risico op letsel te verminderen.

Aanvullende veiligheidsinstructies voor accu's en laders

Accu's

- ◆ Probeer accu's niet te openen, om welke reden ook.
- ◆ Stel de accu niet bloot aan water.
- ◆ Bewaar deze niet op locaties met temperaturen van meer dan 40 °C.
- ◆ Laad de accu's alleen op bij een omgevingstemperatuur van 10-40 °C.
- ◆ Gebruik alleen de lader die bij het apparaat is geleverd.
- ◆ Gooi lege accu's weg volgens de instructies in het gedeelte "Milieu".

Laders

- ◆ Gebruik de lader van BLACK+DECKER alleen voor de accu's in het apparaat waarbij de lader is bijgeleverd. Andere batterijen kunnen exploderen met letsel en materiële schade als gevolg.
- ◆ Niet-laadbare accu's mogen nooit worden opgeladen.
- ◆ Een defect snoer moet direct worden vervangen.

- ◆ Stel de lader niet bloot aan water.
- ◆ Open de lader niet.
- ◆ Prik nooit met een scherp voorwerp in de lader.



De lader is uitsluitend bestemd voor gebruik binnenshuis.



Lees voor gebruik deze gebruikershandleiding.



Storingsvrije scheidingstransformator. De netvoeding is elektrisch gescheiden van de transformatoruitgang.



De lader wordt automatisch uitgeschakeld als de omgevingstemperatuur te ver oploopt. Hierdoor zal de lader onbruikbaar worden. Neem de lader in dat geval uit het stopcontact en laat deze door een erkend servicecentrum repareren.

Elektrische veiligheid



De lader is dubbel geïsoleerd, zodat een aardaansluiting niet nodig is. Controleer altijd of de netspanning overeenkomt met de waarde op het typeplaatje. Probeer de lader nooit te vervangen door een normale netstekker.

- ◆ Als het netsnoer is beschadigd, moet dit worden vervangen door de fabrikant of een BLACK+DECKER-servicecentrum om gevaar te voorkomen.

Waarschuwing! Probeer de lader nooit te vervangen door een normale netstekker.

Onderdelen

Bij dit gereedschap worden enkele of alle van de volgende onderdelen meegeleverd.

1. Aan-/uitschakelaar
2. Schuifknop voor rechtsom/linksom
3. Bithouder
4. LED-werklicht

5. Lader
6. Stekker van lader
7. Laderaansluiting

Monteren

Een boorbit of schroefbit plaatsen of verwijderen (fig. B)

Voor dit gereedschap worden schroefbits en boorbits met een zeshoekige schacht van 6.35 mm (1/4 inch) gebruikt.

- ◆ U brengt een bit aan door de bitschacht in de bithouder (3) te plaatsen.
- ◆ U verwijdert een bit door de bitschacht uit de bithouder (3) te trekken.

Opmerking: Het hulpstuk met rechte hoek in afb. E-J is mogelijk niet inbegrepen bij uw machine.

Gebruik van het apparaat

Waarschuwing! Laat het gereedschap in zijn eigen tempo werken. Overbelast de machine niet.

- ◆ Laad de accu vóór het eerste gebruik gedurende ten minste 15 uur op.

De accu opladen (fig. C)

- ◆ Steek de stekker van de lader (6) in de aansluiting (7).
- ◆ Steek de stekker van de lader (5) in het stopcontact.
- ◆ Laat het gereedschap 15 uur aangesloten op de lader.

Tijdens het opladen kan de lader brommen en warm worden. Dit is normaal en duidt niet op een probleem.

Waarschuwing! Gebruik alleen de lader om CS3651LC op te laden.

Waarschuwing! Laad de accu niet op bij omgevingstemperaturen onder 10°C of boven 40°C.

De draairichting selecteren (fig. D)

Voor boren en het vastdraaien van schroeven, gebruikt u de voorwaartse draairichting. Voor het losdraaien van schroeven of het verwijderen van een vastgelopen boorbit, gebruikt u de tegengestelde draairichting.

- ◆ Als u vooruit draaien wilt selecteren, drukt u de schuifknop voor rechtsom/linksom (2) naar voor.

- ◆ Als u achteruit draaien wilt selecteren, drukt u de schuifknop voor rechtsom/linksom (2) naar achter.
- ◆ U kunt het gereedschap vergrendelen door de schuifknop voor rechtsom/linksom in de middelste stand te zetten.

Boren/schroeven

- ◆ Gebruik de schuifknop voor rechtsom/linksom (2) om de gewenste draairichting te selecteren.
- ◆ Druk de aan/uit-schakelaar (1) in om het gereedschap in te schakelen.
- ◆ Laat de aan/uit-schakelaar (1) los om het gereedschap uit te schakelen.

LED-werklicht

Het LED-werklicht (4) gaat automatisch branden als de aan/uit-schakelaar wordt ingedrukt. Het lampje gaat ook branden wanneer u de schakelaar indrukt terwijl de schuifknop voor rechtsom/linksom (2) in de vergrendelde stand staat (in het midden).

Tips voor optimaal gebruik

Schroeven

- ◆ Gebruik altijd het juiste type en formaat schroefbit.
- ◆ Als schroeven moeilijk kunnen worden vastgedraaid, kunt u een kleine hoeveelheid afwasmiddel of zeep als smeermiddel gebruiken.
- ◆ Gebruik de vergrendeling om heel vast aangedraaide schroeven los te draaien of schroeven stevig vast te draaien.
- ◆ Houd het gereedschap en de schroefbit altijd recht in het verlengde van de schroef.
- ◆ Als u in hout schroeft, is het aan te bevelen een gat voor te boren met een diepte die gelijk is aan de lengte van de schroef. Een voorboorgat geleidt de schroef en voorkomt versplintering of vervorming van het hout. Raadpleeg de onderstaande tabel voor de optimale grootte van het voorboorgat.
- ◆ Als u in hardhout schroeft, boort u ook een vrijloopgat met een diepte die gelijk is aan de helft van de lengte van de schroef. Raadpleeg de onderstaande tabel voor de optimale grootte van het vrijloopgat.

Schroefg-rootte	Voorboorgat ø (zacht hout)	Voorboorgat ø (hardhout)	Vrijloopgat
Nr. 6 (3.5 mm)	2.0 mm	2.5 mm	3.6 mm
Nr. 8 (4 mm)	2.5 mm	3.0 mm	4.5 mm
Nr. 10 (5 mm)	3.0 mm	3.5 mm	5.0 mm

Voorboorgaten boren

- ◆ Oefen lichte druk uit op het boorbit. Doe dit altijd loodrecht op het bit.
- ◆ Net voordat de punt van het boorbit door het werkstuk gaat, hoeft u geen druk meer uit te oefenen op het bit.
- ◆ Gebruik een blokje hout als u gaat boren in werkstukken die makkelijk splinteren.
- ◆ Gebruik een centerpons om een beginpunt voor het boorgat te maken, zodat u nauwkeuriger kunt werken.

Accessoires

De prestaties van het gereedschap zijn afhankelijk van de gebruikte accessoires. Accessoires van BLACK+DECKER en Piranha zijn ontworpen om aan hoge kwaliteitsnormen te voldoen en de prestaties van uw gereedschap te verhogen. In combinatie met deze accessoires kunt u uw gereedschap nog beter laten presteren. Voor dit gereedschap worden schroefbits met een zeshoekige schacht van 6.35mm (1/4") gebruikt. Piranha Super-lok-accessoires zijn ontworpen voor gebruik in combinatie met dit gereedschap.

Onderhoud

Uw BLACK+DECKER-gereedschap is ontworpen om gedurende langere periode te functioneren met een minimum aan onderhoud. U kunt het gereedschap naar volle tevredenheid blijven gebruiken als u voor correct onderhoud zorgt en het gereedschap regelmatig schoonmaakt.

Naast regelmatige reiniging vereist de lader geen onderhoud.

Waarschuwing! Trek, voordat u onderhoud aan het gereedschap uitvoert, de stekker van de lader uit het stopcontact voordat u deze reinigt.

- ◆ Reinig regelmatig de ventilatieopeningen van het gereedschap en de lader met een zachte borstel of droge doek.
- ◆ Reinig regelmatig de behuizing van de motor met een vochtige doek. Gebruik geen schuur- of oplosmiddel.
- ◆ Open regelmatig de spanknop en tik erop om eventueel stof uit het binnenste te verwijderen.

Milieu



Aparte inzameling. Dit product mag niet bij het normale huishoudafval worden weggegooid.

Mocht u op een dag constateren dat het BLACK+DECKER-product aan vervanging toe is of dat u het apparaat niet meer nodig hebt, gooi het product dan niet bij het restafval. Het product valt onder de categorie voor elektrische apparaten.



Gescheiden inzameling van gebruikte producten en verpakkingsmaterialen maakt het mogelijk materialen te recyclen en opnieuw te gebruiken.

Hergebruik van gerecycleerde materialen zorgt voor minder milieuvuiling en dringt de vraag naar grondstoffen terug.

Plaatselijke verordeningen kunnen voorzien in gescheiden inzameling van huishoudelijke elektrische producten via gemeentelijke stortplaatsen of via de leverancier bij wie u een nieuw product aanschaft.

BLACK+DECKER biedt een service voor het inzamelen en hergebruiken van BLACK+DECKER-producten als deze aan het einde van hun levensduur zijn gekomen. Om gebruik te maken van deze service, dient u het product naar een van onze servicecentra te sturen, die de inzameling voor ons verzorgen.

U kunt de locatie van de dichtstbijzijnde geautoriseerde dealer vinden door contact op te nemen met het BLACK+DECKER-kantoor op het adres dat in deze handleiding is aangegeven. Daarnaast is er een lijst van geautoriseerde BLACK+DECKER-dealers en de complete gegevens van onze after-sales service op internet beschikbaar bij: www.2helpU.com

Accu's



Het apparaat bevat geen onderdelen die door de gebruiker kunnen worden gerepareerd.

- ◆ Aan het einde van de levensduur van uw product, moet u het hele apparaat terugbrengen naar een servicecentrum of een inzamellocatie in uw woonplaats om de accu te laten recyclen. Gooi het apparaat niet met het huishoudelijk afval weg.

Technische gegevens

CS351LC (H1)		
Spanning	V_{DC}	3.6
Onbelast toerental	min^{-1}	180
Vastlooptorsie	Nm	5.84
Max. torsie	Nm	5.0
Bithouder	mm	6.35 (1/4")
Gewicht	kg	0.32

Accu 906146** H1		
Spanning	V	3.6
Type accu		Li-Ion
AHr gegevens		1.5

Lader 905450** H1		
Spanning	V_{AC}	230
Oplaadtijd ca.	uur	15
Gewicht	kg	0.14

Geluidsdrukniveau volgens EN 60745:	
Geluidsdruk (L_{pA})	60 dB(A), meetonzekerheid (K) 3 dB(A)
Geluidsvermogen (L_{WA})	71 dB(A), meetonzekerheid (K) 3 dB(A)

Totale trillingswaarden (som triaxvector) volgens EN 60745:	
Schroeven indraaien zonder slagen ($a_{h,IS}$)	0.3 m/s^2 , meetonzekerheid (K) 1.5 m/s^2

EG-conformiteitsverklaring

MACHINERICHTLIJN



CS3651LC

Black & Decker verklaart dat deze producten, die zijn beschreven bij 'Technische gegevens', voldoen aan:

2006/42/EG, EN 60745-1, EN 60745-2-2

Deze producten voldoen tevens aan richtlijn 2014/30/EU en 2011/65/EU. Neem voor meer informatie contact op met Black & Decker op het volgende adres of raadpleeg

de achterzijde van de handleiding.

Ondergetekende is verantwoordelijk voor de compilatie van het technische bestand en doet deze verklaring

namens Black & Decker.

R. Laverick
 Engineering Manager
 Black & Decker Europe, 210 Bath Road, Slough,
 Berkshire, SL1 3YD
 Verenigd Koninkrijk
 23/10/2014

Garantie

Black & Decker heeft vertrouwen in haar producten en biedt een uitstekende garantie. Deze garantiebepalingen vormen een aanvulling op uw wettelijke rechten en beperken deze niet. De garantie geldt in de lidstaten van de Europese Unie en de Europese Vrijhandelsassociatie.

Mocht uw Black & Decker product binnen 24 maanden na de datum van aankoop defect raken ten gevolge van materiaal- of constructiefouten, dan garanderen wij de kosteloze vervanging van defecte onderdelen, de reparatie van het product of de vervanging van het product, tenzij:

- ◆ Het product is gebruikt voor handelsdoeleinden, professionele toepassingen of verhuurdoeleinden.
- ◆ Het product onoordeelkundig is gebruikt.
- ◆ Het product is beschadigd door invloeden van buitenaf of door een ongeval.
- ◆ Reparaties zijn uitgevoerd door anderen dan onze servicecentra of Black & Decker-personeel.

Om een beroep te doen op de garantie, dient u een aankoopbewijs te overhandigen aan de verkoper of een van onze servicecentra. U kunt het adres van het dichtstbijzijnde Black & Decker-servicecentrum opvragen via de adressen op de achterzijde van deze handleiding. U kunt ook een lijst van Black & Decker-servicecentra en meer informatie m.b.t. onze klantenservice vinden op het volgende internetadres: www.2helpU.com

Meld u aan op onze website www.blackanddecker.nl om uw nieuwe BLACK+DECKER-product te registreren en om te worden geïnformeerd over nieuwe producten en speciale aanbiedingen. Verdere informatie over het merk BLACK+DECKER en onze producten vindt u op www.blackanddecker.nl.

Uso previsto

El destornillador BLACK+DECKER se ha diseñado para operaciones de atornillado. Esta herramienta está pensada únicamente para uso doméstico.

Instrucciones de seguridad

Advertencias de seguridad generales para herramientas eléctricas



¡Atención! Lea todas las advertencias e instrucciones de seguridad. En caso de no atenerse a las siguientes advertencias e instrucciones de seguridad, podría producirse una descarga eléctrica, incendio o lesión grave.

Guarde todas las advertencias e instrucciones para futuras consultas. El término "herramienta eléctrica" empleado en las advertencias a continuación hace referencia a la herramienta eléctrica con alimentación de red (con cable) o alimentada por batería (sin cable).

1. **Seguridad del área de trabajo**
 - a. **Mantenga limpia y bien iluminada el área de trabajo.** El desorden y una iluminación deficiente pueden provocar accidentes.
 - b. **No utilice la herramienta eléctrica en un entorno con peligro de explosión, en el que se encuentren líquidos, gases o material en polvo inflamables.** Las herramientas eléctricas producen chispas que pueden llegar a inflamar el polvo o los vapores.
 - c. **Cuando utilice la herramienta eléctrica, mantenga alejados a los niños y a otras personas del área de trabajo.** Una distracción le puede hacer perder el control del aparato.
2. **Seguridad eléctrica**
 - a. **El enchufe de la herramienta eléctrica debe corresponder a la toma de corriente utilizada. No modifique el enchufe. No emplee adaptadores en herramientas eléctricas dotadas con toma de tierra.** Estas pautas le ayudarán a reducir el riesgo de descargas eléctricas.
 - b. **Evite tocar partes conectadas a tierra como tuberías, radiadores, cocinas y refrigeradores.** El riesgo a quedar expuesto a una descarga eléctrica es mayor si su cuerpo tiene contacto con tierra.
 - c. **No esponga las herramientas eléctricas a la lluvia y evite que penetren líquidos en su interior,** ya que existe el peligro de recibir una descarga eléctrica.
 - d. **Cuide el cable de alimentación. No lo utilice para transportar o colgar la herramienta eléctrica, ni tire de él para extraer el enchufe de la toma de corriente. Manténgalo alejado del calor, aceite, bordes afilados o piezas móviles.** Los cables de red dañados o enredados incrementan el riesgo de descarga eléctrica.
 - e. **Si trabaja con la herramienta eléctrica en el exterior, utilice solamente cables de prolongación homologados para uso en exteriores.** Esto le ayudará a reducir el riesgo de descarga eléctrica.
 - f. **Si la utilización de una herramienta eléctrica en un lugar húmedo es inevitable, utilice una fuente protegida con un dispositivo de corriente residual (RCD).** La utilización de un RCD reduce el riesgo de sufrir descargas eléctricas.
3. **Seguridad personal**
 - a. **Esté atento a lo que hace y utilice la herramienta eléctrica con prudencia. No la use si está cansado, ni si se encuentra bajo los efectos del alcohol, drogas o medicamentos.** El no estar atento durante el uso de una herramienta eléctrica puede provocarle serias lesiones.

- b. Utilice material de protección personal. Utilice siempre gafas de protección.** El riesgo de lesiones se reduce considerablemente si se utiliza material de protección adecuado como una mascarilla antipolvo, zapatos de seguridad con suela antideslizante, casco o protectores auditivos.
- c. Impida que la herramienta se ponga en marcha accidentalmente. Asegúrese de que el interruptor de encendido/apagado se encuentra en la posición de apagado antes de conectar la herramienta a la fuente de alimentación o a la batería, o de coger o transportar la herramienta.** Transportar la herramienta eléctrica con el dedo sobre el interruptor o enchufarla con el interruptor encendido puede provocar accidentes.
- d. Retire las herramientas de ajuste o llaves fijas antes de conectar la herramienta eléctrica.** Una herramienta o llave colocada en una pieza giratoria de la herramienta eléctrica puede producir lesiones al ponerse a funcionar.
- e. Sea precavido. Evite adoptar una posición que fatigue su cuerpo; mantenga un apoyo firme sobre el suelo y conserve el equilibrio en todo momento.** Ello le permitirá controlar mejor la herramienta eléctrica en caso de presentarse una situación inesperada.
- f. Vístase con la ropa adecuada. No lleve ropa holgada ni joyas. Aleje el pelo, la ropa y los guantes de las piezas móviles.** La vestimenta holgada, las joyas y el pelo largo se pueden enganchar con las piezas en movimiento.
- g. Siempre que sea posible utilizar unos equipos de aspiración o captación de polvo, asegúrese de que éstos estén montados y se utilicen correctamente.** El empleo de equipos para la recogida del polvo reduce los riesgos relacionados con el polvo.
- 4. Uso y cuidado de herramientas eléctricas**
- a. No sobrecargue la herramienta eléctrica. Use la herramienta eléctrica adecuada para cada aplicación.** Con la herramienta eléctrica adecuada podrá trabajar mejor y más seguro dentro del margen de potencia indicado.
- b. No utilice herramientas eléctricas con un interruptor defectuoso.** Las herramientas eléctricas que no se puedan conectar o desconectar son peligrosas y deben repararse.
- c. Desconecte de la herramienta eléctrica el enchufe de la fuente de alimentación y de la batería antes de realizar cualquier ajuste, cambiar accesorios o guardar la herramienta.** Esta medida preventiva reduce el riesgo de encender accidentalmente la herramienta eléctrica.
- d. Guarde las herramientas eléctricas fuera del alcance de los niños y de las personas que no estén familiarizadas con su uso.** Las herramientas eléctricas utilizadas por personas inexpertas son peligrosas.
- e. Cuide sus herramientas eléctricas con esmero. Controle si funcionan correctamente, sin atascarse, las partes móviles de la herramienta eléctrica, y si existen partes rotas o deterioradas que pudieran afectar al funcionamiento de la herramienta. Si la herramienta eléctrica estuviese defectuosa, haga que la reparen antes de volver a utilizarla.** Muchos de los accidentes se deben a herramientas eléctricas con un mantenimiento deficiente.
- f. Mantenga las herramientas de corte limpias y afiladas.** Las herramientas de corte mantenidas correctamente se dejan guiar y controlar mejor.
- g. Utilice la herramienta eléctrica, los accesorios, los útiles de la herramienta, etc. de acuerdo con estas instrucciones, y tenga en cuenta las condiciones de trabajo y la tarea que se va a realizar.** El uso de herramientas eléctricas para trabajos diferentes de aquellos para los que han sido concebidas puede resultar peligroso.

5. Uso y cuidado de la batería

- a. **Recargue la batería sólo con el cargador especificado por el fabricante.** Un cargador que sea específico para un tipo de batería podría suponer un riesgo de incendio si se utiliza con otra batería.
- b. **Utilice herramientas eléctricas solamente cuando se especifique en la batería.** El uso de otras baterías puede suponer un riesgo de incendio y lesiones.
- c. **Cuando no se utilice la batería, manténgala alejada de objetos de metal como clips para papel, monedas, llaves, clavos, tornillos y otros pequeños objetos metálicos que pueden realizar una conexión de un terminal a otro.** Si provoca un cortocircuito entre los terminales de la batería, puede ocasionar un incendio o sufrir quemaduras.
- d. **En condiciones extremas, es posible que la batería expulse líquido; evite el contacto. En caso de tocarlo accidentalmente, enjuáguese con agua. Si el líquido entra en contacto con los ojos, solicite asistencia médica.** El líquido que expulsa la batería puede producir irritación o quemaduras.

6. Servicio técnico

- a. **Esta herramienta eléctrica sólo la puede reparar personal técnico autorizado que emplee exclusivamente piezas de repuesto originales.** Solamente así se garantiza la seguridad de la herramienta eléctrica.

Advertencias de seguridad adicionales para herramientas eléctricas



¡Atención! Advertencias de seguridad adicionales para destornilladores y llaves de percusión

- ◆ **Utilice protectores para los oídos con los taladros de percusión.** La exposición al ruido puede provocar una pérdida de audición.
- ◆ **Utilice las empuñaduras auxiliares suministradas con la herramienta.** La pérdida de control puede provocar lesiones.

- ◆ **Sujete la herramienta eléctrica por la superficie de agarre aislada cuando realice una operación en la que el elemento de sujeción pueda entrar en contacto con cableado oculto.** Si algún elemento de sujeción entra en contacto con un cable conectado a la red eléctrica, podría provocar que las partes metálicas de la herramienta eléctrica transmitieran esa electricidad y produjeran una descarga al usuario.
- ◆ **Utilice pinzas u otro método práctico para asegurar y sujetar la pieza de trabajo a una plataforma estable.** Si sujeta la pieza con la mano o apoyándola contra su cuerpo, la inestabilidad puede hacer que pierda el control.
- ◆ En este manual de instrucciones se describe el uso previsto. La utilización de accesorios o dispositivos auxiliares o la realización de operaciones distintas de las recomendadas en este manual de instrucciones para esta herramienta puede presentar un riesgo de lesiones personales y/o de daños materiales.



¡Atención! Las llaves de percusión no son llaves dinamométricas. No utilice esta herramienta para apretar elementos de fijación a pares especificados. Hay que utilizar un dispositivo calibrado e independiente de medición de pares, como una llave dinamométrica, en aquellos casos en los que apretar demasiado o demasiado poco los elementos de sujeción podría conllevar un fallo de la unión.

Seguridad de terceros

- ◆ Ninguna persona (incluyendo niños) con capacidades físicas, sensoriales o mentales disminuidas, o que carezca de experiencia y conocimientos, debe utilizar este aparato, salvo que haya recibido supervisión o formación con respecto al uso del aparato por parte de una persona responsable de su seguridad.
- ◆ Los niños deben vigilarse en todo momento para garantizar que el aparato no se toma como elemento de juego.

Riesgos residuales.

El uso de esta herramienta puede producir riesgos residuales adicionales no incluidos en las advertencias de seguridad adjuntas. Estos riesgos se pueden generar por un uso incorrecto, demasiado prolongado, etc.

El cumplimiento de las normas de seguridad correspondientes y el uso de dispositivos de seguridad no evitan ciertos riesgos residuales. Estos riesgos incluyen:

- ◆ Lesiones producidas por el contacto con piezas móviles o giratorias.
- ◆ Lesiones producidas al cambiar cualquier pieza, cuchilla o accesorio.
- ◆ Lesiones producidas al usar una herramienta por un tiempo demasiado prolongado. Si utiliza una herramienta durante períodos de tiempo demasiado prolongados, asegúrese de realizar pausas con frecuencia.
- ◆ Discapacidad auditiva.
- ◆ Riesgos para la salud producidos al respirar el polvo que se genera al usar la herramienta (por ejemplo: en los trabajos con madera, especialmente de roble, haya y tableros de densidad mediana).

Vibración

El valor de emisión de vibraciones indicado en el apartado de características técnicas y en la declaración de conformidad se ha calculado según un método de prueba estándar proporcionado por la norma EN 60745 y podrá utilizarse para comparar una herramienta con otra. El valor de emisión de vibraciones especificado también podrá utilizarse en una evaluación preliminar de la exposición.

¡Atención! El valor de emisión de vibraciones durante el funcionamiento real de la herramienta eléctrica puede diferir del valor declarado en función de cómo se utilice dicha herramienta. El nivel de las vibraciones puede superar el indicado.

Al evaluar la exposición a las vibraciones con el fin de determinar las medidas de seguridad que exige la norma 2002/44/CE para proteger a las personas que utilizan periódicamente herramientas eléctricas en el entorno laboral, deberá tenerse en cuenta una estimación de la exposición a las vibraciones, las condiciones de uso reales y el modo de empleo de la herramienta, así como los pasos del ciclo operativo como, por ejemplo, el número de veces que la herramienta se apaga, el tiempo que está parada y el tiempo de activación.

Etiquetas en la herramienta

Encontrará los siguientes símbolos en la herramienta:



¡Atención! Para reducir el riesgo de lesiones, el usuario debe leer el manual de instrucciones.

Instrucciones de seguridad adicionales para baterías y cargadores

Baterías

- ◆ No intente abrirlas bajo ningún concepto.
- ◆ No exponga las baterías al agua.
- ◆ No las almacene en lugares en los que la temperatura pueda superar los 40 °C.
- ◆ Realice la carga únicamente a una temperatura ambiente de entre 10 °C y 40 °C.
- ◆ Utilice únicamente el cargador suministrado con la herramienta para realizar la carga.
- ◆ Para desechar las pilas o las baterías, siga las instrucciones facilitadas en la sección "Protección del medio ambiente".

Cargadores

- ◆ Solo debe utilizar el cargador BLACK+DECKER para cargar la herramienta con la que se suministró. Si intenta cargar otras baterías, estas podrían explotar y provocar lesiones y daños materiales.
- ◆ Nunca intente cargar baterías no recargables.
- ◆ Sustituya los cables defectuosos inmediatamente.
- ◆ No exponga el cargador al agua.

- ◆ No abra el cargador.
- ◆ No aplique ningún dispositivo para medir la resistencia del cargador.



Este cargador está pensado únicamente para utilizarse en un lugar interior.



Antes de su uso, lea el manual de instrucciones.



Transformador de aislamiento a prueba de fallos. La red de suministro se separa eléctricamente de la salida del transformador.



Si la temperatura ambiente se eleva demasiado, el cargador se apagará automáticamente. Como consecuencia, el cargador dejará de funcionar. La unidad debe desconectarse de la red eléctrica y llevarse a un centro de servicio autorizado para su reparación.

Seguridad eléctrica



El cargador presenta un aislamiento doble; por lo tanto, no se requiere conexión a tierra. Cada vez que utilice el aparato, debe comprobar que el voltaje de la red eléctrica corresponde al valor indicado en la placa de características. No intente sustituir el cargador por un enchufe convencional para la red eléctrica.

- ◆ Si se daña el cable de alimentación, el fabricante o un centro de servicio de BLACK+DECKER autorizado deberán sustituirlo para evitar riesgos.

Aviso No intente sustituir el cargador por un enchufe convencional para la red eléctrica.

Características

Esta herramienta incluye parte o la totalidad de estas características.

1. Interruptor de encendido/apagado
2. Control deslizante de avance/retroceso
3. Portapuntas
4. Luz de trabajo LED
5. Cargador
6. Clavija del cargador
7. Conector de carga

Montaje

Colocación y extracción de puntas de destornilladores o brocas (fig. B)

Esta herramienta utiliza puntas de destornillador o brocas con vástago hexagonal de 6.35 mm (1/4").

- ◆ Para colocar una broca, introduzca el eje de la broca en el portapuntas (3).
- ◆ Para extraer la broca, retire el eje de la broca del portapuntas (3).

Nota: Es posible que el accesorio en ángulo recto que aparece en las figuras E-J no se incluya con su herramienta.

Uso

Aviso Deje que la herramienta funcione a su ritmo. No la sobrecargue.

- ◆ Antes de su primer uso, la batería debe cargarse durante un mínimo de 15 horas.

Carga de la batería (fig. C)

- ◆ Introduzca la clavija del cargador (6) en el conector del cargador (7).
- ◆ Enchufe el cargador (5).
- ◆ Deje la herramienta conectada al cargador durante 15 horas.

El cargador puede zumbar y calentarse durante la carga; es normal, no indica ningún problema.

Aviso Para cargar el CS3651LC solo debe utilizar el cargador que se incluye.

Aviso No cargue la batería a temperaturas ambiente inferiores a los 10 °C o superiores a los 40 °C.

Selección del sentido de la rotación (fig. D)

Para el roscado y el apriete de los tornillos, gire hacia delante. Para aflojar o retirar una broca atascada, gire hacia atrás.

- ◆ Para seleccionar el giro hacia delante, empuje el control deslizante de avance/retroceso (2) hasta la posición de avance.
- ◆ Para seleccionar el giro hacia atrás, empuje el control deslizante de avance/retroceso (2) hasta la posición de retroceso.
- ◆ Para bloquear la herramienta, coloque el control deslizante de avance/retroceso en la posición central.

Perforar/atornillar

- ◆ Seleccione el giro hacia delante o hacia atrás con el control deslizante de avance/retroceso (2).
- ◆ Para encender la herramienta, pulse el interruptor de encendido/apagado (1).
- ◆ Para apagar la herramienta, libere el interruptor de encendido/apagado (1).

Luz de trabajo LED

La luz de trabajo LED (4) se activa de forma automática al pulsar el gatillo. El LED también se ilumina cuando se pulsa el gatillo y el control deslizante de avance/retroceso (2) está en la posición de bloqueo (posición central).

Consejos por un uso óptimo

Atornillado

- ◆ Utilice siempre el tipo y tamaño adecuados de punta de destornillador.
- ◆ Si tiene dificultades para apretar los tornillos, pruebe a aplicar una pequeña cantidad de líquido de limpieza o jabón como lubricante.

- ◆ Utilice el cierre de eje para aflojar tornillos muy tensos o apretar bien los tornillos.
- ◆ Sujete la herramienta y la punta del destornillador en línea recta con el tornillo.
- ◆ Cuando atornille en madera, le recomendamos que practique un orificio piloto con una profundidad igual a la longitud del tornillo. El orificio piloto guía el tornillo e impide que se astille o se deforme la madera. Para conocer el tamaño óptimo del orificio piloto, consulte la siguiente tabla.
- ◆ Cuando atornille en madera dura, practique un orificio de paso con una profundidad equivalente a la mitad de la longitud del tornillo. Para conocer el tamaño óptimo del orificio de paso, consulte la siguiente tabla.

Tamaño del tornillo	Orificio piloto \varnothing (madera blanda)	Orificio piloto \varnothing (madera dura)	Orificio de paso
N.º 6 (3.5 mm)	2.0 mm	2.5 mm	3.6 mm
N.º 8 (4 mm)	2.5 mm	3.0 mm	4.5 mm
N.º 10 (5 mm)	3.0 mm	3.5 mm	5.0 mm

Perforación de orificios piloto

- ◆ Aplique siempre una ligera presión en línea recta con el tornillo.
- ◆ Justo antes de que la broca salga por el otro lado de la pieza de trabajo, reduzca la presión en la herramienta.
- ◆ Apoye en un bloque de madera las piezas de trabajo que se puedan astillar.
- ◆ Practique una hendidura con un punzón en el centro del orificio que vaya a realizar para mejorar la precisión.

Accesorios

El funcionamiento de la herramienta dependerá del accesorio que se utilice. Los accesorios BLACK+DECKER y Piranha están diseñados de acuerdo con normas de alta calidad y para mejorar el rendimiento de la herramienta. Con estos accesorios, sacará el máximo provecho a su herramienta.

Esta herramienta utiliza puntas de destornillador o brocas con vástago hexagonal de 1/4" (6.35 mm). Los accesorios Piranha Super-lok están diseñados para utilizarse con esta herramienta.

Mantenimiento

La herramienta BLACK+DECKER se ha diseñado para funcionar durante un largo período de tiempo con un mínimo de mantenimiento. El funcionamiento satisfactorio continuado depende de un cuidado apropiado y una limpieza periódica de la herramienta.

El cargador no requiere ningún mantenimiento especial excepto una limpieza periódica.

Aviso Antes de realizar el mantenimiento de la herramienta, como paso previo a la limpieza desconecte el cargador.

- ◆ Limpie de forma periódica las ranuras de ventilación de la herramienta y el cargador con un cepillo blando o un paño seco.
- ◆ Limpie periódicamente la carcasa del motor con un paño húmedo. No utilice limpiadores de base abrasiva o disolventes.
- ◆ Abra regularmente el portabrocas y golpéelo suavemente para eliminar los restos de polvo que haya en su interior.

Protección del medio ambiente



Recogida selectiva. Este producto no debe desecharse con los residuos domésticos normales.

Si llegase el momento en que fuese necesario sustituir su producto BLACK+DECKER o si este dejase de tener utilidad para usted, no lo deseche junto con los residuos domésticos. Sepárelo para su recogida selectiva.



La recogida selectiva de productos y embalajes usados permite el reciclaje de materiales y su reutilización.

La reutilización de materiales reciclados contribuye a evitar la contaminación medioambiental y reduce la demanda de materias primas.

Las normativas municipales deben ofrecer la recogida selectiva de productos eléctricos del hogar en puntos municipales previstos para tal fin o a través del distribuidor cuando adquiera un nuevo producto.

BLACK+DECKER proporciona facilidades para la recogida y reciclado de los productos BLACK+DECKER que han llegado al final de su vida útil. Para poder utilizar este servicio, le rogamos que entregue el producto a cualquier agente de servicio técnico autorizado para que se haga cargo de él en nuestro nombre.

Para consultar la dirección del agente de servicio técnico más cercano, póngase en contacto con la oficina local de BLACK+DECKER en la dirección que se indica en este manual. También encontrará una lista de los agentes de reparación BLACK+DECKER autorizados y todos los detalles de nuestro servicio de posventa en Internet en: www.2helpU.com

Baterías



Las piezas del interior del aparato no pueden ser reparadas por el usuario.

- ◆ Al final de la vida útil del producto, devuelva la unidad completa a su agente de servicio técnico o a un centro de reciclaje local para reciclar las baterías. No deseche la unidad junto con los residuos domésticos.

Datos técnicos

CS351LC (H1)		
Voltaje	V_{DC}	3.6
Velocidad sin carga	mín.^{-1}	180
Alto par de detención	Nm	5.84
Par máx.	Nm	5.0
Portapuntas	mm	6.35 (1/4")
Peso	kg	0.32

Batería 906146** H1		
Voltaje	V	3.6
Tipo de batería		iones de litio
Categoría AHR		1.5

Cargador 905450** H1		
Voltaje	V_{AC}	230
Tiempo de carga aprox.	h	15
Peso	kg	0.14

Nivel de presión sonora conforme a la norma EN 60745:	
Presión sonora (L_{pA})	60 dB(A), incertidumbre (K) 3 dB(A)
Potencia acústica (L_{WA})	71 dB(A), incertidumbre (K) 3 dB(A)

Valores totales de vibración (suma vectorial triaxial) de acuerdo con la norma EN 60745:	
Atornillado sin impacto ($a_{h,IS}$)	0.3 m/s^2 , incertidumbre (K) 1.5 m/s^2

Declaración de conformidad de CE

DIRECTIVA SOBRE MÁQUINAS



CS3651LC

Black & Decker declara que los productos descritos en

"datos técnicos" cumplen las normas:

2006/42/CE, EN 60745-1, EN 60745-2-2

Estos productos también cumplen con las Directivas 2014/30/UE y 2011/65/UE. Si desea obtener más información, póngase en contacto con Black & Decker a través de la siguiente dirección o consulte la contracubierta del manual.

La abajo firmante es responsable de la elaboración del expediente técnico y realiza esta declaración en nombre de Black & Decker.

R. Laverick
 Director de ingeniería
 Black & Decker Europa, 210 Bath Road, Slough,
 Berkshire, SL1 3YD
 Reino Unido
 23/10/2014

Garantía

Black & Decker confía en la calidad de sus productos y ofrece una garantía pendiente. Esta declaración de garantía es un añadido, y en ningún caso un perjuicio para sus derechos legales. La garantía es válida dentro de los territorios de los Estados miembros de la Unión Europea y de los de la Zona Europea de Libre Comercio.

Si un producto Black & Decker resultara defectuoso debido a materiales o mano de obra defectuosos o a la falta de conformidad, Black & Decker garantiza, dentro de los 24 meses de la fecha de compra, la sustitución de las piezas defectuosas, la reparación de los productos sujetos a un desgaste y rotura razonables o la sustitución de tales productos para garantizar al cliente el mínimo de inconvenientes, a menos que:

- ◆ El producto se haya utilizado con propósitos comerciales, profesionales o de alquiler.
- ◆ El producto se haya sometido a un uso inadecuado o negligente.
- ◆ El producto haya sufrido daños causados por objetos o sustancias extrañas o accidentes.
- ◆ Se hayan realizado reparaciones por parte de personas que no sean del servicio técnico autorizado o personal de servicios de Black & Decker.

Para reclamar en garantía, será necesario que presente la prueba de compra al vendedor o al agente de servicio técnico autorizado. Puede consultar la dirección de su agente de servicio técnico más cercano si se pone en contacto con la oficina local de Black & Decker en la dirección que se indica en este manual. Como opción alternativa, puede consultar la lista de agentes de servicio técnico autorizados de Black & Decker y obtener la información completa de nuestros servicios de posventa y los contactos disponibles en la siguiente dirección de Internet: www.2helpU.com

Visite nuestro sitio web www.blackanddecker.es para registrar su nuevo producto BLACK+DECKER y mantener actualizados los nuevos productos y ofertas especiales. Encontrará información adicional sobre la marca BLACK+DECKER y nuestra gama de productos en www.blackanddecker.es.

Utilização a que se destina

A sua aparafusadora BLACK+DECKER foi concebida para aparafusar parafusos. Esta ferramenta destina-se apenas a utilização doméstica.

Instruções de segurança

Avisos de segurança gerais para ferramentas eléctricas



Atenção! Leia com atenção todos os avisos de segurança e instruções. O não cumprimento dos seguintes avisos e instruções pode resultar em choque eléctrico, incêndio e/ou graves lesões.

Guarde todos os avisos e instruções para futura referência. A expressão "ferramenta eléctrica" utilizada a seguir refere-se a ferramentas eléctricas com ligação à corrente eléctrica (com cabo) ou com bateria (sem fios).

1. Segurança na área de trabalho

- a. **Mantenha a área de trabalho limpa e bem iluminada.** Áreas desarrumadas ou mal iluminadas são propícias a acidentes.
- b. **Não trabalhe com ferramentas eléctricas em áreas com risco de explosão, nas quais se encontrem líquidos, gases ou poeiras inflamáveis.** As ferramentas eléctricas produzem faíscas que podem provocar a ignição de poeiras ou vapores.
- c. **Mantenha crianças e outras pessoas afastadas durante a utilização da ferramenta eléctrica.** Distacções podem provocar perda de controlo do aparelho.

2. Segurança eléctrica

- a. **A ficha da ferramenta eléctrica deve caber na tomada. A ficha não deve ser modificada de modo algum. Não utilize quaisquer fichas adaptadoras em ferramentas eléctricas com ligação à terra.** Fichas sem modificações e tomadas adequadas reduzem o risco de choques eléctricos.

- b. **Evite que o corpo entre em contacto com superfícies ligadas à terra, como tubos, radiadores, fogões e frigoríficos.** Existe um risco elevado de choques eléctricos se o corpo estiver ligado à terra.
 - c. **As ferramentas eléctricas não podem ser expostas a chuva nem humidade.** A penetração de água na ferramenta eléctrica aumenta o risco de choques eléctricos.
 - d. **Manuseie o cabo com cuidado. O cabo não deve ser utilizado para transportar ou pendurar a ferramenta, nem para puxar a ficha da tomada. Mantenha o cabo afastado de calor, óleo, pontas afiadas ou partes móveis.** Cabos danificados ou torcidos aumentam o risco de choques eléctricos.
 - e. **Quando trabalhar com uma ferramenta eléctrica ao ar livre, utilize um cabo de extensão apropriado para esse fim.** A utilização de um cabo apropriado para áreas ao ar livre reduz o risco de choques eléctricos.
 - f. **Se for inevitável trabalhar com uma ferramenta eléctrica num local húmido, utilize um Dispositivo de Corrente Residual (RCD).** A utilização de um RCD reduz o risco de choque eléctrico.
- #### 3. Segurança pessoal
- a. **Mantenha-se atento, observe o que está a fazer e seja prudente ao trabalhar com uma ferramenta eléctrica. Não utilize uma ferramenta eléctrica se estiver cansado ou sob a influência de drogas, álcool ou medicamentos.** Um momento de falta de atenção enquanto trabalha com ferramentas eléctricas poderá resultar em lesões graves.
 - b. **Utilize equipamento de protecção pessoal. Utilize sempre óculos de protecção.** Equipamento de protecção como, por exemplo, máscara anti-poeiras, sapatos de segurança anti-derrapantes, capacete de segurança ou protecção auricular, de acordo com o tipo e a aplicação de ferramenta eléctrica, reduz o risco de lesões.

- c. **Evite arranques involuntários. Certifique-se de que o botão está desligado antes de ligar a ferramenta à corrente eléctrica e/ou a bateria, pegando ou transportando a ferramenta.**
Transportar ferramentas eléctricas com o dedo no botão ou ligar ferramentas eléctricas à tomada com o interruptor na posição de ligado pode dar origem a acidentes.
- d. **Retire eventuais chaves de ajuste ou chaves inglesas antes de ligar a ferramenta eléctrica.** Uma chave fixa ou qualquer outra chave ligada a uma peça rotativa da ferramenta eléctrica pode provocar lesões.
- e. **Não se incline. Mantenha-se sempre bem posicionado e em equilíbrio.** Assim, controlará melhor a ferramenta eléctrica em situações imprevistas.
- f. **Utilize vestuário adequado. Não utilize roupas largas nem jóias. Mantenha o cabelo, roupa e luvas afastados de peças em movimento.** Roupas largas, jóias ou cabelo comprido podem ser apanhados por partes móveis.
- g. **Se for prevista a montagem de dispositivos de extracção e recolha de pó, assegure-se de que estão ligados e que são utilizados de forma correcta.** A recolha das poeiras pode reduzir os riscos provocados por poeiras.
4. **Utilização e manutenção da ferramenta eléctrica**
- a. **Não sobrecarregue a ferramenta eléctrica. Utilize a ferramenta eléctrica adequada para o trabalho pretendido.** A ferramenta eléctrica correcta realizará o trabalho de forma melhor e mais segura, com a potência com que foi concebida.
- b. **Não utilize a ferramenta eléctrica se o interruptor não puder ser ligado nem desligado.** Qualquer ferramenta eléctrica que não possa ser controlada com o interruptor é perigosa e terá de ser reparada.
- c. **Desligue a ficha da tomada e/ou a bateria da tomada antes de proceder a ajustes, trocar acessórios ou guardar ferramentas eléctricas.** Estas medidas de prevenção de segurança reduzem o risco de ligação inadvertida da ferramenta eléctrica.
- d. **Mantenha as ferramentas eléctricas que não estiverem a ser utilizadas fora do alcance de crianças. Não permita que a ferramenta eléctrica seja utilizada por pessoas não familiarizadas com a mesma ou que não tenham lido estas instruções.** As ferramentas eléctricas são perigosas quando utilizadas por pessoas não qualificadas.
- e. **Efectue a manutenção das ferramentas eléctricas. Verifique se as partes móveis estão desalinhadas ou bloqueadas, se existem peças partidas ou qualquer outra situação que possa afectar o funcionamento das ferramentas eléctricas. As peças danificadas devem ser reparadas antes da utilização da ferramenta eléctrica.** Muitos acidentes são provocados por falta de manutenção das ferramentas eléctricas.
- f. **Mantenha as ferramentas de corte sempre afiadas e limpas.** Ferramentas de corte com a manutenção adequada e extremidades afiadas bloqueiam com menos frequência e são mais fáceis de controlar.
- g. **Utilize a ferramenta eléctrica, acessórios e peças de ferramenta de acordo com estas instruções, considerando as condições de trabalho e a tarefa a ser executada.** A utilização da ferramenta eléctrica para fins diferentes dos previstos pode resultar em situações perigosas.
5. **Utilização e manutenção da bateria**
- a. **Carregue apenas com o carregador especificado pelo fabricante.** Um carregador adequado para um tipo de bateria pode dar origem a risco de incêndio quando utilizado com outro tipo de bateria.
- b. **Utilize ferramentas eléctricas apenas com baterias específicas.** A utilização de outras baterias pode dar origem a risco de danos e incêndio.
- c. **Quando uma bateria não estiver a ser utilizada, mantenha-a afastada de outros objectos metálicos como, por exemplo, cliques, moedas, chaves, pregos, parafusos ou outros pequenos objectos metálicos que possam fazer ligação de um terminal a outro.** O curto-circuito de terminais de bateria pode causar queimaduras ou incêndio.

- d. **Sob condições exageradas, a bateria pode verter líquido – evite o contacto. Se ocorrer um contacto accidental, lave em abundância com água. Se o líquido entrar em contacto com os olhos, procure assistência médica.** O líquido vertido da bateria pode causar irritação ou queimaduras.

6. Reparação

- a. **A sua ferramenta eléctrica só deve ser reparada por pessoal qualificado e só devem ser colocadas peças sobressalentes originais.** Isso garante a manutenção da segurança da ferramenta eléctrica.

Avisos de segurança adicionais para ferramentas eléctricas



Aviso! Avisos de segurança adicionais para aparafusadoras e chaves de fenda de percussão

- ◆ **Utilize protecção auditiva com berbequins de percussão.** A exposição a ruídos pode causar perdas auditivas.
- ◆ **Utilize o punho auxiliar fornecido com a ferramenta.** A perda de controlo pode provocar ferimentos.
- ◆ **Segure a ferramenta eléctrica pelas áreas isoladas quando executar uma operação em que o fixador possa entrar em contacto com a cablagem oculta..** Os fixadores em contacto com um cabo "electrificado" poderão expor peças metálicas do sistema eléctrico da ferramenta e provocar um choque eléctrico ao operador.
- ◆ **Utilize grampos ou outro meio para fixar e apoiar a peça numa plataforma estável.** Segurar na peça manualmente ou apoiá-la no seu corpo torna-a instável, podendo originar a perda de controlo.
- ◆ A utilização a que se destina é descrita neste manual de instruções. A utilização de qualquer acessório ou a realização de qualquer operação com este aparelho que não se inclua no presente manual de instruções poderá representar um risco de ferimentos pessoais e/ou danos materiais.



Aviso! As chaves de fenda de percussão não são chaves de fenda de aperto. Não utilize esta ferramenta para apertar fixadores segundo binários especificados. Deverá ser utilizado um dispositivo de medição de binário independente, como uma chave de fenda de aperto, quando o aperto insuficiente ou excessivo de fixadores for passível de originar a falha das junções.

Segurança de terceiros

- ◆ Este aparelho não deve ser utilizado por pessoas (incluindo crianças) que apresentem capacidades físicas, sensoriais ou mentais reduzidas ou que não possuam os conhecimentos e a experiência necessários, excepto se forem vigiadas e instruídas acerca da utilização do aparelho por uma pessoa responsável pela sua segurança.
- ◆ As crianças deverão ser vigiadas para que não mexam no aparelho.

Riscos residuais.

Podem surgir riscos residuais adicionais durante a utilização da ferramenta que poderão não constar nos avisos de segurança incluídos. Estes riscos podem resultar de má utilização, uso prolongado, etc.

Mesmo com a aplicação dos regulamentos de segurança relevantes e com a implementação de dispositivos de segurança, alguns riscos residuais não podem ser evitados. Incluem:

- ◆ ferimentos causados pelo contacto com peças em rotação/movimento.
- ◆ ferimentos causados durante a troca de peças, lâminas ou acessórios.
- ◆ ferimentos causados pela utilização prolongada de uma ferramenta. Quando utilizar uma ferramenta por períodos prolongados, faça intervalos regulares.
- ◆ Diminuição da audição.
- ◆ Os problemas de saúde causados pela inalação de poeiras resultantes da utilização da ferramenta (exemplo: trabalhos em madeira, especialmente carvalho, faia e MDF).

Vibração

Os valores de emissão de vibração declarados na secção de dados técnicos e na declaração de conformidade foram medidos de acordo com o método de teste padrão fornecido pela norma EN 60745 e podem ser utilizados para comparar ferramentas. O valor de emissão de vibração declarado pode ainda ser utilizado numa avaliação preliminar de exposição.

Atenção! O valor de emissão de vibração durante a utilização real da ferramenta eléctrica pode ser diferente do valor declarado, dependendo da forma como a ferramenta é utilizada. O nível de vibração pode aumentar acima do nível indicado.

Quando avaliar a exposição da vibração para determinar as medidas de segurança exigidas pela norma 2002/44/CE para proteger pessoas que utilizem regularmente ferramentas eléctricas na sua actividade profissional, deve ser considerada uma estimativa de exposição de vibração, as actuais condições de utilização e o modo de utilização da ferramenta, incluindo ainda todas as partes do ciclo de funcionamento, como os períodos de inactividade e espera da ferramenta, para além do tempo de funcionamento.

Rótulos na ferramenta

A ferramenta apresenta os seguintes símbolos:



Atenção! Para reduzir o risco de ferimentos, o utilizador deve ler o manual de instruções.

Instruções de segurança adicionais para baterias e carregadores

Baterias

- ◆ Nunca tente abrir a bateria por motivo algum.
- ◆ Não exponha a bateria à água.
- ◆ Não as armazene em locais onde a temperatura possa exceder os 40 °C.
- ◆ Carregue apenas a temperaturas ambiente entre 10 °C e 40 °C.

- ◆ Carregue apenas com o carregador fornecido com a ferramenta.
- ◆ Quando eliminar as baterias, siga as instruções da secção "Protecção do ambiente".

Carregadores

- ◆ Utilize o seu carregador BLACK+DECKER apenas para carregar a bateria da ferramenta com que foi fornecido. Outras baterias podem rebentar, provocando ferimentos e danos.
- ◆ Nunca tente carregar baterias não recarregáveis.
- ◆ Substitua os cabos defeituosos imediatamente.
- ◆ Não exponha o carregador à água.
- ◆ Não abra o carregador.
- ◆ Não manipule o interior do carregador.



O carregador deverá ser utilizado apenas em espaços interiores.



Antes da utilização, leia o manual de instruções.



Transformador isolador de falhas. A corrente encontra-se electricamente separada da saída do transformador.



Se a temperatura ambiente for demasiado elevada, o carregador é automaticamente desligado. Em resultado, o carregador não poderá ser utilizado. A unidade deverá ser desligada da corrente e levada a um centro de assistência autorizado para reparação.

Segurança eléctrica



O seu carregador tem isolamento duplo. Por esse motivo, não precisa de ligação à terra. Verifique sempre se a tensão de alimentação corresponde à tensão indicada na placa de especificações. Nunca tente substituir a unidade do carregador por uma tomada normal de alimentação.

- ◆ Se o cabo de alimentação estiver danificado, terá de ser substituído pelo fabricante ou por um Centro de Assistência autorizado BLACK+DECKER, de modo a evitar lesões.

Atenção! Nunca tente substituir a unidade do carregador por uma tomada normal de alimentação.

Características

Esta ferramenta inclui algumas ou todas as características seguintes.

1. Interruptor ligar/desligar
2. Corrediça de avanço/recuo
3. Suporte da broca
4. Luz de trabalho LED
5. Carregador
6. Ficha do carregador
7. Conector de carregamento

Montagem

Instalar e remover uma broca de perfuração ou uma broca de aparafusadora (fig. B)

Esta ferramenta utiliza brocas de aparafusadora e brocas de perfuração com uma haste hexagonal de 6.35 mm (1/4").

- ◆ Para instalar uma broca, insira o respectivo veio no suporte da broca (3).
- ◆ Para remover uma broca, retire o respectivo veio do suporte da broca (3).

Nota: O acessório em ângulo recto apresentado na fig. E-J poderá não ser incluído com a sua ferramenta.

Utilização

Atenção! Não altere o ritmo de funcionamento da ferramenta. Não a sobrecarregue.

- ◆ Antes da primeira utilização, a bateria deverá ser carregada durante pelo menos 15 horas.

Carregamento da bateria (fig. C)

- ◆ Insira a ficha do carregador (6) no conector de carregamento (7).
- ◆ Ligue o carregador (5) à corrente.

- ◆ Deixe a ferramenta ligada ao carregador durante 15 horas.

O carregador poderá emitir um zumbido e aquecer durante o carregamento. Este comportamento é normal, não indicando um problema.

Atenção! Utilize sempre o carregador fornecido para carregar o CS3651LC.

Atenção! Não carregue a bateria a uma temperatura ambiente inferior a 10 °C ou superior a 40 °C.

Seleccionar o sentido de rotação (fig. D)

Para perfurar ou apertar parafusos, utilize a rotação de avanço. Para desapertar parafusos ou remover uma broca de perfuração encravada, utilize a rotação de recuo.

- ◆ Para seleccionar a rotação de avanço, empurre a corrediça de avanço/recuo (2) para a posição de avanço.
- ◆ Para seleccionar a rotação de recuo, empurre a corrediça de avanço/recuo (2) para a posição de recuo.
- ◆ Para bloquear a ferramenta, coloque a corrediça de avanço/recuo na posição central.

Perfurar/aparafusar

- ◆ Selecciona a rotação de avanço ou recuo utilizando a corrediça de avanço/recuo (2).
- ◆ Para ligar a ferramenta, prima o interruptor ligar/desligar (1).
- ◆ Para desligar a ferramenta, liberte o interruptor ligar/desligar (1).

Luz de trabalho LED

A luz de trabalho LED (4) é activada automaticamente quando o gatilho é premido. O LED iluminar-se-á também quando o gatilho for premido e a corrediça de avanço/recuo (2) se encontrar na posição de bloqueio (posição central).

Sugestões para uma utilização óptima

Aparafusar

- ◆ Utilize sempre o tipo e tamanho correctos de brocas de aparafusadora.

- ◆ Se tiver dificuldade em apertar os parafusos, utilize um pouco de detergente ou sabão como lubrificante.
- ◆ Utilize o travão do veio para desapertar os parafusos muito apertados ou para apertar parafusos com firmeza.
- ◆ Segure sempre na ferramenta e na broca de aparafusadora alinhadas com o parafuso.
- ◆ Ao aparafusar em madeira, é recomendado perfurar um orifício piloto com uma profundidade igual ao comprimento do parafuso. O orifício piloto orienta o parafuso, evitando lascas ou distorcer a madeira. Para otimizar o tamanho do orifício piloto, consulte a tabela seguinte.
- ◆ Ao aparafusar em madeira dura, perfure também um orifício de desobstrução com uma profundidade igual a metade do comprimento do parafuso. Para otimizar o tamanho do orifício de desobstrução, consulte a tabela seguinte.

Tamanho do parafuso	Ø orifício piloto (madeira macia)	Ø orifício piloto (madeira dura)	Orifício de desobstrução
N.º 6 (3.5 mm)	2.0 mm	2.5 mm	3.6 mm
N.º 8 (4 mm)	2.5 mm	3.0 mm	4.5 mm
N.º 10 (5 mm)	3.0 mm	3.5 mm	5.0 mm

Perfurar orifícios piloto

- ◆ Aplique sempre uma pressão ligeira alinhada com a broca de perfuração.
- ◆ Assim que a ponta da broca estiver prestes a furar até ao outro lado da peça de trabalho, reduza a pressão na ferramenta.
- ◆ Utilize um bloco de madeira para reforçar as peças de trabalho que possam lascas.
- ◆ Faça um entalhe utilizando um punção central no centro do orifício a perfurar, de modo a aumentar a precisão.

Acessórios

O desempenho da sua ferramenta depende do acessório utilizado. Os acessórios BLACK+DECKER e Piranha são criados de acordo com elevados padrões de qualidade, sendo concebidos para melhorar o desempenho da sua ferramenta. Utilizando estes acessórios, tirará o melhor partido da sua ferramenta.

Esta ferramenta utiliza brocas de aparafusadora com uma haste hexagonal de 1/4" (6.35 mm). Os acessórios Piranha Super-lok foram concebidos para serem utilizados com esta ferramenta.

Manutenção

A sua ferramenta BLACK+DECKER foi concebida para funcionar durante muito tempo, com um mínimo de manutenção. Um funcionamento contínuo e satisfatório depende de uma manutenção adequada e da limpeza regular da ferramenta.

O seu carregador não necessita de manutenção para além da limpeza regular.

Atenção! Antes de efectuar qualquer tarefa de manutenção da ferramenta, desligue o carregador antes de o limpar.

- ◆ Limpe regularmente as ranhuras de ventilação da ferramenta e do carregador utilizando uma escova suave ou um pano seco.
- ◆ Limpe regularmente o compartimento do motor com um pano húmido. Não utilize nenhum produto de limpeza abrasivo ou a base de solvente.
- ◆ Abra o mandril regularmente e sacuda para remover qualquer vestígio de pó do seu interior.

Protecção do ambiente



Recolha separada. Este produto não deverá ser eliminado com o lixo doméstico.

Se, em algum momento, for necessário substituir este produto BLACK+DECKER ou se este deixar de ter utilidade, não elimine o produto num caixote do lixo. Este produto pode ser separado para reciclagem.



A recolha separada de produtos e embalagens usados permite que os materiais sejam reciclados e reutilizados.

A reutilização de materiais reciclados ajuda a evitar a poluição ambiental e reduz a procura de matérias-primas.

A legislação local poderá prever a recolha separada de produtos domésticos eléctricos, seja em lixeiras municipais ou através do revendedor quando adquira um produto novo.

A BLACK+DECKER dispõe de instalações para recolha e reciclagem de produtos BLACK+DECKER quando estes atingem o fim da vida útil. Para usufruir deste serviço, devolva o produto em qualquer agente de reparação autorizado, que os recolherá em seu nome.

Pode verificar a localização do agente de reparação autorizado mais perto de si, contactando os escritórios locais da BLACK+DECKER através do endereço indicado neste manual. Em alternativa, encontra-se disponível na Internet uma lista de agentes de reparação autorizados BLACK+DECKER, bem como os contactos e detalhes completos do serviço pós-venda, em: www.2helpU.com

Baterias



Não existem peças para manutenção pelo utilizador no interior.

- ◆ No final da vida útil do produto, entregue a unidade completa ao seu agente ou a uma estação de reciclagem local para que a bateria seja reciclada. Não elimine a unidade juntamente com o lixo doméstico.

Dados técnicos

CS351LC (H1)		
Tensão	V_{DC}	3.6
Velocidade sem carga	min^{-1}	180
Binário de paragem	Nm	5.84
Binário máx.	Nm	5.0
Suporte da broca	mm	6.35 (1/4")
Peso	kg	0.32

Bateria 906146** H1		
Tensão	V	3.6
Tipo de bateria	lões de lítio	
Classificação AHR	1.5	

Carregador 905450** H1		
Tensão	V_{AC}	230
Tempo de carregamento aprox.	h	15
Peso	kg	0.14

Nível de pressão acústica, de acordo com a norma EN 60745:	
Pressão acústica (L_{pA})	60 dB(A), variabilidade (K) 3 dB(A)
Potência acústica (L_{WA})	71 dB(A), imprecisão (K) 3 dB(A)

Valores totais de vibração (soma vectores triax) de acordo com a norma EN 60745:	
Aparafusar sem impacto ($a_{n,IS}$)	0.3 m/s^2 , variabilidade (K) 1.5 m/s^2

Declaração de conformidade CE

DIRECTIVA SOBRE MAQUINARIA



CS3651LC

A Black & Decker declara que os produtos descritos nos "dados técnicos" estão em conformidade com:

2006/42/CE, EN 60745-1, EN 60745-2-2

Estes produtos estão também em conformidade com a Directiva 2014/30/UE e 2011/65/UE. Para obter mais informações, contacte a Black & Decker no endereço indicado em seguida ou consulte a parte posterior do manual.

O signatário é responsável pela compilação do ficheiro técnico, fazendo esta declaração em nome da Black & Decker.

R. Laverick
Director de Engenharia
Black & Decker Europe, 210 Bath Road, Slough,
Berkshire, SL1 3YD
Reino Unido
23/10/2014

Garantia

A Black & Decker confia na qualidade dos seus produtos e oferece uma garantia ímpar. Esta declaração de garantia é um complemento dos seus direitos estabelecidos por lei, não os prejudicando de forma alguma. A garantia é válida nos territórios dos Estados Membros da União Europeia e da Associação Europeia de Comércio Livre.

Se um produto Black & Decker avariar devido a defeitos de material, fabrico ou não conformidade, num período de 24 meses após a data da compra, a Black & Decker garante a substituição das peças defeituosas, a reparação de produtos sujeitos a um desgaste aceitável ou a substituição dos mesmos para garantir o mínimo de inconvenientes ao cliente, excepto se:

- ◆ o produto tiver sido utilizado para fins comerciais, profissionais ou de aluguer;
- ◆ o produto tiver sido submetido a utilização indevida ou negligência;
- ◆ o produto tiver sido danificado por objectos ou substâncias estranhos, bem como acidentes;
- ◆ tiverem sido tentadas reparações por pessoas que não sejam agentes de reparação autorizados ou técnicos de manutenção da Black & Decker.

Para accionar a garantia, terá de apresentar comprovativos de compra ao vendedor ou a um agente de reparação autorizado. Pode verificar a localização do agente de reparação autorizado mais perto de si, contactando os escritórios locais da Black & Decker através do endereço indicado neste manual. Se preferir, poderá consultar na Internet uma lista de agentes de manutenção autorizados Black & Decker, bem como os detalhes completos e contactos do serviço pós-venda, no endereço: www.2helpU.com

Visite o website www.blackanddecker.pt para registar o seu novo produto BLACK+DECKER e para se manter actualizado sobre novos produtos e ofertas especiais. Pode encontrar mais informações sobre a marca BLACK+DECKER e a nossa gama de produtos em www.blackanddecker.pt

Användningsområde

Denna batteridrivna skruvdragare från BLACK+DECKER är avsedd för skruvdragning. Verktøget är endast avsett som konsumentverktøg.

Säkerhetsanvisningar

Allmänna säkerhetsanvisningar för elverktøg



Varning! Läs alla säkerhetsanvisningar och alla anvisningar. Fel som uppstår till följd av att säkerhetsanvisningarna och anvisningarna nedan inte följts kan orsaka elstötar, brand och/eller allvarliga kroppsskador.

Spara alla säkerhetsanvisningar och anvisningar för framtida bruk. Begreppet "elverktøg" nedan syftar på nätdrivna elverktøg (med nätsladd) och batteridrivna elverktøg (sladdlösa).

1. Säkerhet i arbetsområdet

- a. **Håll arbetsområdet rent och väl upplyst.** Oordning och dålig belysning på arbetsplatsen kan leda till olyckor.
- b. **För att undvika explosionsrisk bör du inte använda elverktøget i omgivning med brännbara vätskor, gaser eller damm.** Elverktøg alstrar gnistor som kan antända dammet eller gaserna.
- c. **Håll barn och andra personer på betryggande avstånd när du använder elverktøg.** Om du störs kan du förlora kontrollen.


2. Elsäkerhet

- a. **Elverktøgets stickkontakt måste passa i eluttaget. Stickkontakten får absolut inte ändras. Använd inte adapterkontakter tillsammans med jordade elverktøg.** Med oförändrade stickkontakter och passande vägguttag minskas risken för elstötar.
- b. **Undvik kroppskontakt med jordade ytor som t.ex. rör, värmeelement, spisar och kylskåp.** Det finns en större risk för elstötar om din kropp är jordad.

- c. **Skydda elverktøget mot regn och väta.** Om vatten tränger in i ett elverktøg ökar risken för elektriska stötar.
- d. **Hantera inte nätsladden ovarsamt. Använd inte sladden för att bära eller dra elverktøget och inte heller för att dra ut kontakten ur vägguttaget. Håll nätsladden borta från värme, olja, skarpa kanter och rörliga maskindelar.** Risken att du får en elstöt är större om sladdarna är skadade eller tilltrasslade.
- e. **Använd endast förlängningssladdar som är godkända för utomhusbruk när du arbetar med elverktøg utomhus.** Om du använder en förlängningssladd som är avsedd för utomhusbruk minskar risken för att du ska få en elstöt.
- f. **Om du måste använda ett elverktøg på en fuktig plats ska du använda jordfelsbrytare.** Jordfelsbrytaren minskar risken för stötar.

3. Personlig säkerhet

- a. **Var uppmärksam, se på vad du gör och använd elverktøget med förnuft. Använd inte elverktøget när du är trött eller om du är påverkad av droger, alkohol eller mediciner.** Under användning av elverktøg kan även en kort ouppmärksamhet leda till allvarliga kroppsskador.
- b. **Använd skyddsutrustning. Bär alltid skyddsglasögon.** Den personliga skyddsutrustningen, t.ex. dammfiltermask, halkfria säkerhetsskor, hjälm och hörselskydd, minskar risken för kroppsskada när den används vid rätt tillfällen.
- c. **Undvik oavsiktlig igångsättning. Kontrollera att strömbrytaren står i avstängt läge innan du ansluter verktøget till elnätet eller sätter i batteriet samt innan du tar upp eller bär verktøget.** Det kan vara mycket farligt att bära ett elverktøg med fingret på strömbrytaren eller koppla det till nätet respektive sätta i batteriet med strömbrytaren i till-läge.
- d. **Ta bort alla inställningsverktøg och skruvnycklar innan du startar elverktøget.** Ett verktøg eller en nyckel i en roterande komponent kan medföra kroppsskada.

- e. **Sträck dig inte för långt. Se till att du alltid har säkert fotfäste och balans.** På så sätt kan du lättare kontrollera elverktyget i oväntade situationer.
- f. **Bär lämpliga kläder. Bär inte löst hängande kläder eller smycken. Håll undan hår, kläder och handskar från rörliga delar.** Löst hängande kläder, smycken och långt hår kan dras in av roterande delar.
- g. **Om elverktyget har utrustning för dammsugning och -uppsamling ska du kontrollera att utrustningen är rätt monterad och används på korrekt sätt.** Utrustningen kan minska riskerna när damm bildas.
4. **Bruk och skötsel av elverktyg**
- a. **Överbelasta inte elverktyget. Använd rätt elverktyg för det aktuella arbetet.** Med rätt elverktyg kan du arbeta bättre och säkrare med det som verktyget är avsett för.
- b. **Använd inte elverktyget om det inte går att starta och stänga av det med strömbrytaren.** Ett elverktyg som inte kan startas och stängas av med strömbrytaren är farligt och måste repareras.
- c. **Dra ut stickproppen ur vägguttaget och/eller ta ut batteriet ur elverktyget innan inställningar utförs, tillbehör byts eller elverktyget ställs undan.** Denna säkerhetsåtgärd förhindrar oavsiktlig start av elverktyget.
- d. **Förvara elverktyg utom räckhåll för barn. Låt inte elverktyget användas av personer som inte är vana vid det, eller som inte läst denna bruksanvisning.** Elverktyg är farliga om de används av oerfarna personer.
- e. **Sköt elverktyget omsorgsfullt. Kontrollera att rörliga komponenter fungerar felfritt och inte kärvar, att komponenter inte gått sönder eller skadats och inget annat föreligger som kan påverka elverktygets funktion. Om elverktyget är skadat ska du se till att få det reparerat innan det används.** Många olyckor orsakas av dåligt skötta elverktyg.
- f. **Håll skärverktyg vassa och rena.** Omsorgsfullt skötta skärverktyg med skarp egg fastnar inte så lätt och går lättare att styra.
- g. **Använd elverktyget, tillbehör, insatsverktyg osv. enligt dessa anvisningar och på sätt som föreskrivits för aktuell verktygsmodell. Ta hänsyn till arbetsvillkoren och arbetsmomenten.** Om elverktyget används på icke ändamålsenligt sätt kan farliga situationer uppstå.
5. **Användning och skötsel av elverktyg**
- a. **Ladda endast med hjälp av den laddare som tillverkaren rekommenderar.** En laddare som passar till en viss sorts batteri kan orsaka eldsvåda om den används med en annan sort.
- b. **Använd elverktyget endast med batterier som är speciellt avsedda för ändamålet.** Användning av andra batterier kan leda till personskador eller eldsvåda.
- c. **När batteriet inte används ska du hålla det åtskilt från metallföremål som gem, mynt, nycklar, spik, skruvar och andra små metallföremål som kan orsaka kortslutning mellan batteriets poler.** Kortslutning av batteripolerna kan leda till brännskador eller eldsvåda.
- d. **Om batteriet hanteras ovarsamt kan det tränga ut vätska från batteriet. Undvik kontakt med vätskan. Om du ändå råkar komma i kontakt med vätskan ska du skölja med vatten. Uppsök läkare om du får vätskan i ögonen.** Batterivätska kan orsaka irritation eller brännskador.
6. **Service**
- a. **Elverktyget ska bara repareras av utbildade reparatörer och med originalreservdelar.** Detta säkerställer att elverktyget förblir säkert.
- Ytterligare säkerhetsanvisningar för elverktyg**
-  **Varning!** Ytterligare säkerhetsanvisningar för skruvdragare och slagskruvdragare
- ◆ **Bär hörselskydd när du använder slagborrar.** Om du utsätts för höga ljud kan din hörsel bli nedsatt.

- ◆ **Använd de extrahandtag som medföljer verktyget.** Om du förlorar kontrollen över verktyget kan du skada dig själv eller andra.
- ◆ **Håll verktyget i de isolerade greppytorna vid arbete där fästanordningen riskerar att komma i kontakt med dolda elledningar..** Om fästanordningar får kontakt med strömförande ledningar kan verktygets metalldelar bli strömförande och ge dig en elektrisk stöt.
- ◆ **Fäst arbetsstycket vid ett stabilt underlag med tvingar eller på något annat lämpligt sätt.** Om du håller fast arbetsstycket med handen eller trycker det mot kroppen blir det instabilt och du kan förlora kontrollen.
- ◆ Användningsområdet beskrivs i den här bruksanvisningen. Om verktyget används på något annat sätt, eller med andra tillbehör än vad som rekommenderas i den här bruksanvisningen, kan personer och/eller egendom skadas.



Varning! Slagskruvdragare är inte momentnycklar. Använd inte det här verktyget för att dra åt fästanordningar till ett angivet vridmoment. En särskild, kalibrerad enhet för mätning av vridmoment som en momentnyckel ska användas när för liten åtdragning eller för stor åtdragning av fästanordningar kan leda till att fogen brister.

Säkerhet för andra

- ◆ Apparaten ska inte användas av personer (inklusive barn) med nedsatt fysisk eller psykisk förmåga eller bristande erfarenhet och kunskap, om de inte får vägledning och övervakas av en person som ansvarar för deras säkerhet.
- ◆ Barn ska hållas under uppsikt så att de inte leker med verktyget.

Övriga risker.

Ytterligare risker som inte finns med i de bifogade säkerhetsanvisningarna kan uppstå när verktyget används. Dessa risker kan uppstå vid felaktig användning, långvarig användning, o.s.v.

Även om alla relevanta säkerhetsanvisningar följs och säkerhetsanordningar används kan vissa ytterligare risker inte undvikas. Dessa innefattar:

- ◆ Skador orsakade av att roterande/rörliga delar vidrörs.
- ◆ Skador som uppstår vid byte av delar, blad eller tillbehör.
- ◆ Skador som orsakas av långvarig användning av ett verktyg. Se till att ta regelbundna raster när du använder ett verktyg under en längre period.
- ◆ Skador på hörseln.
- ◆ Hälsorisker orsakade av inandning av damm när verktyget används (exempel: arbete med trä, särskilt ek, bok och MDF).

Vibrationer

De vibrationsvärden som anges i avsnitten Tekniska data och EG-deklarationen om överensstämmelse har uppmätts i enlighet med en standardtestmetod föreskriven i EN 60745 och kan användas för jämförelse med andra verktyg. Det angivna vibrationsvärdet kan även användas för en preliminär bedömning av exponeringen.

Varning! Vibrationsvärdet under faktisk användning av elverktyget kan skilja sig från det uppgivna värdet beroende på hur verktyget används. Vibrationsnivån kan överstiga den uppgivna nivån.

Vid uppskattning av vibrationsexponering i syfte att bedöma vilka säkerhetsåtgärder som är nödvändiga enligt 2002/44/EG för att skydda personer som regelbundet använder elverktyg i arbetet ska man utgå från de faktiska omständigheter under vilka elverktyget används och sättet på vilket det används. Bedömningen ska även ta hänsyn till alla moment i arbetscykeln, t.ex. när verktyget är avstängt och när det går på tomgång såväl som när det faktiskt används.

Etiketter på verktyget

Följande symboler finns på verktyget:



Varning! Läs bruksanvisningen före användning för att minska risken för olyckor.

Ytterligare säkerhetsinstruktioner för batterier och laddare

Batterier

- ◆ Försök aldrig att öppna batterierna.
- ◆ Utsätt inte batteriet för vatten.
- ◆ Förvara inte på platser där temperaturen kan bli högre än 40 °C.
- ◆ Ladda endast vid temperaturer mellan 10 °C och 40 °C.
- ◆ Ladda endast med hjälp av laddare som medföljer verktyget.
- ◆ Följ instruktionerna i avsnittet "Miljö" när du gör dig av med batterier.

Laddare

- ◆ Laddaren från BLACK+DECKER får bara användas för att ladda batteriet i det verktyg som laddaren levererades med. Andra batterier kan spricka och orsaka personskador och andra skador.
- ◆ Försök aldrig ladda batterier som inte är uppladdningsbara.
- ◆ Byt defekta sladdar omgående.
- ◆ Utsätt inte laddaren för vatten.
- ◆ Öppna inte laddaren.
- ◆ Gör ingen åverkan på laddaren.



Laddaren är endast avsedd för användning inomhus.



Läs den här bruksanvisningen före användning.



Helsäker isoleringstransformator. Elnätet är elektriskt separerat från transformatorns utgång.



Laddaren stängs av automatiskt om temperaturen blir för hög. Den går då inte längre att använda. Enheten måste kopplas från eluttaget och tas till en auktoriserad verkstad för reparation.

Elsäkerhet



Eftersom laddaren är dubbelisolerad behövs ingen jordledare. Kontrollera alltid att nätspänningen överensstämmer med värdet på typskylten. Försök aldrig byta ut kontakten till laddaren mot en vanlig kontakt.

- ◆ Om nätssladden är skadad måste den bytas ut av tillverkaren eller en auktoriserad BLACK+DECKER-verkstad för att undvika fara.

Varning! Försök aldrig byta ut kontakten till laddaren mot en vanlig kontakt.

Funktioner

Det här verktyget har några eller samtliga av följande funktioner:

1. Strömbrytare
2. Framåt-/bakåttreglage
3. Bitshållare
4. LED-arbetsbelysning
5. Laddare
6. Laddarkontakt
7. Laddningsuttag

Montering

Montera och ta bort en borrar- eller skruvbit (fig. B)

Detta verktyg använder skruv- och borrarbits med sexkantsfattning i storleken 6.35 mm (1/4 tum).

- ◆ En bit monteras genom att du för in dess skaft i hållaren (3).
- ◆ En skruvbit tas bort genom att du drar ut dess skaft ur hållaren (3).

Obs! Vinkeltillbehöret som visas i fig. E-J kanske inte medföljer ditt verktyg.

Användning

Varning! Låt redskapet arbeta i sin egen takt. Överbelasta det inte.

- ◆ Innan första användningen måste batteriet laddas i minst 15 timmar.

Ladda batteriet (fig. C)

- ◆ När du ska ladda batteriet sätter du laddarens kontakt (6) i laddningsuttaget (7).
- ◆ Sätt laddaren (5) i vägguttaget.
- ◆ Låt verktyget laddas i 15 timmar.

Laddaren kan brumma och bli varm under laddningen. Det är normalt och innebär inte att något är fel.

Varning! Använd alltid den medföljande laddaren vid laddning av CS3651LC.

Varning! Ladda inte batteriet om omgivningstemperaturen är lägre än 10 °C eller högre än 40 °C.

Välja rotationsriktning (fig. D)

När du borrar och drar åt skruvar använder du framåtgående rotation. När du lossar skruvar eller avlägsnar en borrarbit som har fastnat använder du bakåtgående rotation.

- ◆ Du väljer framåtgående rörelse genom att trycka framåt-/bakåttreglaget (2) till framåtläget.
- ◆ Du väljer bakåtgående rörelse genom att trycka framåt-/bakåttreglaget (2) till bakåtläget.
- ◆ Lås verktyget genom att sätta framåt-/bakåttreglaget i mittenläget.

Borring/skruvdragning

- ◆ Välj framåt- eller bakåtgående rörelse genom att använda framåt-/bakåttreglaget (2).
- ◆ Starta verktyget genom att trycka in strömbrytaren (1).
- ◆ Stäng av verktyget genom att släppa strömbrytaren (1).

LED-arbetsbelysning

LED-arbetsbelysningen (4) aktiveras automatiskt när strömbrytaren trycks in. Lysdiodlampan tänds även om strömbrytaren trycks in när framåt-/bakåttreglaget (2) är i låsläge (mittenläget).

Tips för optimal användning

Skruvdragning

- ◆ Använd alltid skruvbits av rätt sort och storlek.
- ◆ Om en skruv är svår att dra åt kan du använda lite diskmedel eller tvål som smörjmedel.
- ◆ Använd spindellåset för att lossa mycket hårt sittande skruvar eller för att dra åt skruvar hårt.
- ◆ Håll alltid verktyget och skruvbiten i en rät linje i förhållande till skruven.
- ◆ Vid skruvdragning i trä rekommenderar vi att du först borrar ett hål som är lika djupt som skruvens längd. Hålet styr skruvens riktning och förhindrar att träet flisas upp eller spricker. Lämpliga hålstorlekar visas i tabellen nedan.
- ◆ Vid skruvdragning i hårt trä rekommenderar vi att du även borrar ett hål för frigång som är lika djupt som skruvens halva längd. Lämpliga storlekar för frigångshål visas i tabellen nedan.

Skruvdimension	Styrhål \varnothing (mjukt trä)	Styrhål \varnothing (hårt trä)	Frigångshål
No. 6 (3.5 mm)	2.0 mm	2.5 mm	3.6 mm
No. 8 (4 mm)	2.5 mm	3.0 mm	4.5 mm
No. 10 (5 mm)	3.0 mm	3.5 mm	5.0 mm

Borra styrhål

- ◆ Tryck alltid lätt i arbetsriktningen.
- ◆ Minska trycket på verktyget precis innan borrarspetsen kommer igenom på arbetsstyckets andra sida.
- ◆ Ha en träbit på baksidan för arbetsstycken som kan flisas.
- ◆ Gör ett märke med en körnare i mitten av det hål som ska borraras för att öka noggrannheten.

Tillbehör

Verktygets prestanda beror på vilka tillbehör du använder. Tillbehör från BLACK+DECKER och Piranha håller hög kvalitet och är utformade för att fungera optimalt med verktyget. Med dessa tillbehör får du ut mesta möjliga av verktyget.

Detta verktyg använder skruvbits med sexkantsfattning i storleken 1/4 tum (6.35mm). Tillbehör av typen Piranha Super-lok är avsedda att användas med detta verktyg.

Underhåll

Detta BLACK+DECKER-verktyg har konstruerats för att fungera under lång tid med ett minimum av underhåll. Med rätt underhåll och regelbunden rengöring behåller verktyget sina prestanda.

Laddaren behöver inget annat underhåll än regelbunden rengöring.

Varning! Koppla loss laddaren innan du utför något underhåll på eller rengör verktyget. Laddaren får inte vara ansluten till elnätet när du rengör den.

- ◆ Rengör regelbundet verktygets ventilationsöppningar och laddaren med en mjuk borste eller torr trasa.
- ◆ Rengör kåpan regelbundet med en fuktig trasa. Använd aldrig rengöringsmedel med lösnings- eller slipmedel.
- ◆ Öppna chucken med jämna mellanrum och knacka på den för att avlägsna damm som sitter på insidan.

Miljö



Separat insamling. Produkten får inte kastas i hushållssoporna.

Tänk på miljön när du slänger denna BLACK+DECKER-produkt. Släng den inte tillsammans med hushållsavfallet. Lämna produkten för separat insamling.



Insamling av uttjänta produkter och förpackningsmaterial gör att material kan återanvändas. Användning av återvunnet material minskar föroreningar av miljön och behovet av råmaterial.

Lokala föreskrifter kan kräva separat insamling av elprodukter från hushållen, vid kommunala insamlingsplatser eller hos återförsäljaren när du köper en ny produkt.

BLACK+DECKER samlar in och återvinner uttjänta BLACK+DECKER-produkter. Om du vill utnyttja denna tjänst återlämnar du produkten till en auktoriserad verkstad, som samlar in den för vår räkning.

För information om närmaste auktoriserade verkstad, kontakta det lokala BLACK+DECKER-kontoret på den adress som är angiven i bruksanvisningen. En lista över alla auktoriserade BLACK+DECKER-verkstäder samt fullständiga servicevillkor och kontaktuppgifter finns på Internet: www.2helpU.com

Batterier



Det finns inga delar som kan repareras inuti.

- ◆ Lämna tillbaka hela enheten till din återförsäljare eller en lokal återvinningsstation för att återvinna batteriet vid slutet av produktens livstid. Kasta inte enheten i hushållssoporna.

Tekniska data

CS351LC (H1)		
Spänning	V_{DC}	3.6
Tomgångshastighet	min^{-1}	180
Vridmoment vid tvärstopp	Nm	5.84
Max vridmoment	Nm	5.0
Bitshållare	mm	6.35 (1/4")
Vikt	kg	0.32

Batteri 906146** H1		
Spänning	V	3.6
Batterityp		Litiumjon
AHr-märkning		1.5

Laddare 905450** H1		
Spänning	V_{AC}	230
Laddningstid, cirka	tim	15
Vikt	kg	0.14

Ljudnivå enligt EN 60745:	
Ljudnivå (L_{pA})	60 dB(A), osäkerhet (K) 3 dB(A)
Ljudeffekt (L_{WA})	71 dB(A), osäkerhet (K) 3 dB(A)

Totala vibrationsvärden (vektorsumman av tre axlar) enligt EN 60745:	
Skruvdragning utan slagfunktion ($a_{h, IS}$)	0.3 m/s^2 , osäkerhet (K) 1.5 m/s^2

EG-deklaration om överensstämmelse

MASKINDIREKTIV



CS3651LC

Black & Decker garanterar att produkterna som beskrivs under Tekniska data uppfyller:

2006/42/EG, EN 60745-1, EN 60745-2-2

De här produkterna överensstämmer även med direktiven 2014/30/EU och 2011/65/EU. Mer information får du genom att kontakta Black & Decker på följande adress eller titta i slutet av bruksanvisningen.

Undertecknad är ansvarig för sammanställningen av tekniska data och gör denna försäkran för Black & Deckers räkning.

R. Laverick
Engineering Manager
Black & Decker Europe, 210 Bath Road, Slough,
Berkshire, SL1 3YD
Storbritannien
23/10/2014

Garanti

Black & Decker garanterar att produkten är fri från material- och/eller fabrikationsfel vid leverans till kund. Garantin gäller utöver konsumentens rättigheter enligt lag och påverkar inte dessa. Garantin gäller inom medlemsstaterna i Europeiska Unionen och i det Europeiska Frihandelsområdet.

Om en Black & Decker-produkt går sönder på grund av material- och/eller fabrikationsfel eller brister i överensstämmelse med specifikationen, inom 24 månader från köpet, åtar sig Black & Decker att reparera eller byta ut produkten med minsta besvär för kunden, förutom om:

- ◆ Produkten har använts i kommersiellt eller yrkesmässigt syfte eller i uthyringssyfte.
- ◆ Produkten har utsatts för felaktig användning eller skötsel.
- ◆ Produkten har skadats av främmande föremål, ämnen eller genom olyckshändelse.
- ◆ Reparation har utförts av någon annan än en auktoriserad Black & Decker-verkstad.

Vid garantianspråk ska produkten och inköpskvittot lämnas till återförsäljaren eller till en auktoriserad verkstad. För information om närmaste auktoriserade verkstad, kontakta det lokala Black & Decker-kontoret på den adress som är angiven i bruksanvisningen. En lista över alla auktoriserade Black & Decker-verkstäder samt fullständiga servicevillkor och kontaktuppgifter finns på Internet: www.2helpU.com

Besök vår webbplats www.blackanddecker.se för att registrera din nya BLACK+DECKER-produkt samt för att erhålla information om nya produkter och specialerbjudanden. Vidare information om märket BLACK+DECKER och vårt produktsortiment återfinns på www.blackanddecker.se

Tiltenkt bruk

Dette verktøyet fra BLACK+DECKER er beregnet for bruk som skrutrekker. Verktøyet er beregnet bare som konsumentverktøy.

Sikkerhetsinstruksjoner

Generelle sikkerhetsadvarsler for elektroverktøy



Advarsel! Les alle sikkerhetsadvarsler og alle instruksjoner. Hvis advarslene og anvisningene nedenfor ikke overholdes, kan det medføre elektrisk støt, brann og/eller alvorlige personskader.

Ta vare på alle advarsler og instruksjoner for fremtidig bruk. Begrepet "elektroverktøy" i advarslene nedenfor gjelder nettdrevet elektroverktøy (med ledning) eller batteridrevet elektroverktøy (uten ledning).

1. Sikkerhet i arbeidsområdet

- a. **Hold arbeidsområdet rent og godt opplyst.** Rotete eller mørke områder fører lett til ulykker.
- b. **Ikke arbeid med elektroverktøy i eksplosjonsfarlige omgivelser – der det befinner seg brennbare væsker, gass eller støv.** Elektroverktøy forårsaker gnister som kan antenne støv eller gass/damp.
- c. **Hold barn og andre personer unna når du bruker et elektroverktøy.** Hvis du blir forstyrret under arbeidet, kan du miste kontrollen.

2. Elektrisk sikkerhet

- a. **Støpselet til elektroverktøy må passe i stikkontakten. Støpselet må ikke forandres på noen som helst måte. Ikke bruk adapterstøpsler sammen med jordede elektroverktøy.** Bruk av originale støpsler og passende stikkontakter reduserer risikoen for elektrisk støt.
- b. **Unngå kroppskontakt med jordede overflater som rør, radiatorer, komfyrer og kjøleskap.** Det er større fare for elektrisk støt dersom kroppen din er jordet.

- c. **Hold elektroverktøy unna regn eller fuktighet.** Dersom det kommer vann i et elektroverktøy, øker faren for elektrisk støt.
- d. **Unngå uforsvarlig behandling av ledningen. Bruk aldri ledningen til å bære eller trekke elektroverktøyet eller til å trekke ut støpselet. Hold ledningen unna varme, olje, skarpe kanter eller bevegelige deler.** Skadde eller sammenflokede ledninger øker risikoen for elektrisk støt.
- e. **Når du bruker et elektroverktøy utendørs, må du bruke en skjøteledning som er egnet for utendørs bruk.** Når du bruker en skjøteledning som er egnet for utendørs bruk, reduseres risikoen for elektrisk støt.
- f. **Hvis du ikke kan unngå å bruke et elektroverktøy på et fuktig sted, bruker du strømforsyning som er beskyttet med jordfeilbryter.** Bruk av jordfeilbryter reduserer risikoen for elektrisk støt.

3. Personssikkerhet

- a. **Vær oppmerksom, pass på hva du gjør, og vis fornuft når du arbeider med et elektroverktøy. Ikke bruk elektroverktøy når du er trett eller er påvirket av narkotika, alkohol eller medikamenter.** Et øyeblikks uoppmerksomhet under bruk av verktøyet kan føre til alvorlige personskader.
- b. **Bruk personlig verneutstyr. Bruk alltid vernebriller.** Bruk av personlig verneutstyr, for eksempel støvmaske, skliskre vernesko, hjelm eller hørselvern som passer til forholdene, reduserer risikoen for personskader.
- c. **Forhindre utilsiktet start. Kontroller at bryteren står i posisjon "av" før du kobler til strømkilden og/eller batteripakken, og før du tar opp eller bærer verktøyet.** Det kan føre til ulykker hvis du bærer elektroverktøyet med fingeren på bryteren, eller setter strøm på verktøyet når bryteren står på.
- d. **Fjern eventuelle innstillingsverktøy eller skruverktøy før du slår på elektroverktøyet.** Et skruverktøy eller en nøkkel som fortsatt er festet til en roterende del av elektroverktøyet, kan føre til personskade.

- e. **Ikke strekk deg for langt. Pass på at du alltid har sikkert fotfeste og god balanse.** Da kan du kontrollere elektroverktøyet bedre i uventede situasjoner.
- f. **Bruk egnede klær. Ikke bruk løstsittende klær eller smykker. Hold hår, klær og hansker unna bevegelige deler.** Løstsittende tøy, smykker eller langt hår kan bli sittende fast i bevegelige deler.
- g. **Hvis det kan monteres støvavsug- og oppsamlingsinnretninger, må du forvise deg om at disse er tilkoblet og brukes på riktig måte.** Bruk av støvoppsamling kan redusere farer i forbindelse med støv.
- 4. Bruk og behandling av elektroverktøy**
- a. **Ikke bruk makt på elektroverktøyet. Bruk riktig elektroverktøy for bruksområdet.** Med et passende elektroverktøy arbeider du bedre og sikrere med den farten det er beregnet for.
- b. **Ikke bruk elektroverktøyet hvis du ikke kan slå det på og av med bryteren.** Et elektroverktøy som ikke kan kontrolleres med bryteren, er farlig og må repareres.
- c. **Trekk støpselet ut av stikkkontakten og/eller koble fra batteripakken på elektroverktøyet før du utfører innstillinger, bytter tilbehør eller legger elektroverktøyet bort.** Disse forebyggende sikkerhetstiltakene reduserer risikoen for utilsiktet start av elektroverktøyet.
- d. **Elektroverktøy som ikke er i bruk, må oppbevares utilgjengelig for barn. Ikke la verktøyet bli brukt av personer som ikke er fortrolig med det, eller som ikke har lest denne bruksanvisningen.** Elektroverktøy er farlige når de brukes av uerfarne personer.
- e. **Sørg for vedlikehold av elektroverktøy. Undersøk om bevegelige deler er feiljustert eller blokkert, om deler er skadet, og om det er andre forhold som kan påvirke elektroverktøyets funksjon. Hvis elektroverktøyet er skadet, må det repareres før bruk.** Dårlig vedlikeholdt elektroverktøy er årsaken til mange ulykker.
- f. **Hold skjæreverktøy skarpe og rene.** Godt vedlikeholdte skjæreverktøy med skarpe egger setter seg ikke så ofte fast og er lettere å føre.
- g. **Bruk elektroverktøy, tilbehør, bits osv. i henhold til disse instruksjonene. Ta hensyn til arbeidsforholdene og arbeidet som skal utføres.** Bruk av elektroverktøy til andre formål enn det som er angitt, kan føre til farlige situasjoner.
- 5. Bruk og stell av batteriverktøyet**
- a. **Gjenoppladningen skal bare skje med den laderen som produsenten har spesifisert.** En lader som er egnet til én type batteripakke, kan føre til brannrisiko når den brukes med en annen batteripakke.
- b. **Bruk elektroverktøy bare med spesifikt angitte batteripakker.** Bruk av andre batteripakker kan føre til fare for personskader og brann.
- c. **Når batteripakken ikke er i bruk, må du oppbevare den atskilt fra andre metallgjenstander som binders, mynter, nøkler, spiker, skruer eller andre små metallgjenstander som kan opprette en forbindelse fra en terminal til en annen.** Kortslutning av batteriterminalene kan føre til forbrenning eller brann.
- d. **Under uheldige forhold kan det lekke væske fra batteriet. Unngå å komme i kontakt med væsken. Dersom du ved et uhell kommer i kontakt med væsken, må du skylle med vann. Får du batterivæske i øynene, må du i tillegg oppsøke lege.** Væske som lekker fra batteriet, kan forårsake irritasjoner eller forbrenninger.
- 6. Service**
- a. **Elektroverktøy skal alltid repareres av kvalifisert personell og kun med originale reservedeler.** Dette sikrer at elektroverktøyets sikkerhet opprettholdes.
- Ytterligere sikkerhetsadvarsler for elektroverktøy**



Advarsel! Ytterligere sikkerhetsadvarsler for skrutrekkere og skruverktøy med slag

- ◆ **Bruk hørselvern når du bruker skruverktøy med slag.** Eksponering for støy kan føre til nedsatt hørsel.
- ◆ **Bruk hjelpehåndtak som følger ned verktøyet.** Tap av kontroll kan føre til personskade.
- ◆ **Hold elektroverktøyet i de isolerte grepene når du utfører et arbeid hvor festeanordningen kan komme i kontakt med skjulte ledninger..** Hvis festeanordninger kommer i kontakt med en strømførende ledning, kan frittliggende metalldele på verktøyet bli strømførende, og brukeren kan få elektrisk støt.
- ◆ **Bruk klemmer eller andre praktiske metoder for å spenne fast og støtte arbeidsstykket på en stabil plattform.** Hvis arbeidsstykket holdes med hånden eller inn mot kroppen, vil det være ustabil, noe som lett kan føre til at du mister kontrollen.
- ◆ Tiltent bruk er beskrevet i denne håndboken. Hvis du bruker annet tilbehør, kobler til annet utstyr eller bruker dette produktet til andre oppgaver enn det som er anbefalt i denne håndboken, kan det medføre fare for personskader og/eller skade på eiendom.



Advarsel! Muttertrekkere er ikke momentnøkler. Ikke bruk dette verktøyet til å stramme festeanordninger til spesifiserte momenter. Du bør bruke et uavhengig, kalibrert verktøy som måler moment, for eksempel en momentnøkkel, når koblinger kan svikte hvis festeanordninger er for lite eller for mye strammet.

Andre personers sikkerhet

- ◆ Det er ikke meningen at dette produktet skal brukes av personer (inkludert barn) med reduserte fysiske, sansemessige eller mentale evner, eller som mangler erfaring og kunnskap, med mindre de har fått oppfølging eller instruksjon når det gjelder bruken av produktet, fra en person som er ansvarlig for deres sikkerhet.
- ◆ Barn skal være under oppsyn så du er sikker på at de ikke leker med produktet.

Andre risikoer

Ved bruk av verktøyet kan det oppstå ytterligere risikoer som kanskje ikke er inkludert i sikkerhetsadvarslene som følger med. Disse risikoene kan bli forårsaket av feil bruk, langvarig bruk osv.

Selv om de relevante sikkerhetsbestemmelsene blir fulgt, og sikkerhetstiltakene blir gjennomført, kan visse gjenværende risikoer ikke unngås. Disse omfatter:

- ◆ Personskader som forårsakes av berøring av en roterende/bevegelig del.
- ◆ Personskader som forårsakes av at en del, et blad eller tilbehør endres.
- ◆ Personskader som forårsakes av langvarig bruk av et verktøy. Når du bruker et verktøy i lange perioder, må du sørge for å ta regelmessige pauser.
- ◆ Svekket hørsel.
- ◆ Helsefarer som forårsakes av innånding av støv som dannes når du bruker verktøyet (eksempel: arbeid med tre, spesielt eik, bøk og MDF).

Vibrasjon

Vibrasjonsemisjonsverdien som er angitt under tekniske data og samsvarserklæring, er blitt målt i henhold til en standard testmetode som er angitt i EN 60745, og kan brukes til å sammenligne et verktøy med et annet. Den oppgitte vibrasjonsemisjonsverdien kan også brukes til en foreløpig vurdering av eksponering.

Advarsel! Vibrasjonsemisjonsverdien under faktisk bruk av elektroverktøyet kan avvike fra den oppgitte verdien avhengig av måten verktøyet blir brukt på. Vibrasjonsnivået kan øke over nivået som er oppgitt.

Når man vurderer vibrasjonseksponering for å bestemme sikkerhetstiltak som kreves i 2002/44/EF, for å beskytte personer som bruker elektroverktøy regelmessig i arbeidet, skal man når man anslår vibrasjonseksponeringen, ta hensyn til de faktiske bruksforholdene og måten verktøyet blir brukt på, inkludert hensyn til alle deler av brukssyklusen – også de gangene verktøyet slås av, og når det går på tomgang, i tillegg til tiden utløseren er inne.

Merking på verktøyet

Følgende symboler vises på verktøyet:



Advarsel! Brukeren må lese håndboken for å redusere risikoen for personskade.

Ytterligere sikkerhetsinstruksjoner for batterier og ladere

Batterier

- ◆ Forsøk ikke å åpne uansett hvilket formål du måtte ha.
- ◆ Ikke utsett batteriet for vann.
- ◆ Skal ikke oppbevares på steder der temperaturen kan overskride 40 °C.
- ◆ Lad bare ved temperaturer mellom 10°C og 40°C.
- ◆ Bruk bare laderen som følger med verktøyet.
- ◆ Følg instruksjonene i avsnittet "Miljøvern" når du skal kaste batterier.

Ladere

- ◆ BLACK+DECKER-laderen skal bare brukes til å lade batteriet i apparatet som laderen kom sammen med. Andre batterier kan sprekke og føre til personskade og materiell skade.
- ◆ Prøv aldri å lade ikke-oppladbare batterier.
- ◆ Skift ut defekte ledninger umiddelbart.
- ◆ Ikke utsett laderen for vann.
- ◆ Ikke åpne laderen.
- ◆ Ikke stikk gjenstander eller fingre ned i laderen.



Laderen er bare beregnet for bruk innendørs.



Les denne håndboken før bruk.



Feilsikker skilletransformator. Nettstrømforsyningen er skilt elektrisk fra transformatorutgangen.



Laderen slår seg av automatisk hvis temperaturen i omgivelsene blir for høy. Som følge av dette vil ikke laderen virke. Enheten må kobles fra strømforsyningen og repareres på et autorisert serviceverksted.

Elektrisk sikkerhet



Denne laderen er dobbeltisolert. Jording er derfor ikke nødvendig. Kontroller alltid at nettspenningen er i overensstemmelse med spenningen på typeskiltet. Prøv aldri å skifte ut laderen med et vanlig nettstøpsel.

- ◆ Hvis strømledningen blir skadet, må den byttes av produsenten eller et autorisert BLACK+DECKER-servicesenter for å unngå fare.

Advarsel! Prøv aldri å skifte ut laderen med et vanlig nettstøpsel.

Funksjoner

Dette verktøyet har noen av eller alle av følgende egenskaper.

1. Av/på-bryter
2. Glidebryter for fremover/bakover
3. Bitholder
4. LED-arbeidslampe
5. Lader
6. Laderplugg
7. Ladekontakt

Montering

Sette på og ta av bor eller en skrutrekkerbit (figur B)

Dette verktøyet bruker skrutrekkerbiter med 6.35 mm (1/4") sekskantet skaft.

- ◆ For å sette på en bit setter du bitskaftet inn i bitholderen (3)
- ◆ Når du skal fjerne en bit, trekker du bitskaftet ut av bitholderen (3).

Merk: Det høyrevinklede tilbehøret som vises i figur E-J følger ikke nødvendigvis med verktøyet.

Bruk

Advarsel! La verktøyet arbeide i sin egen hastighet. Det må ikke overbelastes.

- ◆ Før første gangs bruk skal batteriet lades i minst 15 timer.

Ladning av batteriet (figur C)

- ◆ Sett laderpluggen (6) inn i laderkontakten (7).
- ◆ Koble laderen (5) til stikkkontakten.
- ◆ La verktøyet være tilkoblet laderen i 15 timer.

Laderen kan varme og bli varm under ladning. Dette er normalt og innebærer ikke feil.

Advarsel! Bruk bare laderen som følger til å lade CS3651LC.

Advarsel! Ikke lad batteriet hvis temperaturen i omgivelsene er under 10 °C eller over 40 °C.

Velge rotasjonsretning (figur D)

For boring og stramming av skruer brukes rotasjon fremover. For løsning av skruer eller fjerning av bor som sitter fast, brukes rotasjon bakover.

- ◆ Når du skal velge rotasjon fremover, skyver du glidebryteren (2) for fremover/bakover til fremre stilling.
- ◆ Når du skal velge rotasjon bakover, skyver du glidebryteren (2) for fremover/bakover til bakre stilling.
- ◆ Når du skal låse verktøyet, setter du glidebryteren for fremover/bakover i midtstillingen.

Boring / bruk som skrutrekker

- ◆ Velg rotasjon fremover eller bakover med glidebryteren (2) for fremover/bakover.
- ◆ Trykk på av/på-knappen (1) for å slå verktøyet på.
- ◆ Slipp på/av-bryteren (1) for å slå verktøyet av.

LED-arbeidslampe

LED-arbeidslampen (4) aktiveres automatisk når utløseren trykkes inn. Lampen lyser også når utløseren blir trykket inn og glidebryteren for fremover/bakover (2) er i låst stilling (midtstilling).

Råd for optimal bruk

Bruk som skrutrekker

- ◆ Bruk alltid riktig type og størrelse av skrutrekkerbit.
- ◆ Hvis skruer er vanskelige å stramme, prøver du å bruke litt flytende vaskemiddel eller såpe som smøremiddel.
- ◆ Bruk spidellåsen for å løsne svært stamme skruer eller for å stramme skruer godt.
- ◆ Hold alltid verktøyet og skrutrekkerbiten i rett linje med skruen.
- ◆ Når du skrur i tre, anbefales det å bore et styrehull med dybde lik lengden av skruen. Et styrehull styrer skruen og forhindrer at treet sprekker eller blir deformert. Se tabellen nedenfor for best mulig dimensjon på styrehullet.
- ◆ Når du skrur i hardt tre, borer du også et klaringshull med dybde lik halve lengden av skruen. Se tabellen nedenfor for best mulig dimensjon på klaringshullet.

Skruestørrelse	Diameter ø styrehull (bløtt tre)	Diameter ø styrehull (hardt tre)	Klaringshull
Nr. 6 (3.5 mm)	2.0 mm	2.5 mm	3.6 mm
Nr. 8 (4 mm)	2.5 mm	3.0 mm	4.5 mm
Nr. 10 (5 mm)	3.0 mm	3.5 mm	5.0 mm

Bore styrehull

- ◆ Benytt alltid lett trykk i rett linje langs boret.
- ◆ Like før boret bryter gjennom på den andre siden av arbeidsstykket, reduserer du trykket på verktøyet.
- ◆ Bruk et trestykke på baksiden av arbeidsstykker som kan bli splintret.
- ◆ Lag en fordypning med en dor midt i hullet som skal bores, for å øke nøyaktigheten.

Tilbehør

Verktøyets ytelse avhenger av hva slags tilbehør som brukes. Tilbehør fra BLACK+DECKER og Piranha er produsert etter høye kvalitetsstandarder og er konstruert for å bedre verktøyets ytelse. Hvis du bruker dette tilbehøret, får du mest mulig ut av verktøyet ditt.

Dette verktøyet bruker skrutrekkerbiter med 1/4" (6.35 mm) sekskantet skaft. Piranha Super-lok-tilbehør er utformet for bruk med dette verktøyet.

Vedlikehold

BLACK+DECKER-verktøyet ditt er konstruert for å være i drift over lengre tid med et minimum av vedlikehold. Det er avhengig av riktig stell og regelmessig rengjøring for å fungere som det skal til enhver tid.

Laderen krever ikke annet vedlikehold enn regelmessig rengjøring.

Advarsel! Før du utfører vedlikehold på verktøyet, må du koble fra laderen før du rengjør den.

- ◆ Rengjør ventilasjonsåpningene i verktøyet og laderen jevnlig med en myk børste eller tørr klut.
- ◆ Rengjør motorhuset jevnlig med en fuktig klut. Ikke bruk slipende eller løsemiddelbaserte rengjøringsmidler.
- ◆ Åpne chucken regelmessig, og bank på den for å fjerne eventuelt støv fra innsiden.

Miljø



Separat avfallshåndtering. Dette produktet må ikke kastes sammen med vanlig husholdningsavfall.

Hvis du synes BLACK+DECKER-produktet bør skiftes ut, eller du ikke har bruk for det lenger, må du ikke kaste det sammen med husholdningsavfall. Sørg for separat avfallshåndtering for dette produktet.



Hvis brukte produkter og emballasje leveres atskilt, kan materialer resirkuleres og brukes på nytt.

Gjenbruk av resirkulerte materialer bidrar til redusert miljøforurensing og reduserer behovet for råmaterialer.

Det kan være lokale bestemmelser for separat avfallshåndtering for elektriske produkter fra husstander på kommunale avfallsplasser eller hos forhandleren, når du kjøper et nytt produkt.

BLACK+DECKER har en ordning for innsamling og resirkulering av BLACK+DECKER-produkter som ikke skal brukes lenger. Du kan benytte denne tjenesten ved å levere produktet til et hvilket som helst autorisert serviceverksted.

Du kan finne ut hvor nærmeste autoriserte serviceverksted er, ved å kontakte din lokale BLACK+DECKER-avdeling på adressen som er oppgitt i denne håndboken. En oversikt over autoriserte BLACK+DECKER-serviceverksteder og alle opplysninger om ettersalgsservice og kontakter er også tilgjengelig på Internett: www.2helpU.com

Batterier



Det er ingen deler inni som brukere skal behandle.

- ◆ På slutten av produktets levetid skal hele produktet leveres tilbake til servicestedet eller til et lokalt gjenvinningsanlegg slik at batteriet kan resirkuleres. Ikke kast produktet sammen med husholdningsavfallet.

Tekniske data

CS351LC (H1)		
Spenning	V_{DC}	3.6
Hastighet uten belastning	min^{-1}	180
Fastkjøringsmoment	Nm	5.84
Maks dreiemoment	Nm	5.0
Bitholder	mm	6.35 (1/4")
Vekt	kg	0.32

Batteri 906146** H1		
Spenning	V	3.6
Batteritype		Li-ion
AHr-klassifisering		1.5

Lader 905450** H1		
Spenning	V_{AC}	230
Omtrentlig ladetid	t	15
Vekt	kg	0.14

Lydtrykknivå målt i henhold til EN 60745:	
Lydtrykk (L_{pA})	60 dB(A), usikkerhet (K) 3 dB(A)
Lydeffekt (L_{WA})	71 dB(A), usikkerhet (K) 3 dB(A)

Totale vibrasjonsverdier (vektorsum fra tre retninger) bestemt i samsvar med EN 60745:	
Bruk som skrutrekker uten slag ($a_{h,IS}$)	0.3 m/s^2 , usikkerhet (K) 1.5 m/s^2

EU-samsvarserklæring

MASKINDIREKTIV



CS3651LC

Black & Decker erklærer at disse produktene som er beskrevet under «Tekniske data», er i samsvar med:

2006/42/EF, EN 60745-1, EN 60745-2-2

Disse produktene er også i samsvar med direktiv 2014/30/EU og 2011/65/EU. Hvis du ønsker mer informasjon, kontakt Black & Decker på adressen nedenfor, eller se på

baksiden av bruksanvisningen.

Undertegnede er ansvarlig for utarbeidelsen av den tekniske dokumentasjonen og gir denne erklæringen på

vegne av Black & Decker.

R. Laverick
Engineering Manager
Black & Decker Europe, 210 Bath Road, Slough,
Berkshire, SL1 3YD
Storbritannia
23/10/2014

Garanti

Black & Decker er trygg på kvaliteten av sine produkter og tilbyr en enestående garanti. Denne garantierklæringen kommer i tillegg til dine lovbestemte rettigheter og er ikke i konflikt med disse. Garantien er gyldig i EU- og EFTA-medlemsstatene.

Hvis et Black & Decker-produkt går i stykker på grunn av material- og/eller fabrikkasjonsfeil eller har mangler i forhold til spesifikasjonene innen 24 måneder fra kjøpet, påtar Black & Decker seg å skifte ut defekte deler, reparere produkter som har vært utsatt for alminnelig slitasje, eller bytte ut slike produkter med minst mulig vanskelighet for kunden, med mindre:

- ◆ Produktet har vært brukt i yrkes-/næringsvirksomhet eller til utleie.
- ◆ Produktet har vært utsatt for feilaktig bruk eller dårlig vedlikehold.
- ◆ Produktet har blitt skadet av fremmede gjenstander eller stoffer eller ved et uhell.
- ◆ Andre enn autoriserte serviceverksteder eller Black & Deckers serviceteknikere har forsøk å reparere produktet.

For å ta garantien i bruk må du vise kjøpskvittering til forhandleren eller til et autorisert serviceverksted. Du kan finne ut hvor nærmeste autoriserte serviceverksted er, ved å kontakte din lokale Black & Decker-avdeling på adressen som er oppgitt i denne håndboken. En oversikt over autoriserte Black & Decker-serviceverksteder og alle opplysninger om ettersalgsservice og kontakter er også tilgjengelig på Internett: www.2helpU.com

Besøk vårt webområde www.blackanddecker.no for å registrere ditt nye BLACK+DECKER-produkt og for å holde deg oppdatert om nye produkter og spesialtilbud. Du finner mer informasjon om BLACK+DECKER og produktutvalget vårt på www.blackanddecker.no.

Tilsigtet brug

Din BLACK+DECKER-skruemaskine uden ledning er designet til at skrue med. Værktøjet er kun beregnet til privat brug.

Sikkerhedsvejledning

Generelle sikkerhedsadvarsler vedrørende elværktøj



Advarsel! Læs alle sikkerhedsadvarsler og instruktioner. Hvis nedenstående instruktioner og advarsler ikke følges, er der risiko for elektrisk stød, brand og/eller alvorlige personskader.

Gem alle advarsler og anvisninger til senere brug.

Begrebet "elværktøj", der benyttes i nedenstående advarsler, henviser til netdrevet elværktøj (med netledning) eller batteridrevet elværktøj (uden netledning).

1. Sikkerhed i arbejdsområdet

- Hold arbejdsområdet rent og godt oplyst.** Rodede og uoplyste områder øger risikoen for uheld.
- Brug ikke elværktøj i eksplosive omgivelser, f.eks. hvor der er brændbare væsker, gasser eller støv.** Elværktøj kan forårsage gnister, der kan antænde støv eller dampe.
- Hold børn og andre personer på afstand, når et elværktøj er i brug.** Du kan miste kontrollen over værktøjet, hvis du distraheres.

2. Elektricitet og sikkerhed

- Elværktøjsstik skal passe til stikkontakten. Stikket må under ingen omstændigheder ændres. Brug ikke adapterstik sammen med jordforbundet elværktøj.** Uændrede stik, der passer til stikkontakterne, nedsætter risikoen for elektrisk stød.
- Undgå kropskontakt med jordforbundne overflader som f.eks. rør, radiatorer, komfurer og køleskabe.** Hvis din krop er jordforbundet, øges risikoen for elektrisk stød.

- Elværktøj må ikke udsættes for regn eller fugt.** Indtrængen af vand i elværktøj øger risikoen for elektrisk stød.
- Ødelæg ikke ledningen. Bær, træk eller afbryd ikke elværktøjet vha. ledningen. Beskyt ledningen mod varme, olie, skarpe kanter eller maskindele, der er i bevægelse.** Beskadigede eller sammenfiltrede ledninger øger risikoen for elektrisk stød.
- Hvis elværktøj benyttes i det fri, skal der benyttes en forlængerledning, som er godkendt til udendørs brug.** Brug af en forlængerledning til udendørs brug nedsætter risikoen for elektrisk stød.
- Brug en strømkilde med fejlstrømsbeskyttelse, hvis det er uundgåeligt at anvende elværktøj på fugtige steder.** Med en fejlstrømsbeskyttelse reduceres risikoen for elektrisk stød.

3. Personlig sikkerhed

- Vær opmærksom, hold øje med, hvad du laver, og brug elværktøjet fornuftigt. Brug ikke et elværktøj, hvis du er træt eller påvirket af stoffer, medicin eller alkohol.** Få sekunders uopmærksomhed ved brug af elværktøjet kan føre til alvorlige personskader.
- Brug personlige værnemidler. Brug altid beskyttelsesbriller.** Brug af værnemidler som f.eks. støvmaske, skridsikkert fodtøj, beskyttelseshjelm eller høreværn nedsætter risikoen for personskader, hvis udstyret anvendes korrekt.
- Sørg for, at værktøjet ikke kan starte utilsigtet. Kontroller, at afbryderkontakten står på slukket, inden værktøjet tilsluttes strømkilden og/eller batteriet, samles op eller bæres.** Bæres elværktøj, mens fingeren er på kontakten, eller tilsluttes det, mens kontakten står på tændt, kan der nemt ske en ulykke.
- Fjern indstillingsværktøj eller skruenøgle, inden elværktøjet tændes.** Et værktøj eller en nøgle, der efterlades i en roterende del i elværktøjet, kan resultere i personskader.
- Stræk dig ikke for langt. Sørg for, at du altid har sikkert fodfæste og balance.** Det gør det nemmere at kontrollere elværktøjet, hvis der skulle opstå uventede situationer.

- f. **Brug egnet arbejdstøj. Undgå løse beklædningsgenstande eller smykker. Hold hår, tøj og handsker væk fra dele, der bevæger sig.** Bevægelige dele kan gribe fat i løstsiddende tøj, smykker eller langt hår.
- g. **Hvis støvudsugnings- og opsamlingsudstyr kan monteres, er det vigtigt, at dette tilsluttes og benyttes korrekt.** Brug af udstyr til opsamling af støv kan nedsætte risikoen for støvrelateret personskade.
4. **Brug og vedligeholdelse af elværktøj**
- a. **Undgå at overbelaste elværktøjet. Brug altid det rette elværktøj til opgaven.** Med det rigtige elværktøj udføres arbejdet lettere og sikrere og i det tempo, som værktøjet er beregnet til.
- b. **Brug ikke elværktøjet, hvis afbryderen er defekt.** Elværktøj, der ikke kan reguleres med afbryderen, er farligt og skal repareres.
- c. **Træk stikket ud af stikkontakten og/eller batteriet inden indstilling, tilbehørsudskiftning eller opbevaring af elværktøjet.** Disse sikkerhedsforanstaltninger reducerer risikoen for utilsigtet start af værktøjet.
- d. **Opbevar ubenyttet elværktøj uden for børns rækkevidde. Lad aldrig personer, der ikke er fortrolige med elværktøj, eller som ikke har gennemlæst disse instruktioner, benytte maskinen.** Elværktøj er farligt, hvis det benyttes af ukyndige personer.
- e. **Elværktøj bør vedligeholdes omhyggeligt. Kontroller, om bevægelige dele er skæve og ikke sidder fast, og om delene er brækket eller beskadiget, så elværktøjets funktion påvirkes. Få beskadigede dele repareret, inden elværktøjet tages i brug.** Mange uheld skyldes dårligt vedligeholdt elværktøj.
- f. **Sørg for, at skæreværktøjer er skarpe og rene.** Ordentligt vedligeholdt skæreværktøj med skarpe skærekanter sætter sig ikke så hurtigt fast og er nemmere at styre.
- g. **Brug elværktøjet, tilbehøret, indsatsværktøj osv. i overensstemmelse med disse instruktioner under hensyntagen til arbejdsforholdene og arbejdet, der skal udføres med værktøjet.** I tilfælde af anvendelse af elværktøjet til formål, som ligger uden for det fastsatte anvendelsesområde, kan der opstå farlige situationer.
5. **Brug og vedligeholdelse af batteridrevet værktøj**
- a. **Genoplad kun med den lader, som producenten har angivet.** En lader, der er velegnet til én type batteripakke, kan udgøre en brandfare, hvis den bruges til en anden batteripakke.
- b. **Brug kun elværktøj sammen med batteripakker, der er specifikt beregnet hertil.** Brugen af andre batteripakker kan medføre personskade og brand.
- c. **Når batteripakken ikke er i brug, skal den holdes på afstand af andre metalgenstande, f.eks. papirclips, mønter, nøgler, søm, skruer og andre små metalgenstande, som kan skabe forbindelse mellem de to poler.** Kortslutning af batteriet kan forårsage forbrændinger eller brand.
- d. **I visse situationer kan batteriet lække. Undgå kontakt. Skyl med vand i tilfælde af kontakt. Søg læge, hvis væsken kommer i kontakt med øjnene.** Væske, der lækker fra batteriet, kan forårsage irritation eller forbrændinger.
6. **Service**
- a. **Få altid elværktøjet repareret af kvalificerede fagfolk med udelukkende identiske reservedele.** Dermed opretholdes elværktøjets sikkerhed.

Yderligere sikkerhedsadvarsler for elværktøj



Advarsel! Yderligere sikkerhedsadvarsler for skruemaskiner og slagskruetrækkere

- ◆ **Bær høreværn ved slagboring.** Støj kan forårsage høretab.
- ◆ **Brug de ekstra håndtag, der følger med værktøjet.** Det kan medføre personskade, hvis kontrollen over værktøjet mistes.

- ◆ **Hold i elværktøjets isolerede gribeblader, hvis der er risiko for at beslaget kommer i kontakt med skjulte ledninger.** Hvis beslag kommer i kontakt med en strømførende ledning, bliver elværktøjets blotlagte dele strømførende, så brugeren får stød.
- ◆ **Brug skruetvinger eller lignende til at holde og støtte materialet på et stabilt underlag.** Hvis materialet holdes i hånden eller ind mod kroppen, er det ustabil, og du kan miste kontrollen.
- ◆ Apparatets tilsigtede brug fremgår af denne vejledning. Brug af ekstraudstyr eller tilbehør eller udførelse af andre opgaver med dette værktøj end de, der anbefales i denne vejledning, kan medføre risiko for personskade og/eller materiel skade.



Advarsel! Slagskruenøgler er ikke momentnøgler. Brug ikke dette værktøj til tilspænding af beslag til bestemte drejningsmomenter. Der bør anvendes en selvstændig, kalibreret drejningsmomentmåler som f.eks. en momentnøgle, hvis for løse eller stramme beslag kan medføre fejl i samlingen.

Andres sikkerhed

- ◆ Dette apparat må ikke bruges af personer (herunder børn) med nedsatte fysiske, sensoriske eller mentale evner eller manglende erfaring og viden, med mindre det sker under overvågning, eller der gives instruktion i brugen af apparatet af en person, der er ansvarlig for deres sikkerhed.
- ◆ Børn skal holdes under opsyn, så det sikres, at de ikke leger med værktøjet.

Restrisici.

Der kan opstå yderligere restrisici under brugen af værktøjet, som ikke kan medtages i vedlagte sikkerhedsadvarsler. Disse risici kan opstå pga. forkert anvendelse, langvarig brug etc.

Selv ved overholdelse af relevante sikkerhedsforskrifter og anvendelse af sikkerhedsudstyr kan visse restrisici ikke undgås. Disse omfatter:

- ◆ Tilskadekomst forårsaget af berøring af roterende/bevægelige dele.

- ◆ Tilskadekomst forårsaget af udskiftning af dele, klinger eller tilbehør.
- ◆ Tilskadekomst forårsaget af langvarig brug af et værktøj. Husk at holde pause jævnligt ved brug af et værktøj i længere tid.
- ◆ Høreskader.
- ◆ Sundhedsrisici forårsaget af indånding af støv, der genereres ved brug af værktøjet (eksempel: Arbejde med træ, især, eg, bøg og MDF).

Vibration

De angivne værdier for udsendelse af vibration anført under de tekniske data og overensstemmelseserklæringen er målt i henhold til standardtestmetoden i EN 60745 og kan bruges til at sammenligne ét værktøj med et andet. Den angivne værdi for udsendelse af vibration kan også bruges som en foreløbig vurdering af eksponeringen.

Advarsel! Værdien for udsendelse af vibration ved faktisk brug af elværktøjet kan afvige fra den angivne værdi afhængig af måden, værktøjet anvendes på. Vibrationsniveauet kan overstige det angivne niveau.

I vurderingen af eksponeringen for vibration med henblik på fastsættelse af sikkerhedsforanstaltninger som krævet i 2002/44/EF til beskyttelse af personer, der jævnligt anvender elværktøj i deres arbejde, skal der tages hensyn til de faktiske betingelser under brugen, og måden værktøjet bruges på, herunder alle arbejds cyklussens elementer, f.eks. perioder, hvor værktøjet er slukket og kører i tomgang tillige med startperioderne.

Mærkater på værktøjet

Følgende symboler er anbragt på værktøjet:



Advarsel! Brugeren skal læse brugervejledningen for at reducere risikoen for tilskadekomst.

Yderligere sikkerhedsvejledninger for batterier og ladere

Batterier

- ◆ Forsøg aldrig at åbne uanset årsag.
- ◆ Batteriet må ikke udsættes for fugt.
- ◆ Opbevar ikke på steder, hvor temperaturen kan overstige 40°C.
- ◆ Oplad kun ved omgivelsestemperaturer på mellem 10°C og 40°C.
- ◆ Oplad kun ved hjælp af den medfølgende lader.
- ◆ Følg vejledningen i afsnittet "Miljøbeskyttelse" ved bortskaffelse af batterier.

Ladere

- ◆ Brug kun din BLACK+DECKER-lader til at oplade batteriet i det værktøj, som den blev leveret sammen med. Andre batterier kan eksplodere og forårsage personskade og materielle skader.
- ◆ Prøv aldrig på at oplade ikke-opladelige batterier.
- ◆ Udskift straks defekte ledninger.
- ◆ Laderen må ikke udsættes for fugt.
- ◆ Laderen må ikke åbnes.
- ◆ Undersøg ikke laderen.



Laderen er kun beregnet til indendørs brug.



Læs brugervejledningen, før værktøjet tages i brug.



Fejlsikker skilletransformer. Netforsyningen er elektrisk adskilt fra transformerudgangen.



Laderen slår automatisk fra, hvis omgivelsestemperaturen bliver for høj. Som følge deraf holder laderen op med at fungere. Enheden skal afbrydes fra netforsyningen og indleveres til reparation på et autoriseret værksted.

Elektricitet og sikkerhed



Laderen er dobbelt isoleret. Derfor er en jordledning ikke nødvendig. Kontroller altid, at netspændingen svarer til spændingen på typeskiltet. Forsøg aldrig at erstatte laderenheden med et almindeligt netstik.

- ◆ Hvis netledningen beskadiges, skal den udskiftes af producenten eller et autoriseret BLACK+DECKER-værksted, så farlige situationer undgås.

Advarsel! Forsøg aldrig at erstatte laderenheden med et almindeligt netstik.

Komponenter

Dette værktøj leveres med nogle af eller alle de følgende komponenter.

1. Tænd/sluk-kontakt
2. Skyder til skift af retning
3. Bitholder
4. LED-arbejdslys
5. Lader
6. Laderstik
7. Ladebøsning

Samling

Montering og afmontering af en borebit eller en skruetrækkerbit (fig. B)

Til dette værktøj skal der anvendes skruetrækkerbits og borebits med sekskantet 6.35 mm (1/4") fatning.

- ◆ Bitten sættes på ved at sætte bitfatningen i bitholderen (3).
- ◆ Bitten fjernes ved at trække bitfatningen ud af bitholderen (3).

Bemærk! Det retvinklede beslag vist i fig. E-J medfølger evt. ikke med dit værktøj.

Anvendelse

Advarsel! Lad værktøjet arbejde i dets eget tempo. Det må ikke overbelastes.

- ◆ Før første ibrugtagning skal batteriet oplades i mindst 15 timer.

Opladning af batteriet (fig. C)

- ◆ Sæt laderstikket (6) i ladebøsningen (7).
- ◆ Sæt laderen i en stikkontakt (5).
- ◆ Lad værktøjet være tilsluttet laderen i 15 timer.

Laderen kan summe og blive varm under opladningen. Det er normalt og ikke tegn på problemer.

Advarsel! Brug kun den medfølgende lader til opladning af CS3651LC.

Advarsel! Batteriet må ikke oplades i omgivelsestemperaturer under 10 °C eller over 40 °C.

Valg af omløbsretning (fig. D)

Brug forlæns omløb ved boring og tilspænding af skruer. Brug baglæns omløb for at løsne skruer eller fjerne et fastklemt bor.

- ◆ Tryk skyderen til skift af retning (2) til forreste position for at vælge forlæns omløb.
- ◆ Tryk skyderen til skift af retning (2) til bageste position for at vælge baglæns omløb.
- ◆ Lås værktøjet ved at sætte skyderen til skift af retning i midterstilling.

Boring/iskruning

- ◆ Vælg forlæns eller baglæns omløb vha. skyderen til skift af retning (2).
- ◆ Tænd for værktøjet ved at trykke på tænd/sluk-kontakten (1).
- ◆ Sluk for værktøjet ved at udløse tænd/sluk-kontakten (1).

LED-arbejdslys

LED-arbejdslyset (4) aktiveres automatisk, når der trykkes på kontakten. LED'en lyser også, når der trykkes på kontakten, og skyderen til skift af retning (2) står i låst position (midterstilling).

Gode råd til optimal brug

Iskruning

- ◆ Brug altid den rette type og størrelse skruetrækker.
- ◆ Prøv at smøre lidt opvaskemiddel eller sæbe på skruen, hvis den er vanskelig at spænde.

- ◆ Brug spindellåsen til at løsne meget stramme skruer eller skrue skruerne meget fast.
- ◆ Hold altid værktøjet og skruetrækkeren i lige linje med skruen.
- ◆ Det anbefales at forbore i en dybde svarende til skruens længde, når der skrues i træ. Derved bliver det nemmere at styre skruen, og træet splintrer og vrides ikke. Se tabellen nedenfor vedrørende forborings størrelse.
- ◆ Forbor i en dybde svarende til halvdelen af skruens længde, når der skrues i hårdt træ. Se tabellen nedenfor vedrørende forborings størrelse.

Skruestørrelse	Forborings ø (blødt træ)	Forborings ø (hårdt træ)	Frigangshul
Nr. 6 (3.5 mm)	2.0 mm	2.5 mm	3.6 mm
Nr. 8 (4 mm)	2.5 mm	3.0 mm	4.5 mm
Nr. 10 (5 mm)	3.0 mm	3.5 mm	5.0 mm

Forboring af huller

- ◆ Udøv altid et let tryk i en lige linje med borebitten.
- ◆ Reducer trykket på værktøjet, lige før borets spids går gennem den anden side af arbejdsemnet.
- ◆ Brug en træklods på bagsiden af arbejdsemner, der kan splintre.
- ◆ Lav en fordybning med en kørner i midten af det hul, der skal bores, for at forbedre nøjagtigheden.

Tilbehør

Værktøjets ydeevne afhænger af det anvendte tilbehør. Tilbehør fra BLACK+DECKER og Piranha er fremstillet efter høje kvalitetsstandarder og er designet til at forbedre dit værktøjs ydeevne. Når du bruger dette tilbehør, vil værktøjet yde optimalt.

Til dette værktøj skal der anvendes bits med sekskantet 1/4" (6.35mm) fatning. Piranha Super-lok-tilbehør er beregnet til brug sammen med dette værktøj.

Vedligeholdelse

Dit BLACK+DECKER-værktøj er beregnet til brug gennem lang tid med et minimum af vedligeholdelse. Fortsat tilfredsstillende drift afhænger af korrekt behandling af værktøjet samt regelmæssig rengøring.

Laderen kræver ingen vedligeholdelse, men skal rengøres jævnligt.

Advarsel! Før udførelse af nogen form for vedligeholdelse på værktøjet: Tag laderen ud af stikkontakten, inden den rengøres.

- ◆ Rens jævnligt værktøjets og laderens ventilationshuller med en blød børste eller en tør klud.
- ◆ Rens regelmæssigt motorhuset med en fugtig klud. Der må ikke bruges skuremidler eller opløsningsmidler.
- ◆ Åbn jævnligt patronen, og bank på den for at fjerne støv indvendigt.

Miljø



Separat bortskaffelse. Dette produkt må ikke bortskaffes sammen med almindeligt husholdningsaffald.

Når dit BLACK+DECKER-produkt en dag er udtjent, eller du ikke længere har brug for det, må du ikke smide det ud sammen med det almindelige affald. Produktet skal bortskaffes separat.



Ved separat bortskaffelse af brugte produkter og emballage bliver der mulighed for at genanvende forskellige materialer.

Genanvendelse af materialer medvirker til at forebygge miljøforurening og mindsker behovet for råstoffer.

Lokal lovgivning kan kræve separat indsamling af elektriske husholdningsapparater på kommunale affaldsdepoter eller af den detailhandlende ved køb af et nyt produkt.

BLACK+DECKER sørger for at indsamle og genanvende BLACK+DECKER-produkter, når disse ikke længere kan bruges. Hvis du vil benytte dig af denne service, skal du returnere produktet til et autoriseret værksted, der indsamler produkterne for os.

Kontakt det lokale BLACK+DECKER-kontor på den adresse, der er opgivet i denne vejledning, for at få oplysninger om nærmeste autoriserede værksted. En liste over alle autoriserede BLACK+DECKER-serviceværksteder samt servicevilkår og kontaktpersoner er tilgængelig på internettet på adressen: www.2helpU.com

Batterier



Der er ingen dele inde i kabinettet, som kan serviceres af brugeren.

- ◆ Aflever hele enheden til dit værksted eller et lokalt opsamlingssted ved udløb af produktets levetid med henblik på genbrug af batteriet. Smid ikke enheden ud sammen med husholdningsaffald.

Tekniske data

CS351LC (H1)		
Spænding	V_{DC}	3.6
Hastighed uden belastning	min^{-1}	180
Stilstandsmoment	Nm	5.84
Maks. moment	Nm	5.0
Bitholder	mm	6.35 (1/4")
Vægt	kg	0.32

Batteri 906146** H1		
Spænding	V	3.6
Batteritype		Li-Ion
Ah-kapacitet		1.5

Lader 905450** H1		
Spænding	V_{AC}	230
Ladetid ca.	t	15
Vægt	kg	0.14

Lydtryk niveau i henhold til EN 60745:	
Lydtryk (L_{pA})	60 dB(A), usikkerhed (K) 3 dB(A)
Lydeffekt (L_{WA})	71 dB(A), usikkerhed (K) 3 dB(A)

Samlede værdier for vibration (triaksial vektorsum) i henhold til EN 60745:	
Iskrining uden slag ($a_{h,IS}$)	0.3 m/s^2 , usikkerhed (K) 1.5 m/s^2

EU-overensstemmelseserklæring

MASKINDIREKTIV



CS3651LC

Black & Decker erklærer, at produkterne beskrevet under

"Tekniske data" er i overensstemmelse med:

2006/42/EF, EN 60745-1, EN 60745-2-2

Disse produkter er endvidere i overensstemmelse med direktiv 2014/30/EU og 2011/65/EU. Kontakt Black & Decker på nedenstående adresse, eller se vejledningens

bagside for at få flere oplysninger.

Undertegnede er ansvarlig for udarbejdelsen af den tekniske fil og fremsætter denne erklæring på vegne af

Black & Decker.

R. Laverick
Engineering Manager
Black & Decker Europe, 210 Bath Road, Slough,
Berkshire, SL1 3YD
Storbritannien
23/10/2014

Garanti

Black & Decker garanterer, at produktet er fri for skader og fejl, og tilbyder en fremragende garanti. Garantien er et tillæg til forbrugers lovsikrede rettigheder og påvirker ikke disse. Garantien gælder inden for medlemsstaterne af den Europæiske Union og i det Europæiske Frihandelsområde.

Hvis et Black & Decker-produkt går i stykker på grund af materiel skade og/eller fabrikationsfejl eller på anden måde ikke fungerer i overensstemmelse med specifikationen inden for 24 måneder fra købsdatoen, påtager Black & Decker sig at reparere eller ombytte produktet med mindst mulig ulempe for kunden. Garantien gælder ikke for fejl og mangler, der er sket i forbindelse med:

- ◆ Produktet har været anvendt erhvervsmæssigt eller til udlejning.
- ◆ Produktet har været anvendt forkert eller er ikke vedligeholdt.
- ◆ Produktet er beskadiget af fremmedlegemer, substanser eller pga. uheld.
- ◆ Garantien gælder ikke, hvis reparationer er udført af andre end et autoriseret Black & Decker-værksted.

For at udnytte garantien skal produktet og købskvitteringen indleveres til forhandleren eller til et autoriseret værksted. Kontakt det lokale Black & Decker-kontor på den adresse, der er opgivet i denne vejledning, for at få oplysninger om nærmeste autoriserede værksted. En liste over alle autoriserede Black & Decker-serviceværksteder samt servicevilkår og kontaktpersoner er tilgængelig på internettet på adressen: www.2helpU.com

Gå venligst ind på vores website www.blackanddecker.dk for at registrere dit nye BLACK+DECKER-produkt og for at blive holdt ajour om nye produkter og specialtilbud. Der findes yderligere oplysninger om mærket BLACK+DECKER og vores produktsortiment på adressen www.blackanddecker.dk

Käyttötarkoitus

BLACK+DECKER-ruuvinväännin on suunniteltu ruuvaamiseen. Tämä työkalu on tarkoitettu vain yksityiskäyttöön.

Turvallisuusohjeet

Sähkötyökalujen yleiset turvavaroitukset



Varoitus! Lue kaikki turvavaroitukset ja ohjeet. Alla olevien varoitusten ja ohjeiden noudattamisen laiminlyönti saattaa johtaa sähköiskuun, tulipaloon ja/tai vakavaan loukkaantumiseen.

Säästä kaikki varoitukset ja ohjeet tulevaa käyttöä varten. Ohjeissa käytetty käsite "sähkötyökalu" tarkoittaa verkkokäyttöisiä sähkötyökaluja (verkkojohdolla varustettuja) ja akkukäyttöisiä sähkötyökaluja (ilman verkkojohtoa).

1. Työalueen turvallisuus

- a. **Pidä työalue puhtaana ja hyvin valaistuna.** Työpaikan epäjärjestys ja valaisemattomat työalueet voivat johtaa tapaturmiin.
- b. **Älä käytä sähkötyökalua räjähdysalttiissa ympäristössä, jossa on palavaa nestettä, kaasua tai pölyä.** Sähkötyökalu muodostaa kipinöitä, jotka saattavat sytyttää pölyn tai höyryt.
- c. **Pidä lapset ja sivulliset loitolla sähkötyökalua käyttäessäsi.** Voit menettää laitteesi hallinnan huomiosi suuntautuessa muualle.

2. Sähköturvallisuus

- a. **Sähkötyökalun pistokkeen on sovittava pistorasiaan. Pistoketta ei saa muuttaa millään tavalla. Älä käytä mitään pistorasiasovittimia maadoitettujen sähkötyökalujen kanssa.** Alkuperäiset pistokkeet ja niille sopivat pistorasiat vähentävät sähköiskun vaaraa.
- b. **Vältä koskettamasta maadoitettuja pintoja, kuten putkia, pattereita, liesiä tai jääkaappeja.** Sähköiskun vaara kasvaa, jos vartalosi on maadoitettu.

- c. **Älä altista sähkötyökalua sateelle tai kosteudelle.** Veden tunkeutuminen sähkötyökalun sisään kasvattaa sähköiskun riskiä.
- d. **Älä käsittele virtajohtoa kovakouraisesti. Älä käytä sitä sähkötyökalun kantamiseen, vetämiseen tai pistokkeen irrottamiseen pistorasiasta. Pidä johto loitolla kuumuudesta, öljystä, terävistä reunoista ja liikkuvista osista.** Vahingoittuneet tai sotkeutuneet johdot lisäävät sähköiskun vaaraa.
- e. **Käyttäessäsi sähkötyökalua ulkona käytä ainoastaan ulkokäyttöön soveltuvaa jatkojohtoa.** Ulkokäyttöön soveltuvan jatkojohdon käyttö pienentää sähköiskun vaaraa.
- f. **Jos sähkötyökalua on välttämättä käytettävä kosteassa paikassa, käytä jäännösvirtalaitteella (RCD) suojattua virtalähdettä.** Jäännösvirtalaitteen käyttö vähentää sähköiskun vaaraa.

3. Henkilöturvallisuus

- a. **Keskity työskentelyysi ja noudata tervettä järkeä käyttäessäsi sähkötyökaluja. Älä käytä sähkötyökalua, jos olet väsynyt tai huumeiden, alkoholin tai lääkkeiden vaikutuksen alaisena.** Hetken tarkkaamattomuus sähkötyökalua käytettäessä saattaa johtaa vakavaan loukkaantumiseen.
- b. **Käytä henkilökohtaisia suojarusteita. Käytä aina suojalaseja.** Suojarusteet, kuten hengityssuojain, luistamattomat turvajalkineet, kypärä ja kuulosuojaimet, pienentävät loukkaantumisriskiä, jos niitä käytetään tilanteen mukaan oikein.
- c. **Vältä tahatonta käynnistämistä. Varmista, että virta on katkaistu käyttökytkimellä, ennen kuin liität laitteen virtalähteeseen ja/tai akkuun, nostat laitteen tai kannat sitä.** Onnettomuusvaara lisääntyy, jos kannat sähkötyökalua sormi käyttökytkimellä tai kytket työkalun virtajohdon pistorasiaan, kun käyttökytkin on päällä.
- d. **Irrota mahdollinen säätö- tai kiintoavain, ennen kuin käynnistät sahan.** Työkalu tai avain, joka sijaitsee sähkötyökalun pyörivässä osassa, saattaa johtaa loukkaantumiseen.

- e. **Älä kurkota liian kauas. Seiso aina tukevasti ja tasapainossa.** Niin voit paremmin hallita sähkötyökalua odottamattomissa tilanteissa.
- f. **Käytä tarkoitukseen soveltuvia vaatteita. Älä käytä löysiä työvaatteita tai koruja. Pidä hiukset, vaatteet ja käsineet loitolla liikkuvista osista.** Väljät vaatteet, korut ja pitkät hiukset voivat takertua liikkuviin osiin.
- g. **Jos laitteeseen voi kiinnittää pölynkerääjän tai -imurin, tarkista, että se on paikallaan ja että se toimii kunnolla.** Pölynimurin käyttö voi vähentää pölyn aiheuttamia vaaroja.
4. **Sähkötyökalujen käyttö ja hoito**
- a. **Älä ylikuormita sähkötyökalua. Käytä kulloiseenkin työhön parhaiten soveltuvaa sähkötyökalua.** Sopivaa sähkötyökalua käyttäen työskentelet paremmin ja turvallisemmin tehoalueella, jolle sähkötyökalu on tarkoitettu.
- b. **Älä käytä sähkötyökalua, jota ei voida käynnistää ja pysäyttää virtakytkimestä.** Jos sähkötyökalua ei voi käynnistää ja pysäyttää virtakytkimellä, se on vaarallinen ja se täytyy korjata.
- c. **Irrota pistotulppa pistorasiasta ja/tai akku sähkötyökalusta, ennen kuin suoritat säätöjä, vaihdat tarvikkeita tai siirrät sähkötyökalun varastoitavaksi.** Nämä turvatoimenpiteet pienentävät sähkötyökalun tahattoman käynnistämisen riskiä.
- d. **Säilytä sähkötyökalut poissa lasten ulottuvilta, kun niitä ei käytetä. Älä anna sähkötyökalua sellaisen henkilön käyttöön, joka ei tunne sitä tai joka ei ole tutustunut tähän käyttöohjeeseen.** Sähkötyökalut ovat vaarallisia, jos niitä käyttävät kokemattomat henkilöt.
- e. **Hoida sähkötyökalusi huolella. Tarkista, että liikkuvat osat toimivat moitteettomasti ja etteivät ne ole puristuksessa. Tarkista myös, ettei työkalussa ei ole murtuneita tai vahingoittuneita osia, jotka saattaisivat vaikuttaa haitallisesti sen toimintaan. Korjauta mahdolliset viat ennen käyttöönottoa.** Moni tapaturma aiheutuu huonosti huolletuista laitteista.
- f. **Pidä leikkausterät terävinä ja puhtaina.** Huolellisesti hoidetut leikkausterät, joiden leikkausreunat ovat teräviä, eivät tartu helposti kiinni, ja niitä on helpompi hallita.
- g. **Käytä sähkötyökaluja, tarvikkeita, vaihtotyökaluja jne. näiden ohjeiden mukaisesti. Ota tällöin huomioon työolosuhteet ja suoritettava toimenpide.** Sähkötyökalun käyttö muuhun kuin sille määrättyyn käyttöön saattaa johtaa vaarallisiin tilanteisiin.
5. **Akkukäyttöisten työkalujen käyttö ja hoito**
- a. **Lataa akku vain valmistajan määrittelemällä laturilla.** Laturi, joka soveltuu määrätyn tyyppiselle akulle, saattaa aiheuttaa tulipalon vaaran erilaista akkua ladattaessa.
- b. **Käytä sähkötyökalussa ainoastaan kyseiseen sähkötyökaluun tarkoitettua akkua.** Muun tyyppisen akun käyttö saattaa johtaa loukkaantumiseen ja tulipaloon.
- c. **Pidä irrallinen akku loitolla metalliesineistä, kuten paperiliittimistä, kolikoista, avaimista, nauloista, ruuveista tai muista pienistä metalliesineistä, jotka voivat aiheuttaa oikosulun akun navoissa.** Akun napojen välinen oikosulku saattaa aiheuttaa palovammoja tai tulipalon.
- d. **Väärin käytetystä akusta voi vuotaa nestettä. Älä kosketa sitä. Jos nestettä pääsee vahingossa iholle, huuhtele kosketuskohta vedellä. Jos nestettä pääsee silmiin, tarvitaan lisäksi lääkärin apua.** Akusta vuotava neste saattaa aiheuttaa ärsytystä ja palovammoja.
6. **Huolto**
- a. **Korjauta sähkötyökalu koulutetulla ja ammattitaitoisella henkilöllä ja hyväksy korjauksiin vain alkuperäisiä varaosia.** Siten varmistat, että sähkötyökalu säilyy turvallisena.

Sähkötyökalujen lisäturvavaroitukset



Varoitus! Ruuvinvääntimien ja iskuvään-
ninten lisäturvavaroitukset

- ◆ **Käytä kuulosuojaimia iskuporakonetta käyttäessäsi.** Altistuminen melulle voi aiheuttaa kuulovaurioita.
- ◆ **Käytä työkalun mukana toimitettuja apukahvoja.** Otteen menettäminen voi aiheuttaa tapaturman.
- ◆ **Pitele sähkötyökalua eristetyistä tartuntapinnoista, kun teet työtä, jossa kiinnitin voi joutua kosketuksiin piilossa olevien sähköjohtojen kanssa.** Työkalun kiinnittimen kosketus jännitteisen johtimen kanssa voi tehdä myös työkalun paljaista metalliosista jännitteisiä ja aiheuttaa sähköiskun käyttäjälle.
- ◆ **Kiinnitä työstettävä kappale esimerkiksi ruuvipuristimella tukevaan alustaan.** Kappaleen kannatteleminen käsin tai sen tukeminen omaa kehoa vasten voi johtaa kappaleen irtoamiseen ja vaaratilanteeseen.
- ◆ Työkalun käyttötarkoitus on kuvattu tässä käyttöohjeessa. Käytä työkalua ainoastaan sellaiseen työhön, johon se on tarkoitettu, ja käytä vain tässä käyttöohjeessa suositeltuja tarvikkeita ja lisälaitteita. Ohjeesta poikkeava käyttö voi aiheuttaa henkilö- ja/tai omaisuusvahinkoja.



Varoitus! Iskuvääntimet eivät ole momenttiavaimia. Älä käytä tätä työkalua kiinnittimien kiristämiseen tiettyyn vääntömomenttiin. Momenttiavaimen kaltaista itsenäistä, kalibroitua vääntömomentin mittauslaitetta on käytettävä, kun ali- tai ylikiristetyt kiinnittimet voivat johtaa liitoksen pettämiseen.

Muiden turvallisuus

- ◆ Tätä laitetta ei ole tarkoitettu sellaisten henkilöiden käyttöön, joilla on fyysisiä tai älyllisiä rajoitteita tai aistirajoitteita, eikä laitteen toimintaan perehtymättömien henkilöiden käyttöön (lapset mukaan luettuina), paitsi valvonnan alaisina tai jos he ovat saaneet laitteen käyttöön liittyvää opastusta heidän turvallisuudestaan vastaavalta henkilöltä.
- ◆ Lapsia on valvottava ja heitä on estettävä leikkimästä laitteella.

Muut riskit.

Myös muut kuin turvavaroituksissa mainitut riskit ovat mahdollisia työkalua käytettäessä. Nämä riskit voivat liittyä muun muassa virheelliseen tai pitkäaikaiseen käyttöön. Tiettyjä jäännösriskejä ei voi välttää, vaikka noudatat kaikkia turvamääräyksiä ja käytät turvalaitteita. Näihin kuuluvat muun muassa

- ◆ pyörievien tai liikkuvien osien koskettamisen aiheuttamat vahingot
- ◆ osia, teriä tai lisävarusteita vaihdettaessa aiheutuneet vahingot
- ◆ työkalun pitkäaikaisen käytön aiheuttamat vahingot
Kun käytät työkalua pitkään, varmista, että pidät säännöllisesti taukoja.
- ◆ kuulovauriot
- ◆ työkalua käytettäessä (esimerkiksi puuta, erityisesti tammea, pyökkiä ja MDF-levyjä, käsiteltäessä) syntyneen pölyn sisäänhengityksen aiheuttamat terveystriskit.

Tärinä

Teknisissä tiedoissa ja vaatimustenmukaisuusilmoituksessa ilmoitettu tärinäpäästöarvo on mitattu standardin EN 60745 testausmenetelmän mukaisesti, ja sen avulla voidaan vertailla työkaluja keskenään. Ilmoitettua tärinäpäästöarvoa voidaan käyttää myös altistumisen alustavaan arviointiin.

Varoitus! Sähkötyökalun käytön aikana mitattu todellinen tärinäpäästöarvo voi poiketa ilmoitetusta tärinäpäästöarvosta työkalun käyttötavan mukaan. Tärinätaaso voi olla ilmoitettua tasoa suurempi.

Kun tärinälle altistumista arvioidaan sen määrittämiseksi, mitä direktiivin 2002/44/EY mukaisia turvatoimenpiteitä vaaditaan sähkötyökaluja säännöllisesti käyttävien henkilöiden suojelemiseksi, tärinälle altistumisen arvioinnissa on otettava huomioon todelliset käyttöolosuhteet ja työkalun käyttötavat. Todellisen käytön lisäksi on kiinnitettävä huomiota myös siihen, milloin työkalu on sammutettuna tai se käy tyhjäkäynnillä.

Laitteessa olevat merkinnät

Työkalussa on seuraavat kuvamerkinnot:



Varoitus! Käyttäjän on luettava käyttöohje vahinkojen välttämiseksi.

Akkuja ja laturia koskevat lisäturvaohjeet

Akku

- ◆ Älä koskaan yritä avata akkua.
- ◆ Älä anna akun kastua.
- ◆ Älä säilytä akkua tiloissa, joissa lämpötila voi nousta yli 40 °C:een.
- ◆ Lataa akku paikassa, jonka lämpötila on vähintään +10 °C ja enintään +40 °C.
- ◆ Lataa akku ainoastaan työkalun mukana toimitetulla laturilla.
- ◆ Noudata akkujen hävittämisessä Ympäristönsuojelukohdassa esitettyjä ohjeita.

Laturit

- ◆ Käytä BLACK+DECKER-laturia vain laitteen mukana toimitetun akun lataamiseen. Muut akut voivat räjähtää ja aiheuttaa henkilövahinkoja tai aineellisia vahinkoja.
- ◆ Älä koskaan yritä ladata paristoja, joita ei ole tarkoitettu ladattavaksi.
- ◆ Vaihda vialliset johdot välittömästi ehjiin.
- ◆ Älä altista laturia vedelle.
- ◆ Älä avaa laturia.
- ◆ Älä työnnä mitään laturin sisään.



Laturi on tarkoitettu ainoastaan sisäkäyttöön.



Lue käyttöohjeet huolellisesti ennen laitteen käyttöä.



Toimintavarma eristävä muuntaja. Muuntajalähtö on eristetty sähköisestä verkosta.



Laturi kytkeytyy automaattisesti pois päältä, jos ympäröivä lämpötila nousee liian korkeaksi. Tällöin laturia ei voi enää käyttää. Irrota yksikkö verkkovirrasta ja vie se valtuutettuun huoltoon korjattavaksi.

Sähköturvallisuus



Laturi on kaksoiseristetty, joten erillistä maadoitusta ei tarvita. Tarkista aina, että verkkojännite vastaa arvokilvessä ilmoitettua jännitettä. Älä yritä korvata laturiyksikköä tavallisella verkkopistokkeella.

- ◆ Jos virtajohto vahingoittuu, sen vaihtaminen on turvallisuussyistä jätettävä valmistajan tai valtuutetun BLACK+DECKER-huollon tehtäväksi.

Varoitus! Älä yritä korvata laturiyksikköä tavallisella verkkopistokkeella.

Yleiskuvaus

Tässä työkalussa on joitakin tai kaikki seuraavista ominaisuuksista.

1. Virtakytkin
2. Eteen-/taaksepäin-liukusäädin
3. Kärkipidike
4. LED-työvalo
5. Laturi
6. Laturin pistoke
7. Laturiliitäntä

Kokoaminen

Poranterä- tai ruuvikärjen kiinnittäminen ja poistaminen (kuva B)

Työkalussa käytetään poranterä- ja ruuvikärkiä, joissa on 6.35 millimetrin (1/4 tuuman) kuusikulmainen varsi.

- ◆ Kiinnitä kärki työntämällä avaimen varsi kärkipidikkeeseen (3).
- ◆ Irrota kärki vetämällä avaimen varsi ulos kärkipidikkeestä (3).

Huom! Kuvissa E–J näkyvä suorakulmainen lisäosa ei välttämättä sisälly työkalun toimitukseen.

Käyttö

Varoitus! Anna työkalun käydä omaan tahtiinsa. Älä ylikuormita sitä.

- ◆ Ennen ensimmäistä käyttökertaa akkua on ladattava vähintään 15 tuntia.

Akun lataaminen (kuva C)

- ◆ Työnnä laturin pistoke (6) laturin liitintään (7).
- ◆ Liitä laturi (5) virtalähteeseen.
- ◆ Anna laitteen olla liitettynä laturiin 15 tuntia.

Laturi voi surista ja lämmetä ladattaessa. Tämä on normaalia, eikä se ole merkki mistään viasta.

Varoitus! Lataa CS3651LC ainoastaan työkalun mukana toimitetulla laturilla.

Varoitus! Älä lataa akkua, jos ympäristön lämpötila on alle +10 °C tai yli +40 °C.

Pyörimissuunnan valitseminen (kuva D)

Käytä poraamiseen ja ruuvien kiristämiseen eteenpäin suuntautuvaa pyörimisliikettä. Käytä ruuvien irrottamiseen tai jumiutuneen poran irrottamiseen taaksepäin suuntautuvaa pyörimisliikettä.

- ◆ Valitse pyörimissuunta eteenpäin työntämällä eteen-/taaksepäin-liikusäädin (2) etuasentoon.
- ◆ Valitse pyörimissuunta taaksepäin työntämällä eteen-/taaksepäin-liikusäädin (2) taka-asentoon.
- ◆ Lukitse työkalu siirtämällä eteen-/taaksepäin-liikusäädin keskelle.

Poraaminen ja ruuvien kiinnittäminen

- ◆ Valitse pyörimissuunta eteen- tai taaksepäin eteen-/taaksepäin-liikusäätimellä (2).
- ◆ Käynnistä laite painamalla virtakytkintä (1).
- ◆ Sammuta laite vapauttamalla virtakytkin (1).

LED-työvalo

LED-työvalo (4) aktivoituu automaattisesti, kun virtakytkintä painetaan. LED-valo syttyy myös silloin, kun liipaisinta painetaan ja eteen-/taaksepäin-liikusäädin (2) on lukitussa asennossa (keskiasennossa).

Vinkkejä parhaimman tuloksen saavuttamiseksi

Ruuvien kiinnittäminen

- ◆ Käytä aina oikeantyyppistä ja -kokoista ruuvikärkeä.
- ◆ Jos ruuvien kiristäminen on hankalaa, kokeile käyttää liukasteena pientä määrää pesunestettä tai saippuaa.
- ◆ Voit löysätä erittäin tiukassa olevia ruuveja tai kiristää ruuveja karan lukituksella.
- ◆ Pidä aina työkalu ja ruuvikärki suorassa linjassa ruuviin nähden.
- ◆ Puuhun ruuvattaessa on suositeltavaa porata ruuvin pituutta vastaava aloitusreikä. Aloitusreikä ohjaa ruuvia ja estää puun halkeamisen ja vääntymisen. Katso aloitusreiän optimaalinen koko oheisesta taulukosta.
- ◆ Kovaan puuhun ruuvattaessa on suositeltavaa porata puolta ruuvin pituutta vastaava tyhjennysreikä. Katso tyhjennysreiän optimaalinen koko oheisestä taulukosta.

Ruuvin koko	Aloitusreikä ø (pehmeä puu)	Aloitusreikä ø (kova puu)	Tyhjennys- reikä
Nro 6 (3.5 mm)	2.0 mm	2.5 mm	3.6 mm
Nro 8 (4 mm)	2.5 mm	3.0 mm	4.5 mm
Nro 10 (5 mm)	3.0 mm	3.5 mm	5.0 mm

Aloitusreikien poraaminen

- ◆ Paina aina kevyesti ja suoraan poranterän suuntaisesti.
- ◆ Vähennä työkaluun kohdistuvaa painetta juuri ennen kuin porantera lävistää työkappaleen.
- ◆ Aseta puukappale mahdollisesti säilytyvien työkalupaleiden taakse.
- ◆ Tee kolo porattavan kohdan keskipisteeseen, sillä tämä parantaa tarkkuutta.

Lisävarusteet

Työkalun suorituskyky riippuu käytetystä lisävarusteesta. Korkealaatuiset BLACK+DECKER- ja Piranha -lisävarusteet on suunniteltu parantamaan työkalun suorituskykyä. Käyttämällä näitä lisävarusteita saat työkalustasi parhaan hyödyn.

Työkalussa käytetään ruuvikärkiä, joissa on 6.35 millimetrin (1/4 tuuman) kuusikulmainen varsi. Piranha Super-lok -lisätarvikkeet on suunniteltu käytettäväksi tämän työkalun kanssa.

Huolto

BLACK+DECKER-työkalu on suunniteltu toimimaan mahdollisimman pitkän aikaa mahdollisimman vähällä huollolla. Oikealla huollolla ja säännöllisellä puhdistuksella kone säilyttää suorituskykynsä.

Laturi ei tarvitse säännöllisen puhdistamisen lisäksi mitään muuta huoltoa.

Varoitus! Ennen huoltamista ja puhdistamista laite on irrotettava laturista.

- ◆ Puhdista työkalun ja laturin ilma-aukot säännöllisesti pehmeällä harjalla tai kuivalla liinalla.
- ◆ Puhdista moottorin kotelo säännöllisesti kostealla rätillä. Älä koskaan käytä puhdistamiseen liuotinaineita tai syövyttäviä puhdistusaineita.
- ◆ Avaa istukka säännöllisesti ja naputtele pöly pois sen sisältä.

Ympäristönsuojelu



Erillinen keräys. Tätä tuotetta ei saa hävittää normaalin kotitalousjätteen mukana.

Kun BLACK+DECKER-laitteesi aikanaan täytyy vaihtaa tai ei kelpaa enää käyttöön, älä hävitä laitetta kotitalousjätteen mukana. Toimita laite kierrätettäväksi.



Käytettyjen tuotteiden ja pakkausmateriaalien erilliskeruun avulla materiaalit voidaan kierrättää ja käyttää uudelleen.

Kierrätysmateriaalien käyttö auttaa vähentämään ympäristön saastumista ja uusien raaka-aineiden tarvetta.

Paikallisissa säädöksissä voidaan määrätä, että kodin sähkötuotteiden keruu tapahtuu kaupunkien jätteidenkäsittelyasemilla tai laitteita myyvissä liikkeissä uuden tuotteen oston yhteydessä.

Kun laitteesi on käytetty loppuun, älä hävitä sitä tavallisten roskien mukana, Vie tuotteesi valtuutettuun huoltoliikkeeseen, joka kerää vanhat laitteet puolestamme.

Saat valtuutettujen huoltoliikkeiden yhteystiedot ottamalla yhteyden BLACK+DECKERiin tässä käyttöoppaassa ilmoitetussa osoitteessa. Valtuutettujen BLACK+DECKER-huoltoliikkeiden yhteystiedot sekä lisätietoja palveluistamme ja takuehdoista on myös Internetissä osoitteessa www.2helpU.com.

Akku



Sen sisällä ei ole käyttäjän huollettavissa olevia osia.

- ◆ Kun tuote on tullut elinkaarensa päähän, toimita laite kokonaisuudessaan huoltoliikkeeseen tai paikalliseen kierrätyspisteeseen akun kierrätystä varten. Älä hävitä laitetta talousjätteen mukana.

Tekniset tiedot

CS351LC (H1)		
Jännite	V_{DC}	3.6
Kuormittamaton nopeus	min^{-1}	180
Voimakkaan pysähdysten sakkauväntömomentti	Nm	5.84
Suurin mahdollinen väntömomentti	Nm	5.0
Kärkipidike	mm	6.35 (1/4")
Paino	kg	0.32

Akku 906146** H1		
Jännite	V	3.6
Akun tyyppi		Li-Ion
Ampeerituntikapasiteetti		1.5

Laturi 905450** H1		
Jännite	V_{AC}	230
Arvioitu latausaika	h	15
Paino	kg	0.14

Äänenpainetaso standardin EN 60745 mukaisesti:		
Äänenpaine (L_{pA}) 60 dB(A), epävarmuus (K) 3 dB(A)		
Äänitehotaso (L_{WA}) 71 dB(A), epävarmuus (K) 3 dB(A)		

Tärinän kokonaisarvot (vektorisumma) standardin EN 60745 mukaisesti:		
Ruuvinväntö ilman iskutoimintaa ($a_{h,IS}$) 0.3 m/s^2 , epävarmuus (K) 1.5 m/s^2		

EY-vaatimustenmukaisuusvakuutus

KONEDIREKTIIVI



CS3651LC

Black & Decker ilmoittaa, että tuotteet, jotka on kuvattu kohdassa Tekniset tiedot, täyttävät seuraavien direktiivien

vaatimukset:

2006/42/EY, EN 60745-1, EN 60745-2-2

Nämä tuotteet täyttävät myös direktiivien 2014/30/EU ja 2011/65/EU vaatimukset. Lisätietoja saa ottamalla yhteyden Black & Deckeriin seuraavassa osoitteessa. Tiedot

ovat myös käyttöohjeen takakannessa.

Allekirjoittanut vastaa teknisten tietojen kokoamisesta tehden tämän ilmoituksen Black & Deckerin puolesta.

R. Laverick
Engineering Manager
Black & Decker Europe, 210 Bath Road, Slough,
Berkshire, SL1 3YD
Yhdistynyt kuningaskunta
23/10/2014

Takuu

Black & Decker takaa, ettei tuotteessa ole materiaali- ja/tai valmistusvikaa silloin, kun se toimitetaan ostajalle. Takuu on lisäys kuluttajan laillisiin oikeuksiin eikä vaikuta niihin. Takuu on voimassa Euroopan unionin jäsenmaissa ja Euroopan vapaakauppa-alueella (EFTA).

Mikäli Black & Decker -kone hajoaa materiaali- ja/tai valmistusvirheen tai teknisten tietojen epätarkkuuden vuoksi 24 kk:n kuluessa ostopäivästä, Black & Decker korjaa koneen ilman kustannuksia ostajalle tai vaihtaa sen Black & Decker Oy:n valinnan mukaan. Takuu ei kata vikoja, jotka johtuvat seuraavista:

- ◆ Tuotetta on käytetty kaupallisesti, ammattimaisesti tai vuokraukseen.
- ◆ Tuotetta on käytetty tai hoidettu virheellisesti.
- ◆ Tuotetta on vahingoitettu vieraalla esineellä tai aineella tai se on ollut onnettomuudessa.
- ◆ Jos korjauksia on yrittänyt joku muu kuin Black & Deckerin valtuuttama edustaja tai Black & Deckerin henkilökunta.

Edellytyksenä takuun saamiselle on, että ostaja jättää koneen ja ostokuitin jälleenmyyjälle tai valtuutetulle huoltoliikkeelle. Saat valtuutettujen huoltoliikkeiden yhteystiedot ottamalla yhteyden Black & Decker Oy:hyn tässä käyttöoppaassa ilmoitetussa osoitteessa. Valtuutettujen Black & Decker -huoltoliikkeiden yhteystiedot sekä lisätietoja palveluistamme ja takuuehdoista on myös Internetissä osoitteessa www.2helpU.com

Voit vieraila verkkosivuillamme www.blackanddecker.fi rekisteröidäksesi uuden BLACK+DECKER-tuotteesi ja saadaaksesi tietoa uusista tuotteista ja erikoistarjouksista. Saat lisätietoja BLACK+DECKER-tavaramerkistä ja tuotevalikoimastamme osoitteesta www.blackanddecker.fi.

Ενδεδειγμένη χρήση

Το κατσαβίδι σας BLACK+DECKER έχει σχεδιαστεί για εφαρμογές βιδώματος. Αυτό το εργαλείο προορίζεται μόνο για ερασιτεχνική χρήση.

Οδηγίες ασφαλείας

Γενικές προειδοποιήσεις ασφαλείας για τα ηλεκτρικά εργαλεία



Προειδοποίηση! Διαβάστε όλες τις προειδοποιήσεις ασφαλείας και όλες τις οδηγίες. Η μη τήρηση των παρακάτω προειδοποιήσεων και οδηγιών μπορεί να προκαλέσει ηλεκτροπληξία, πυρκαγιά ή/και σοβαρούς τραυματισμούς.

Φυλάξτε όλες τις προειδοποιήσεις και τις οδηγίες για μελλοντική αναφορά. Ο χαρακτηρισμός "ηλεκτρικό εργαλείο" που χρησιμοποιείται σε όλες τις παρακάτω προειδοποιήσεις αναφέρεται σε εργαλεία που συνδέονται στην πρίζα (με καλώδιο) ή σε εργαλεία που λειτουργούν με μπαταρία (χωρίς καλώδιο).

1. Ασφάλεια χώρου εργασίας

- α. **Διατηρείτε το χώρο εργασίας καθαρό και καλά φωτισμένο.** Οι ακατάστατοι χώροι και τα σημεία χωρίς καλό φωτισμό προκαλούν ατυχήματα.
- β. **Μην χρησιμοποιείτε ηλεκτρικά εργαλεία σε περιβάλλον όπου υπάρχει κίνδυνος έκρηξης, π.χ. παρουσία εύφλεκτων υγρών, αερίων ή σκόνης.** Τα ηλεκτρικά εργαλεία μπορεί να δημιουργήσουν σπινθηρισμό ο οποίος μπορεί να αναφλέξει τη σκόνη ή τις αναθυμιάσεις.
- γ. **Όταν χρησιμοποιείτε το ηλεκτρικό εργαλείο, κρατάτε τα παιδιά και τα υπόλοιπα άτομα μακριά από το χώρο εργασίας.** Εάν αποσπαστεί η προσοχή σας μπορεί να χάσετε τον έλεγχο.

2. Ασφαλής χρήση ηλεκτρικού ρεύματος

- α. **Το φως του καλωδίου του ηλεκτρικού εργαλείου πρέπει να ταιριάζει στην αντίστοιχη πρίζα. Δεν επιτρέπεται με κανέναν τρόπο η μετασκευή του φως. Μην χρησιμοποιείτε προσαρμοστικά φως με γειωμένα ηλεκτρικά εργαλεία.** Τα φως που δεν έχουν υποστεί τροποποιήσεις και οι κατάλληλες πρίζες μειώνουν τον κίνδυνο ηλεκτροπληξίας.
- β. **Αποφύγετε την επαφή του σώματός σας με γειωμένες επιφάνειες όπως σωλήνες, θερμομαντικά σώματα (καλοριφέρ), κουζίνες και ψυγεία.** Όταν το σώμα σας είναι γειωμένο, αυξάνεται ο κίνδυνος ηλεκτροπληξίας.
- γ. **Μην εκθέτετε τα ηλεκτρικά εργαλεία στη βροχή ή την υγρασία.** Η εισχώρηση νερού στο ηλεκτρικό εργαλείο αυξάνει τον κίνδυνο ηλεκτροπληξίας.
- δ. **Μην κακομεταχειρίζεστε το καλώδιο. Μην χρησιμοποιείτε ποτέ το καλώδιο για να μεταφέρετε το εργαλείο, να το τραβήξετε ή να το αποσυνδέσετε από την πρίζα. Κρατάτε το καλώδιο μακριά από θερμότητα, λάδια, αιχμηρά άκρα ή κινούμενα μέρη.** Τυχόν χαλασμένα ή μπερδεμένα καλώδια αυξάνουν τον κίνδυνο ηλεκτροπληξίας.
- ε. **Όταν χρησιμοποιείτε το ηλεκτρικό εργαλείο σε εξωτερικούς χώρους, να χρησιμοποιείτε πάντοτε καλώδια προέκτασης κατάλληλα για χρήση σε εξωτερικούς χώρους.** Η χρήση καλωδίου προέκτασης κατάλληλου για εργασία σε εξωτερικούς χώρους μειώνει τον κίνδυνο ηλεκτροπληξίας.
- στ. **Εάν η χρήση ενός ηλεκτρικού εργαλείου σε υγρή τοποθεσία είναι αναπόφευκτη, χρησιμοποιήστε μια Διάταξη Προστασίας Ρεύματος Διαρροής (RCD).** Η χρήση διάταξης RCD μειώνει τον κίνδυνο ηλεκτροπληξίας.

3. Προσωπική ασφάλεια

- α. Όταν χρησιμοποιείτε το ηλεκτρικό εργαλείο, να είστε προσεκτικοί, να δίνετε προσοχή στην εργασία που κάνετε και να επιστρατεύετε την κοινή λογική. Μην χρησιμοποιείτε το ηλεκτρικό εργαλείο όταν είστε κουρασμένοι ή όταν βρίσκεστε υπό την επήρεια ναρκωτικών, οινοπνεύματος ή φαρμάκων. Μια στιγμιαία απροσεξία κατά το χειρισμό του ηλεκτρικού εργαλείου μπορεί να οδηγήσει σε σοβαρούς τραυματισμούς.
- β. Να χρησιμοποιείτε εξοπλισμό προσωπικής προστασίας. Να φοράτε πάντα προστατευτικά γυαλιά. Ο κίνδυνος τραυματισμών μειώνεται όταν χρησιμοποιείτε εξοπλισμό προστασίας, όπως μάσκα προστασίας από σκόνη, αντιολισθητικά παπούτσια ασφαλείας, κράνη ή ωτασπίδες, ανάλογα με τις συνθήκες εργασίας.
- γ. Εμποδίστε την ακούσια ενεργοποίηση του εργαλείου. Βεβαιωθείτε ότι ο διακόπτης λειτουργίας βρίσκεται στη θέση "OFF" πριν συνδέσετε το εργαλείο στην πρίζα ή/και στην μπαταρία και πριν το σηκώσετε ή το μεταφέρετε. Η μεταφορά ηλεκτρικών εργαλείων με το δάχτυλό σας επάνω στο διακόπτη ή η σύνδεση στην πρίζα ηλεκτρικών εργαλείων με το διακόπτη στη θέση ενεργοποίησης, ενέχει κινδύνους πρόκλησης ατυχημάτων.
- δ. Πριν θέσετε το ηλεκτρικό εργαλείο σε λειτουργία, αφαιρέστε τυχόν εργαλεία ή κλειδιά ρύθμισης. Εάν αφήσετε ένα εργαλείο ή κλειδί πάνω σε κάποιο περιστρεφόμενο εξάρτημα ενός ηλεκτρικού εργαλείου μπορεί να προκληθούν τραυματισμοί.
- ε. Μην τεντώνεστε. Φροντίστε πάντοτε να έχετε την κατάλληλη στάση και να διατηρείτε την ισορροπία σας. Αυτό σας επιτρέπει τον καλύτερο έλεγχο του ηλεκτρικού εργαλείου σε περιπτώσεις απροσδόκητων καταστάσεων.
- στ. Φοράτε κατάλληλη ενδυμασία εργασίας. Μην φοράτε φαρδιά ρούχα ή κοσμήματα. Κρατάτε τα μαλλιά, τα ενδύματα και τα γάντια σας μακριά από τα κινούμενα εξαρτήματα. Τα φαρδιά ρούχα, τα κοσμήματα και τα μακριά μαλλιά μπορεί να εμπλακούν στα κινούμενα εξαρτήματα.

- ζ. Εάν παρέχονται διατάξεις απαγωγής και συλλογής σκόνης, βεβαιωθείτε ότι είναι συνδεδεμένες και ότι χρησιμοποιούνται σωστά. Η χρήση τέτοιων διατάξεων μειώνει τους κινδύνους που προέρχονται από τη σκόνη.
4. Χρήση και φροντίδα του ηλεκτρικού εργαλείου
- α. Μην υπερφορτώνετε το ηλεκτρικό εργαλείο. Χρησιμοποιείτε για την εκάστοτε εργασία σας το ηλεκτρικό εργαλείο που προορίζεται για αυτήν. Με το κατάλληλο ηλεκτρικό εργαλείο, εργάζεστε καλύτερα και ασφαλέστερα στην ονομαστική περιοχή ισχύος του.
- β. Μην χρησιμοποιήσετε ποτέ ένα ηλεκτρικό εργαλείο του οποίου ο διακόπτης λειτουργίας είναι χαλασμένος. Οποιοδήποτε ηλεκτρικό εργαλείο του οποίου η λειτουργία δεν μπορεί να ελεγχθεί με το διακόπτη είναι επικίνδυνο και πρέπει να επισκευαστεί.
- γ. Βγάλτε το φως από την πρίζα ή/και την μπαταρία από το ηλεκτρικό εργαλείο, πριν διεξαγάγετε κάποια εργασία ρύθμισης, πριν αλλάξετε κάποιο αξεσουάρ ή όταν πρόκειται να αποθηκεύσετε τα ηλεκτρικά εργαλεία. Αυτά τα προληπτικά μέτρα ασφαλείας μειώνουν τον κίνδυνο να τεθεί το εργαλείο ακούσια σε λειτουργία.
- δ. Να φυλάτε τα ηλεκτρικά εργαλεία που δε χρησιμοποιείτε μακριά από παιδιά. Μην αφήνετε άτομα που δεν είναι εξοικειωμένα με το ηλεκτρικό εργαλείο ή που δεν έχουν διαβάσει αυτές τις οδηγίες χρήσης να το χρησιμοποιήσουν. Τα ηλεκτρικά εργαλεία είναι επικίνδυνα όταν χρησιμοποιούνται από άτομα χωρίς κατάλληλη εκπαίδευση.

- ε. Να συντηρείτε τα ηλεκτρικά εργαλεία. Ελέγξτε εάν τα κινούμενα εξαρτήματα είναι σωστά ευθυγραμμισμένα ή μήπως έχουν μπλοκάρει, μήπως έχουν σπάσει κομμάτια, καθώς και εάν πληρούνται όλες οι υπόλοιπες προϋποθέσεις που ενδεχομένως να επηρεάσουν τη σωστή λειτουργία του εργαλείου. Δώστε τυχόν χαλασμένα εξαρτήματα του ηλεκτρικού εργαλείου για επισκευή πριν το χρησιμοποιήσετε πάλι. Η ανεπαρκής συντήρηση των ηλεκτρικών εργαλείων αποτελεί αιτία πολλών ατυχημάτων.**
- στ. Διατηρείτε τα κοπτικά εργαλεία κοφτερά και καθαρά.** Τα κοπτικά εργαλεία με αιχμηρά κοπτικά άκρα που συντηρούνται σωστά έχουν λιγότερες πιθανότητες να μπλοκάρουν και ελέγχονται ευκολότερα.
- ζ. Να χρησιμοποιείτε τα ηλεκτρικά εργαλεία, τα αξεσουάρ, τις μύτες εργαλείων κλπ. σύμφωνα με τις παρούσες οδηγίες, λαμβάνοντας υπόψη σας τις συνθήκες εργασίας και την εργασία που θέλετε να εκτελέσετε.** Η χρήση του ηλεκτρικού εργαλείου για εργασίες πέρα από τις προβλεπόμενες μπορεί να οδηγήσει σε επικίνδυνες καταστάσεις.
- 5. Χρήση και συντήρηση του εργαλείου μπαταρίας**
- α. Επαναφορτίζετε μόνο με το φορτιστή που καθορίζεται από τον κατασκευαστή.** Ένας φορτιστής που είναι κατάλληλος για έναν τύπο μπαταρίας μπορεί να προκαλέσει κίνδυνο πυρκαγιάς εάν χρησιμοποιηθεί με άλλη μπαταρία.
- β. Χρησιμοποιείτε τα ηλεκτρικά εργαλεία αποκλειστικά και μόνο με τις καθοριζόμενες μπαταρίες.** Η χρήση άλλων μπαταριών μπορεί να προκαλέσει κίνδυνο τραυματισμού και πυρκαγιάς.
- γ. Όταν η μπαταρία δε χρησιμοποιείται, μην την πλησιάζετε σε μεταλλικά αντικείμενα, όπως συνδετήρες, κέρματα, κλειδιά, καρφιά, βίδες ή άλλα μικρά μεταλλικά αντικείμενα που μπορούν να βραχυκυκλώσουν τους δύο ακροδέκτες της.** Εάν βραχυκυκλώσουν οι πόλοι της μπαταρίας μπορεί να προκληθούν εγκαύματα ή πυρκαγιά.
- δ. Υπό ακραίες συνθήκες, είναι δυνατή η διαρροή υγρού από την μπαταρία, με το οποίο πρέπει να αποφύγετε την επαφή. Σε περίπτωση κατά λάθος επαφής, ξεπλύνετε με νερό. Εάν το υγρό έρθει σε επαφή με τα μάτια, ζητήστε και ιατρική βοήθεια. Το υγρό που διαρρέει από την μπαταρία μπορεί να προκαλέσει ερεθισμούς ή εγκαύματα.**
- 6. Τεχνική εξυπηρέτηση**
- α. Εργασίες τεχνικής εξυπηρέτησης του ηλεκτρικού σας εργαλείου πρέπει να αναλαμβάνουν μόνο έμπειροι τεχνικοί και μόνο χρησιμοποιώντας γνήσια ανταλλακτικά.** Έτσι, εξασφαλίζεται η διατήρηση της ασφάλειας του ηλεκτρικού εργαλείου.

Συμπληρωματικές προειδοποιήσεις ασφαλείας για τα ηλεκτρικά εργαλεία



Προειδοποίηση! Συμπληρωματικές προειδοποιήσεις ασφαλείας για κατσαβίδια και κρουστικά εργαλεία

- ◆ Όταν χρησιμοποιείτε κρουστικά τρυπάνια, να φοράτε ωτοασπίδες. Η έκθεση σε θόρυβο μπορεί να προκαλέσει απώλεια της ακοής.
- ◆ Χρησιμοποιείτε τις βοηθητικές λαβές που παρέχονται μαζί με το εργαλείο. Η απώλεια ελέγχου μπορεί να προκαλέσει τραυματισμό.
- ◆ Κρατάτε το ηλεκτρικό εργαλείο από τις μονωμένες επιφάνειες συγκράτησης, όταν εκτελείτε κάποια εργασία κατά την οποία ο συνδετήρας μπορεί να έρθει σε επαφή με κρυμμένα καλώδια. Οι συνδετήρες που έρχονται σε επαφή με καλώδια υπό τάση μπορεί να καταστήσει και τα εκτεθειμένα μεταλλικά μέρη του ηλεκτρικού εργαλείου ηλεκτροφόρα και να προκαλέσει ηλεκτροπληξία στο χειριστή του.
- ◆ Χρησιμοποιείτε σφιγκτήρες ή άλλα πρακτικά μέσα για να ασφαλίσετε και να στηρίζετε το προς επεξεργασία αντικείμενο σε μια σταθερή βάση. Η συγκράτηση του κατεργαζόμενου τεμαχίου με το χέρι ή επάνω στο σώμα σας το καθιστά ασταθές και ενδέχεται να οδηγήσει σε απώλεια ελέγχου.

- ◆ Η ενδεδειγμένη χρήση περιγράφεται στο παρόν εγχειρίδιο οδηγιών. Η χρήση οποιουδήποτε αξεσουάρ ή προσαρτήματος ή η εκτέλεση με αυτό το εργαλείο οποιασδήποτε άλλης εργασίας, πέραν από αυτές που συνιστώνται στο παρόν εγχειρίδιο οδηγιών, ενδέχεται να εγκυμονεί κίνδυνο τραυματισμού ή/και υλικών ζημιών.



Προειδοποίηση! Τα κρουστικά κλειδιά δεν είναι ροπόκλειδα. Μη χρησιμοποιήσετε αυτό το εργαλείο για το σφίξιμο εξαρτημάτων με καθορισμένη ροπή. Μια ξεχωριστή, βαθμονομημένη συσκευή μέτρησης ροπής όπως ένα ροπόκλειδο θα πρέπει να χρησιμοποιηθεί όταν κάποιος σύνδεσμος ο οποίος έχει σφιχτεί είτε υπερβολικά είτε ελλιπώς μπορεί να οδηγήσει σε αστοχία μιας σύνδεσης.

Ασφάλεια τρίτων

- ◆ Αυτή η συσκευή δεν προορίζεται για χρήση από άτομα (στα οποία περιλαμβάνονται και τα παιδιά) με μειωμένες φυσικές, αντιληπτικές ή διανοητικές ικανότητες ή άτομα χωρίς εμπειρία και γνώσεις, παρά μόνο εφόσον επιτηρούνται ή τους έχουν δοθεί οδηγίες σχετικά με τη χρήση του εργαλείου από άτομο υπεύθυνο για την ασφάλειά τους.
- ◆ Τα παιδιά πρέπει να επιτηρούνται για να διασφαλίζεται ότι δεν παίζουν με το εργαλείο.

Αναπόφευκτοι κίνδυνοι.

Μπορεί να δημιουργηθούν επιπρόσθετοι αναπόφευκτοι κίνδυνοι όταν χρησιμοποιείτε το εργαλείο, οι οποίοι μπορεί να μην συμπεριλαμβάνονται στις προειδοποιήσεις ασφαλείας που εσωκλείονται. Αυτοί οι κίνδυνοι μπορεί να προκληθούν από κακή χρήση, παρατεταμένη χρήση κτλ. Ακόμα και με την τήρηση των σχετικών κανονισμών ασφαλείας και τη χρήση μέσων προστασίας, ορισμένοι κίνδυνοι δεν είναι δυνατό να εξαιρεθούν. Αυτοί περιλαμβάνουν:

- ◆ Τραυματισμούς από το άγγιγμα των περιστρεφόμενων/κινούμενων εξαρτημάτων.

- ◆ Τραυματισμούς από αλλαγή οποιωνδήποτε εξαρτημάτων, λεπίδων ή αξεσουάρ.
- ◆ Τραυματισμούς από παρατεταμένη χρήση του εργαλείου. Όταν χρησιμοποιείτε οποιοδήποτε εργαλείο για παρατεταμένες χρονικές περιόδους, βεβαιωθείτε ότι κάνετε τακτικά διαλείμματα.
- ◆ Προβλήματα ακοής.
- ◆ Κίνδυνοι στην υγεία που προκαλούνται από την εισπνοή σκόνης όταν χρησιμοποιείτε το εργαλείο (παράδειγμα:- όταν επεξεργάζεστε ξύλο, ειδικά δρυ, οξιά και MDF.)

Δόνηση

Η δηλωμένη τιμή εκπομπής δόνησης που αναφέρεται στα τεχνικά χαρακτηριστικά και τη δήλωση συμμόρφωσης έχει μετρηθεί σύμφωνα με μια τυποποιημένη μέθοδο δοκιμής που παρέχεται από το πρότυπο EN 60745 και μπορεί να χρησιμοποιηθεί για τη σύγκριση ενός εργαλείου με ένα άλλο. Η δηλωμένη τιμή εκπομπής δόνησης μπορεί επίσης να χρησιμοποιηθεί σε έναν προκαταρκτικό προσδιορισμό της έκθεσης.

Προειδοποίηση! Η τιμή εκπομπής δόνησης κατά την πραγματική χρήση του ηλεκτρικού εργαλείου μπορεί να διαφέρει από τη δηλωμένη τιμή, ανάλογα με το τρόπο που χρησιμοποιείται το εργαλείο. Η στάθμη δόνησης μπορεί να αυξηθεί πάνω από τη στάθμη που έχει δηλωθεί.

Κατά τον προσδιορισμό της έκθεσης σε δόνηση για τον καθορισμό των απαιτούμενων μέτρων ασφαλείας σύμφωνα με την οδηγία 2002/44/EK για την προστασία προσώπων που χρησιμοποιούν συχνά ηλεκτρικά εργαλεία στην εργασία τους, μια προσεγγιστική εκτίμηση της έκθεσης σε δόνηση πρέπει να λαμβάνει υπόψη τις πραγματικές συνθήκες χρήσης και τον τρόπο χρήσης του εργαλείου, συμπεριλαμβανομένων και όλων των επιμέρους τμημάτων του κύκλου εργασίας, όπως, πόσες φορές τέθηκε το εργαλείο εκτός λειτουργίας, τότε είναι σε λειτουργία χωρίς φορτίο και επιπρόσθετα ο χρόνος πίεσης της σκανδάλης.

Ετικέτες στο εργαλείο

Τα ακόλουθα σύμβολα εμφανίζονται στο εργαλείο:



Προειδοποίηση! Για να μειωθεί ο κίνδυνος τραυματισμού, ο χρήστης πρέπει να διαβάσει το εγχειρίδιο οδηγιών.

Συμπληρωματικές οδηγίες ασφαλείας για τις μπαταρίες και τους φορτιστές

Μπαταρίες

- ◆ Μην επιχειρήσετε ποτέ να ανοίξετε τις μπαταρίες για οποιονδήποτε λόγο.
- ◆ Μην εκθέτετε την μπαταρία σε νερό.
- ◆ Μην φυλάσσετε την μπαταρία σε χώρους όπου η θερμοκρασία μπορεί να υπερβεί τους 40 °C.
- ◆ Η φόρτιση πρέπει να γίνεται μόνο σε θερμοκρασίες περιβάλλοντος μεταξύ 10 °C και 40 °C.
- ◆ Η φόρτιση πρέπει να γίνεται μόνο με τους φορτιστές που παρέχονται μαζί με το εργαλείο.
- ◆ Κατά την απόρριψη των μπαταριών, να ακολουθείτε τις οδηγίες που παρέχονται στην ενότητα "Προστασία του περιβάλλοντος".

Φορτιστές

- ◆ Ο φορτιστής BLACK+DECKER πρέπει να χρησιμοποιείται αποκλειστικά και μόνο για τη φόρτιση της μπαταρίας του εργαλείου το οποίο συνοδεύει. Άλλες μπαταρίες μπορεί να εκραγούν, προκαλώντας τραυματισμό και ζημιές.
- ◆ Μην επιχειρείτε ποτέ να φορτίσετε μη επαναφορτιζόμενες μπαταρίες.
- ◆ Εάν κάποιο καλώδιο φθαρεί, αντικαταστήστε το αμέσως.
- ◆ Μην εκθέτετε το φορτιστή σε νερό.
- ◆ Μην ανοίγετε το φορτιστή.
- ◆ Μην επεμβαίνετε στο φορτιστή.



Ο φορτιστής προορίζεται για χρήση σε εσωτερικούς χώρους μόνο.



Διαβάστε το εγχειρίδιο οδηγιών πριν από τη χρήση.



Μονωτικός μετασχηματιστής εξασφαλισμένης λειτουργίας. Η τροφοδοσία του δικτύου είναι ηλεκτρικά διαχωρισμένη από την έξοδο του μετασχηματιστή.



Ο φορτιστής απενεργοποιείται αυτόματα όταν η θερμοκρασία περιβάλλοντος ανέβει υπερβολικά. Το αποτέλεσμα είναι ο φορτιστής να μην λειτουργεί κανονικά. Η μονάδα πρέπει να αποσυνδεθεί από την πρίζα και να μεταφερθεί σε εξουσιοδοτημένο κέντρο για επισκευή.

Ασφαλής χρήση ηλεκτρικού ρεύματος



Ο φορτιστής σας φέρει διπλή μόνωση, επομένως δεν απαιτείται σύρμα γείωσης. Ελέγχετε πάντα ότι η τάση τροφοδοσίας αντιστοιχεί σε αυτήν που αναγράφεται στην πινακίδα τεχνικών χαρακτηριστικών. Ποτέ μην επιχειρείτε να αντικαταστήσετε τη μονάδα φορτιστή με έναν κανονικό ρευματολήπτη.

- ◆ Αν το καλώδιο τροφοδοσίας είναι κατεστραμμένο, πρέπει να αντικατασταθεί από τον κατασκευαστή ή εξουσιοδοτημένο κέντρο τεχνικής υποστήριξης BLACK+DECKER για την αποφυγή κινδύνου.

Προειδοποίηση! Ποτέ μην επιχειρείτε να αντικαταστήσετε τη μονάδα φορτιστή με έναν κανονικό ρευματολήπτη.

Λειτουργίες

Αυτό το εργαλείο διαθέτει μερικά από ή όλα τα παρακάτω χαρακτηριστικά.

1. Διακόπτης λειτουργίας
2. Ολισθητήρας κίνησης προς τα εμπρός/πίσω
3. Υποδοχή μύτης
4. Φως εργασίας LED
5. Φορτιστής
6. Βύσμα φορτιστή
7. Σύνδεσμος φόρτισης

Συναρμολόγηση

Τοποθέτηση και αφαίρεση μιας μύτης τρυπανιού ή κατσαβιδιού (εικ. Β)

Αυτό το εργαλείο χρησιμοποιεί μύτες κατσαβιδιού και τρυπανιού με εξαγωνικό κορμό 6.35 χιλ. (1/4").

- ◆ Για να τοποθετήσετε μια μύτη, εισαγάγετε τον κορμό της μύτης στην υποδοχή μύτης (3).
- ◆ Για να αφαιρέσετε μια μύτη, τραβήξτε τον κορμό της μύτης έξω από την υποδοχή μύτης (3).

Σημείωση: Το δεξιό υπό γωνία εξάρτημα που φαίνεται στην εικ. E-J ενδέχεται να μην περιλαμβάνεται στη συσκευασία του εργαλείου σας.

Χρήση

Προειδοποίηση! Αφήστε το εργαλείο να λειτουργήσει με το δικό του ρυθμό. Μην υπερφορτώνετε.

- ◆ Πριν από την πρώτη χρήση, η μπαταρία θα πρέπει να έχει φορτιστεί για 15 ώρες τουλάχιστον.

Φόρτιση της μπαταρίας (εικ. C)

- ◆ Εισαγάγετε το βύσμα του φορτιστή (6) στην υποδοχή του φορτιστή (7).
- ◆ Βάλτε το φορτιστή (5) στην πρίζα.
- ◆ Αφήστε το εργαλείο συνδεδεμένο με το φορτιστή για 15 ώρες.

Ο φορτιστής μπορεί να προκαλεί κάποιο βόμβο και να θερμαίνεται κατά τη φόρτιση. Κάτι τέτοιο είναι φυσιολογικό και δεν υποδηλώνει πρόβλημα.

Προειδοποίηση! Η φόρτιση πρέπει να γίνεται μόνο με το φορτιστή που παρέχεται μαζί με το CS3651LC.

Προειδοποίηση! Μην φορτίζετε την μπαταρία σε θερμοκρασίες περιβάλλοντος κάτω από 10 °C ή πάνω από 40 °C.

Επιλογή της κατεύθυνσης περιστροφής (εικ. D)

Για διάτρηση και για να σφίγγετε βίδες, χρησιμοποιήστε την προς τα εμπρός περιστροφή. Για χαλάρωμα βιδών και για αφαίρεση μύτης τρυπανιού που έχει κολλήσει χρησιμοποιήστε την ανάστροφη περιστροφή.

- ◆ Για επιλογή της προς τα εμπρός περιστροφής, πιέστε τον ολισθητήρα κίνησης προς τα εμπρός/πίσω (2) στη θέση εμπρός.
- ◆ Για επιλογή της προς τα πίσω περιστροφής, πιέστε τον ολισθητήρα κίνησης προς τα εμπρός/πίσω (2) στη θέση πίσω.
- ◆ Για να ασφαλίσετε το εργαλείο, θέστε τον ολισθητήρα κίνησης προς τα εμπρός/πίσω στην κεντρική θέση.

Διάτρηση/βίδωμα

- ◆ Επιλέξτε περιστροφική κίνηση προς τα εμπρός ή πίσω χρησιμοποιώντας τον ολισθητήρα κίνησης προς τα εμπρός/πίσω (2).
- ◆ Για να ενεργοποιήσετε το εργαλείο, πατήστε το διακόπτη λειτουργίας (1).
- ◆ Για να απενεργοποιήσετε το εργαλείο, απελευθερώστε το διακόπτη λειτουργίας (1).

Φως εργασίας LED

Το φως εργασίας LED (4) ενεργοποιείται αυτόματα όταν πιέζεται η σκανδάλη. Η λυχνία LED επίσης θα ανάψει όταν πιεστεί η σκανδάλη και ο ολισθητήρας κίνησης προς τα εμπρός/πίσω (2) βρίσκεται στη θέση κλειδώματος (κεντρική θέση).

Συμβουλές για άριστη χρήση

Βίδωμα

- ◆ Χρησιμοποιείτε πάντα μύτες κατσαβιδιού του κατάλληλου τύπου και μεγέθους.
- ◆ Εάν συναντήσετε δυσκολία κατά τη σύσφιγξη βιδών, δοκιμάστε να τις περάσετε με μια μικρή ποσότητα υγρού πλυσίματος ή σαπουνιού ως λιπαντικό.
- ◆ Χρησιμοποιήστε τη δυνατότητα ασφάλισης ατράκτου για να χαλαρώσετε πολύ σφικτές βίδες ή για να σφίξετε πολύ βίδες.
- ◆ Πάντοτε να κρατάτε το εργαλείο και τη μύτη του κατσαβιδιού σε ευθεία γραμμή με τη βίδα.

- ◆ Κατά το βίδωμα σε ξύλο, σας συνιστούμε να ανοίγετε πρώτα μια καθοδηγητική οπή με βάθος ίσο με το μήκος της βίδας. Η καθοδηγητική οπή κατευθύνει τη βίδα και εμποδίζει το σχίσιμο ή την παραμόρφωση του ξύλου. Για το βέλτιστο μέγεθος της καθοδηγητικής οπής, ανατρέξτε στον παρακάτω πίνακα.
- ◆ Κατά το βίδωμα σε σκληρό ξύλο, σας συνιστούμε επίσης να ανοίγετε πρώτα μια οπή ανοχής, με βάθος ίσο με το μισό του μήκους της βίδας. Για το βέλτιστο μέγεθος της οπής ανοχής, ανατρέξτε στον παρακάτω πίνακα.

Μέγεθος βίδας	Καθοδηγητική οπή \varnothing (μαλακό ξύλο)	Καθοδηγητική οπή \varnothing (σκληρό ξύλο)	Οπή ανοχής
No. 6 (3.5 mm)	2.0 mm	2.5 mm	3.6 mm
No. 8 (4 mm)	2.5 mm	3.0 mm	4.5 mm
No. 10 (5 mm)	3.0 mm	3.5 mm	5.0 mm

Καθοδηγητικές οπές διάτρησης

- ◆ Πάντοτε εφαρμόζετε ελαφριά πίεση σε ευθεία με τη μύτη του τρυπανιού.
- ◆ Μόλις πριν η μύτη του τρυπανιού διαπεράσει την απέναντι πλευρά του κατεργαζόμενου τεμαχίου, μειώστε την πίεση στο εργαλείο.
- ◆ Χρησιμοποιήστε ένα κομμάτι ξύλο στην πίσω επιφάνεια κατεργαζόμενων τεμαχίων που μπορεί να σχιστούν.
- ◆ Με μια πόντα, σημαδέψτε με μια εγκοπή το κέντρο της οπής που θα διατρηθεί προκειμένου να βελτιωθεί η ακρίβεια.

Εξαρτήματα

Η απόδοση του εργαλείου σας εξαρτάται από το αξεσουάρ που χρησιμοποιείται. Τα αξεσουάρ BLACK+DECKER και Piranha έχουν κατασκευαστεί μηχανικά με πρότυπα υψηλής ποιότητας και είναι σχεδιασμένα για να ενισχύουν την απόδοση του εργαλείου σας. Χρησιμοποιώντας αυτά τα αξεσουάρ, θα εξασφαλίσετε την καλύτερη δυνατή απόδοση του εργαλείου σας.

Αυτό το εργαλείο χρησιμοποιεί μύτες κατσαβιδιού με εξαγωνικό κορμό 1/4" (6.35 mm). Τα αξεσουάρ Piranha Super-lok είναι σχεδιασμένα για χρήση μ' αυτό το εργαλείο.

Συντήρηση

Το εργαλείο BLACK+DECKER έχει σχεδιαστεί, έτσι ώστε να λειτουργεί για μεγάλο χρονικό διάστημα με την ελάχιστη δυνατή συντήρηση. Η αδιάλειπτη και ικανοποιητική λειτουργία εξαρτάται από τη σωστή φροντίδα του εργαλείου και τον τακτικό καθαρισμό του.

Ο φορτιστής σας δεν απαιτεί κάποια συντήρηση εκτός του τακτικού καθαρισμού.

Προειδοποίηση! Προτού πραγματοποιήσετε κάποια συντήρηση στο εργαλείο, αποσυνδέστε το φορτιστή προτού τον καθαρίσετε.

- ◆ Να καθαρίζετε τακτικά τις εγκοπές εξαιρισμού του εργαλείου και του φορτιστή με μια μαλακή βούρτσα ή με ένα στεγνό πανί.
- ◆ Να καθαρίζετε τακτικά το περίβλημα του μοτέρ με υγρό πανί. Μην χρησιμοποιείτε λειαντικά ή υγρά καθαρισμού που περιέχουν διαλυτικά.
- ◆ Να ανοίγετε τακτικά το τσοκ και να το χτυπάτε ελαφρά για να αφαιρείται η σκόνη από το εσωτερικό του.

Προστασία του περιβάλλοντος



Επιλεκτική περισυλλογή. Αυτό το προϊόν δεν πρέπει να απορρίπτεται μαζί με τα συνήθη οικιακά απορρίμματα.

Εάν κάποια μέρα διαπιστώσετε ότι το προϊόν σας BLACK+DECKER χρειάζεται αντικατάσταση ή ότι δεν το χρειάζεστε άλλο, μην το απορρίψετε μαζί με τα κοινά οικιακά απορρίμματα, αλλά διαθέστε αυτό το προϊόν για ξεχωριστή περισυλλογή.



Η ξεχωριστή περισυλλογή των μεταχειρισμένων προϊόντων και των υλικών συσκευασίας επιτρέπει την ανακύκλωση και επαναχρησιμοποίηση των υλικών.

Με την επαναχρησιμοποίηση των ανακυκλωμένων υλικών αποτρέπεται η μόλυνση του περιβάλλοντος και μειώνεται η ζήτηση πρώτων υλών.

Οι κανονισμοί που ισχύουν στην περιοχή σας ενδέχεται να προβλέπουν την ξεχωριστή περισυλλογή των ηλεκτρικών συσκευών που προέρχονται από νοικοκυριά σε δημοτικές εγκαταστάσεις ή από τον έμπορο όταν αγοράσετε ένα καινούργιο προϊόν.

Η BLACK+DECKER δίνει τη δυνατότητα ανακύκλωσης των προϊόντων της BLACK+DECKER που έχουν συμπληρώσει τη διάρκεια ζωής τους. Για να χρησιμοποιήσετε αυτήν την υπηρεσία, επιστρέψτε το προϊόν σας σε οποιοδήποτε εξουσιοδοτημένο κέντρο επισκευών, όπου θα το παραλάβουν εκ μέρους μας.

Ενημερωθείτε για το πλησιέστερο εξουσιοδοτημένο κέντρο επισκευών της περιοχής σας, επικοινωνώντας με τα γραφεία της BLACK+DECKER στη διεύθυνση που αναγράφεται στο εγχειρίδιο. Επίσης, μια λίστα με τα εξουσιοδοτημένα κέντρα επισκευών BLACK+DECKER και πλήρεις λεπτομέρειες για τις υπηρεσίες που παρέχονται μετά την πώληση, καθώς και στοιχεία επικοινωνίας υπάρχουν στο διαδίκτυο, στη διεύθυνση: www.2helpU.com

Μπαταρίες



Τα εξαρτήματα στο εσωτερικό δεν επιδέχονται επισκευή από τον χρήστη.

- ♦ Στο τέλος της διάρκειας ζωής του προϊόντος, επιστρέψτε ολόκληρη τη μονάδα στον αντιπρόσωπο σέρβις ή σε τοπικό σταθμό ανακύκλωσης, για την ανακύκλωση της μπαταρίας. Η μονάδα δεν πρέπει να απορρίπτεται μαζί με τα οικιακά απορρίμματα.

Τεχνικά χαρακτηριστικά

CS351LC (H1)		
Τάση	V_{DC}	3.6
Ταχύτητα χωρίς φορτίο	min^{-1}	180
Σκληρή μέγιστη ροπή	Nm	5.84
Μέγ. ροπή	Nm	5.0
Υποδοχή μύτης	mm	6.35 (1/4")
Βάρος	kg	0.32

Μπαταρία 906146** H1		
Τάση	V	3.6
Τύπος μπαταρίας		Ιόντων λιθίου
Ονομαστική τιμή AHR		1.5

Φορτιστής 905450** H1		
Τάση	V_{AC}	230
Χρόνος φόρτισης κατά προσέγγιση	h	15
Βάρος	kg	0.14

Στάθμη ηχητικής πίεσης σύμφωνα με το πρότυπο EN 60745:
Ηχητική πίεση (L_{pA}) 60 dB(A), αβεβαιότητα (K) 3 dB(A)
Ηχητική Ισχύς (L_{WA}) 71 dB(A), αβεβαιότητα (K) 3 dB(A)

Οι συνολικές τιμές δόνησης (διανυσματικό άθροισμα τριών αξόνων) κατά EN 60745:
Βίδωμα χωρίς κρούση ($a_{h,IS}$) 0.3 m/s^2 , αβεβαιότητα (K) 1.5 m/s^2

Δήλωση συμμόρφωσης ΕΚ

ΟΔΗΓΙΑ ΠΕΡΙ ΜΗΧΑΝΗΜΑΤΩΝ



CS3651LC

Η Black & Decker δηλώνει ότι τα προϊόντα αυτά που περιγράφονται στα "τεχνικά χαρακτηριστικά"

συμμορφώνονται με τα ακόλουθα:

2006/42/ΕΚ, EN 60745-1, EN 60745-2-2

Αυτά τα προϊόντα συμμορφώνονται επίσης με την οδηγία 2014/30/ΕΕ και 2011/65/ΕΕ. Για περισσότερες πληροφορίες, επικοινωνήστε με την Black & Decker στην παρακάτω διεύθυνση ή να ανατρέξετε στο πίσω μέρος του εγχειριδίου.

Ο κάτωθι υπογεγραμμένος είναι υπεύθυνος για την κατάρτιση του τεχνικού φακέλου και δηλώνει τα παρόντα εκ μέρους της Black & Decker.

R. Laverick
Υπεύθυνος Σχεδιασμού
Black & Decker Europe, 210 Bath Road, Slough,
Berkshire, SL1 3YD
United Kingdom
23/10/2014

Εγγύηση

Η Black & Decker είναι σίγουρη για την ποιότητα των προϊόντων της και παρέχει εξαιρετική εγγύηση. Η παρούσα γραπτή εγγύηση αποτελεί πρόσθετο δικαίωμά σας και δεν ζημιώνει τα νόμιμα δικαιώματά σας. Η εγγύηση ισχύει εντός της επικράτειας των Κρατών Μελών της Ευρωπαϊκής Ένωσης και της Ευρωπαϊκής Ζώνης Ελευθέρων Συναλλαγών.

Σε περίπτωση που κάποιο προϊόν της Black & Decker παρουσιάσει βλάβη εξαιτίας ελαττωματικών υλικών, ποιότητας εργασίας ή έλλειψης συμφωνίας με τις προδιαγραφές εντός 24 μηνών από την ημερομηνία αγοράς, η Black & Decker εγγυάται την αντικατάσταση των ελαττωματικών τμημάτων, την επισκευή προϊόντων που έχουν υποστεί εύλογη φθορά λόγω χρήσης ή την αντικατάσταση των προϊόντων προκειμένου να εξασφαλίσει την ελάχιστη ενόχληση στους πελάτες της, εκτός εάν:

- ◆ Το προϊόν έχει χρησιμοποιηθεί σε εργασιακό, επαγγελματικό περιβάλλον ή έχει ενοικιαστεί.
- ◆ Έχει γίνει εσφαλμένη χρήση του προϊόντος ή έχει παραμεληθεί.
- ◆ Το προϊόν έχει υποστεί βλάβη από άλλα αντικείμενα, από ουσίες ή λόγω ατυχήματος.
- ◆ Έχει γίνει προσπάθεια επισκευής από μη εξουσιοδοτημένα κέντρα επισκευών ή από τεχνικούς που δεν ανήκουν στο προσωπικό της Black & Decker.

Για να ισχύσει η εγγύηση, πρέπει να υποβάλετε απόδειξη αγοράς στον πωλητή ή το εξουσιοδοτημένο κέντρο επισκευών. Ενημερωθείτε για το πλησιέστερο εξουσιοδοτημένο κέντρο επισκευών της περιοχής σας, επικοινωνώντας με τα γραφεία της Black & Decker στη διεύθυνση που αναγράφεται στο εγχειρίδιο. Επίσης, μια λίστα με τα εξουσιοδοτημένα κέντρα επισκευών της Black & Decker και πλήρεις λεπτομέρειες για τις υπηρεσίες που παρέχονται μετά την πώληση, καθώς και στοιχεία επικοινωνίας υπάρχουν στο Διαδίκτυο, στη διεύθυνση: www.2helpU.com

Επισκεφθείτε την ιστοσελίδα μας www.blackanddecker.gr για να καταχωρίσετε το νέο σας προϊόν BLACK+DECKER και για να ενημερώνεστε για τα νέα προϊόντα και τις ειδικές προσφορές. Περισσότερες πληροφορίες σχετικά με τη μάρκα BLACK+DECKER και τη σειρά των προϊόντων μας θα βρείτε στη διεύθυνση www.blackanddecker.gr.

België/Belgique/Luxembourg www.blackanddecker.be enduser.be@sbdinc.com	Stanley Black & Decker Belgium BVBA Egide Walschaertsstraat 16 2800 Mechelen	Tel. NL +32 15 47 37 65 Tel. FR +32 15 47 37 66 Fax. +32 15 47 37 99
Danmark	Black & Decker Roskildevej 22 2620 Albertslund	kundeservice.dk@sbdinc.com www.blackanddecker.dk
Deutschland www.blackanddecker.de infobfge@sbdinc.com	Stanley Black & Decker Deutschland GmbH Black & Decker Str. 40, D - 65510 Idstein	Tel. 06126 21-0 Fax 06126 21-2980
Ελλάδα www.blackanddecker.gr greece.service@sbdinc.com	Stanley Black & Decker (ΕΛΛΑΣ) Ε.Π.Ε ΓΡΑΦΕΙΑ: Στράβωνος 7 & Βουλιαγμένης 166 74 Γλυφάδα - Αθήνα	Τηλ. 210-8981616 Φαξ 210-8983570
SERVICE:	Ημερος Τόπος 2 -Χάνι Αδάμ 193 00 Ασπρόπυργος - Αθήνα	Τηλ. Service 210-8985208 Φαξ 210-5597598
España www.blackanddecker.es respuesta.posventa@sbdinc.com	Stanley Black & Decker Ibérica, S.C.A. Parc de Negocis "Mas Blau" Edificio Muntadas, c/Bergadá, 1, Of. A6 08820 El Prat de Llobregat (Barcelona)	Tel. 934 797 400 Fax 934 797 419
France www.blackanddecker.fr	Black & Decker (France) S.A.S. 5 allée des Hêtres B.P. 30084 69579 Limonest Cédex	Tel. 04 72 20 39 20 Fax 04 72 20 39 00
Helvetia www.blackanddecker.ch service@rofoag.ch	ROFO AG Gewerbezone Seeblick 3213 Kleinbödingen	Tel. 026-6749393 Fax 026-6749394
Italia www.blackanddecker.it service.italia@sbdinc.com	Stanley Black & Decker Italia Via Energypark 6 20871 Vimercate (MB)	Tel. 039-9590200 Fax 039-9590313 Numero verde 800-213935
Nederland www.blackanddecker.nl enduser.nl@sbdinc.com	Stanley Black & Decker Netherlands BV Holtum Noordweg 35, 6121 RE BORN Postbus 83, 6120 AB BORN	Tel. +31 164 283 065 Fax +31 164 283 200
Norge	Black & Decker Postboks 4613, Nydalen 0405 Oslo	kundeservice.no@sbdinc.com www.blackanddecker.no
Österreich www.blackanddecker.at service.austria@sbdinc.com	Stanley Black & Decker Austria GmbH Oberlaaerstraße 248, A-1230 Wien	Tel. 01 66116-0 Fax 01 66116-614
Portugal www.blackanddecker.pt resposta.posvenda@sbdinc.com	Black & Decker Limited SARL Quinta da Fonte - Edifício Q55 D. Diniz Rua dos Malhões, 2 e 2A - Piso 2 Esquerdo 2770 - 071 Paço de Arcos	Tel. 214667500 Fax 214667580
Suomi	Black & Decker PL47 00521, Helsinki	asiakaspalvelu.fi@sbdinc.com www.blackanddecker.fi
Sverige	Black & Decker AB Box 94, 431 22 Mölndal	kundservice.se@sbdinc.com www.blackanddecker.se
Türkiye www.blackanddecker.com.tr	KALE Hırdavat ve Makina A.Ş. Defterdar Mah. Savaklar Cad. No:15 Edirnekapı / Eyüp / İstanbul 34050	Tel. 0212 533 52 55 Fax. 0212 533 10 05
United Kingdom & Republic Of Ireland www.blackanddecker.co.uk emeaservice@sbdinc.com	Black & Decker 210 Bath Road Slough, Berkshire SL1 3YD	Tel. 01753 511234 Fax 01753 512365
Middle East & Africa www.blackanddecker.ae service.mea@sbdinc.com	Black & Decker P.O.Box - 17164 Jebel Ali Free Zone (South), Dubai, UAE	Tel. +971 4 8863030 Fax +971 4 8863333